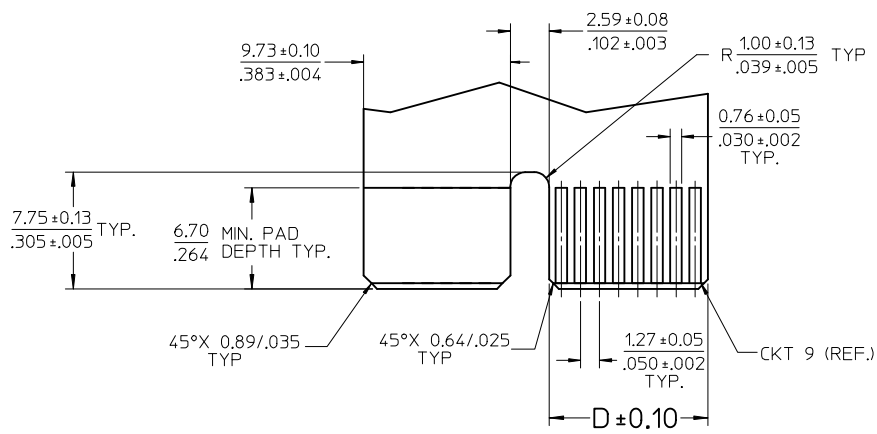
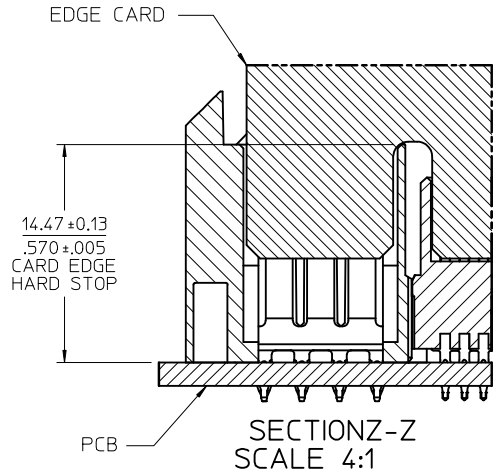
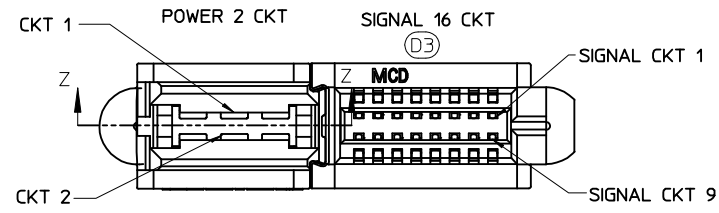


MATERIAL # 46114-2161 SHOWN

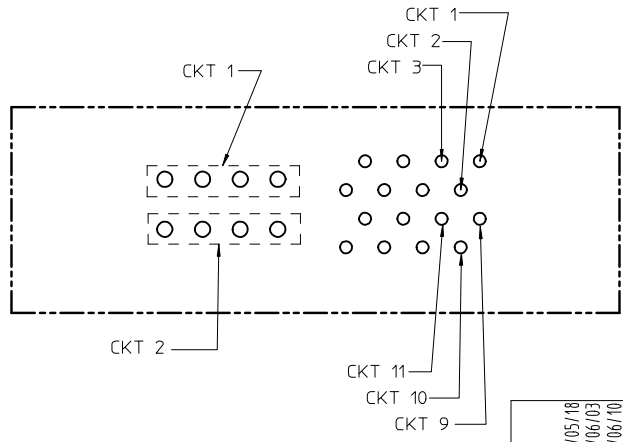
NO OF SIGNALS	MATERIAL NUMBER	COMPLIANT PIN PLATING	DIM A	DIM B	DIM C
12	46114-2121	TIN	23.34/.919	23.88/.940	2.69/.106
16	46114-2161	TIN	25.88/1.019	26.42/1.040	
20	46114-2201	TIN	28.42/1.119	28.96/1.140	
24	46114-2241	TIN	30.96/1.219	31.50/1.240	
28	46114-2281	TIN	33.50/1.319	34.04/1.340	
32	46114-2321	TIN	36.04/1.419	36.58/1.440	
36	46114-2361	TIN	38.58/1.519	39.12/1.540	
40	46114-2401	TIN	41.12/1.619	41.66/1.640	

UPDATE LOGO EC NO: S2016-10044 DRW: NALIN06 CHKD: JZENG APPR: KHLIM D3	2016/05/18 2016/06/03 2016/06/10	DESCRIPTION REV	QUALITY SYMBOLS	GENERAL TOLERANCES (UNLESS SPECIFIED)	DIMENSION STYLE MM/IN	SCALE 2:1	DESIGN UNITS METRIC	THIRD ANGLE PROJECTION
				4 PLACES ± --- ± --- 3 PLACES ± --- ± .010 2 PLACES ± 0.25 ± --- 1 PLACE ± --- ± ---	DRAWN BY: MKARADIMAS CHECKED BY: APATEL APPROVED BY: JCOMERCI	DATE: 07/23/07 DATE: 07/25/07 DATE: 2009/12/03	TITLE LPH VERTICAL RECEPTACLE ASSEMBLY 2 CIRCUIT PWR CONNECTOR, PRESS FIT	
				ANGULAR ±1/2°	MATERIAL NO. SEE CHART	MOLEX INCORPORATED		
			DRAFT WHERE APPLICABLE MUST REMAIN WITHIN DIMENSIONS	SIZE C	DOCUMENT NO. SD-46114-200	SHEET NO. 2 3		

NO OF SIGNAL	DIM. D
12	8.00/.315
16	10.54/.415
20	13.08/.515
24	15.62/.615
28	18.16/.715
32	20.70/.815
36	23.24/.915
40	25.78/1.015



RECOMMENDED EDGE CARD LAYOUT
 EDGE CARD THICKNESS: 1.57/.062 ± 0.15/.006
 PLATING: GOLD 30 μ INCHES MIN.
 OVER 150 μ INCHES NICKEL.



PCB LAYOUT: COMPONENT SIDE
 SEE SHT 1 FOR DIMENSIONS.

UPDATE LOGO IEC NO: S2006/04/15 DRWN: ALIN06 CHKD: JZENG APPR: KHLIM 2016/05/18 2016/06/03 2016/06/10	DESCRIPTION D3	GENERAL TOLERANCES (UNLESS SPECIFIED)		DIMENSION STYLE MM/IN		SCALE 4:1	DESIGN UNITS METRIC	THIRD ANGLE PROJECTION			
		4 PLACES ± --- ± ---	3 PLACES ± --- ± .010	2 PLACES ± .25 ± ---	1 PLACE ± --- ± ---	DRAWN BY MKARADIMAS	DATE 07/23/07	TITLE LPH VERTICAL RECEPTACLE ASSEMBLY 2 CIRCUIT PWR CONNECTOR, PRESS FIT			
		ANGULAR ± 1/2°				APPROVED BY JCOMERC I	DATE 2009/12/03	MOLEX INCORPORATED			
		DRAFT WHERE APPLICABLE MUST REMAIN WITHIN DIMENSIONS		SEE CHART		MATERIAL NO. SD-46114-200		DOCUMENT NO.		SHEET NO. 3 OF 3	