

THIS DRAWING IS UNPUBLISHED. RELEASED FOR PUBLICATION
 © COPYRIGHT - By - ALL RIGHTS RESERVED.

EC	LOC	DIST	REVISIONS					
CPR	-	-	P	LTR	DESCRIPTION	DATE	DWN	APVD
				A1	REVISED PER ECO-11-005150	21MAR11	RK	HMR

TYPICAL SPECIFICATION TABLE				
POSITION	CONTACT SIZE	RATING	NOM INSERTION FORCE	NOM EXTRACTION FORCE
39 - 40	#4	125A/250 VOLTS	3.8Lbs/1.72Kg	3.0Lbs/1.36Kg
7 - 38	#20	5A/250 VOLTS	.2Lbs/.09Kg	.1Lbs/.05Kg
1 - 6	#12	35A/250 VOLTS	2.9Lbs/1.32Kg	1.9Lbs/.86Kg

- 8. REFERENCE ELCON PART NUMBER 241-27-01100.
- 7. SEE DRAWING C-1648156 FOR MATING SOCKET CONNECTOR.
- 6. ITEMS PROVIDED TO THIS SPECIFICATION TO BE PERMANENTLY IDENTIFIED PER THE FOLLOWING IDENTIFIER:



- 5. ALL DIMENSIONS SHOWN ACROSS A CENTERLINE (C) SHALL BE CENTRALIZED WITHIN THE TOLERANCE INDICATED FOR THAT DIMENSION.
- 4. A REFERENCE DIMENSION (.XXX) IS WITHOUT TOLERANCE AND USED FOR INFORMATION PURPOSE ONLY.

- 3. RECOMMENDED MOUNTING HARDWARE: TO BE ORDERED SEPARATELY.
 - FOR PANEL MOUNTING, USE
 - 1650402-1: SHOULDER SCREW, #8-32
 - 1650106-1: SHOULDER SCREW, #6-32
 - 1650589-1: SHOULDER SCREW, M4X0.7
 - FOR PCB MOUNTING, USE COMMERCIALY AVAILABLE SCREW AND WASHER (IF REQUIRED).

- 2. MATERIALS:
 - HOUSING: THERMOPLASTIC, GLASS REINFORCED, COLOR-BLACK UL94V-0 FLAMMABILITY RATED.
 - RETENTION CLIP: COPPER ALLOY OR STAINLESS STEEL

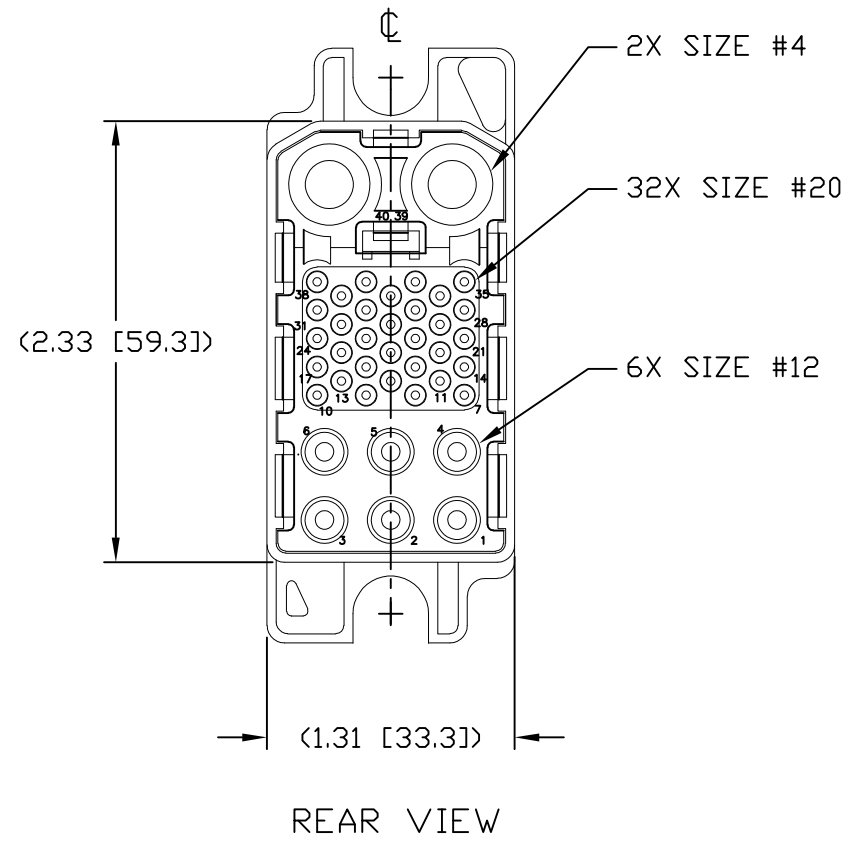
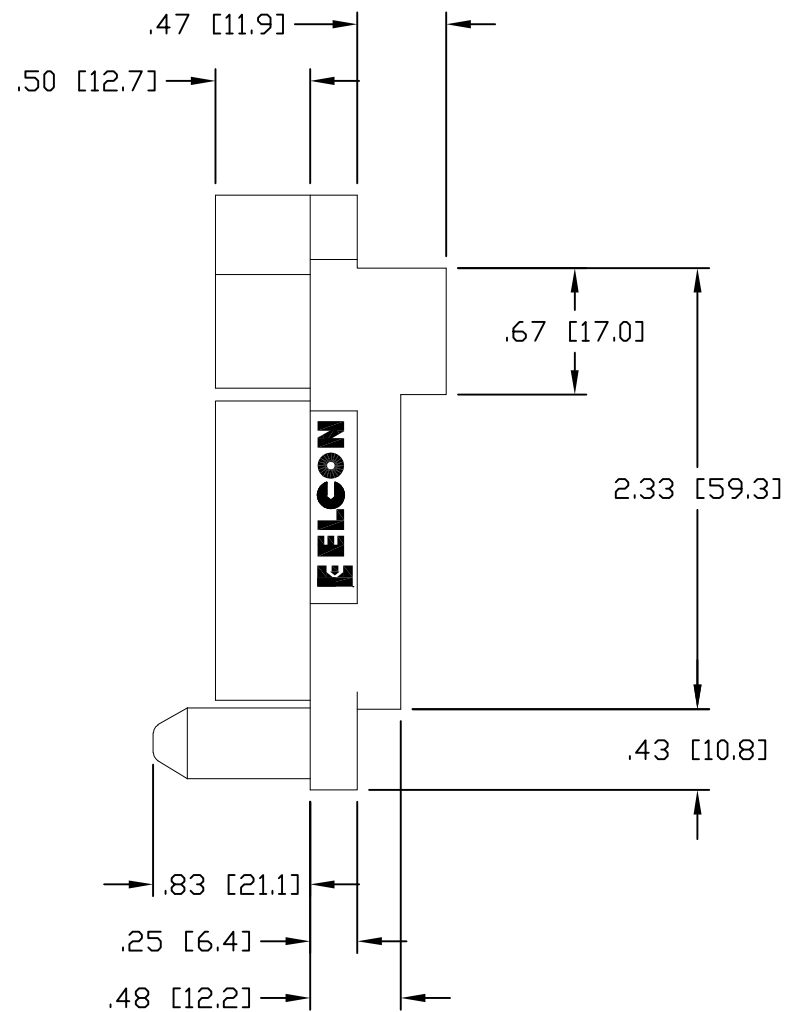
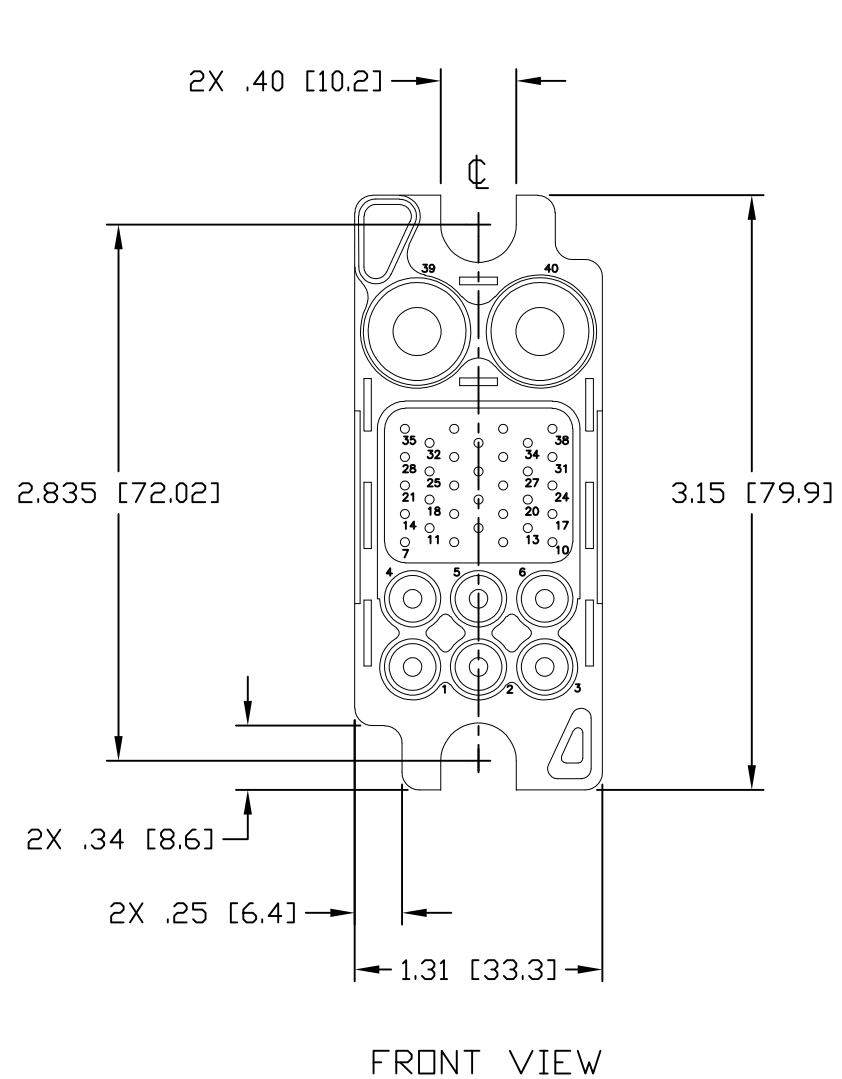
- 1. PART NUMBER CHANGES AND OR DESIGN CHANGES AFFECTING ITEM INTERCHANGEABILITY REQUIRE PRIOR TE CONNECTIVITY APPROVAL AND AUTHORIZATION BY REVISION TO THIS DRAWING.

NOTES: UNLESS OTHERWISE SPECIFIED

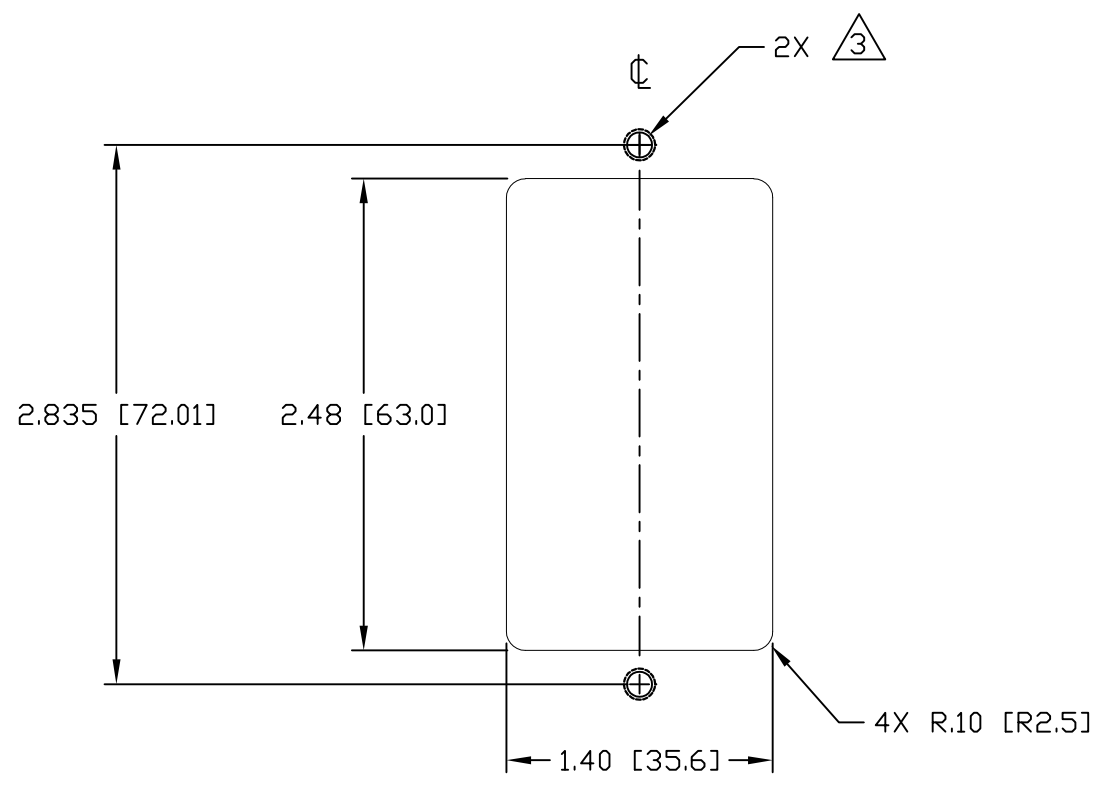
1648151-1	AS SHOWN
PART NUMBER	DESCRIPTION

THIS DRAWING IS A CONTROLLED DOCUMENT.		DWN	03/25/06		TE Connectivity	
		CHK	-			
DIMENSIONS:	TOLERANCES UNLESS OTHERWISE SPECIFIED:	APVD	03/25/06		NAME	
INCH(MM)				STEVE FLICKINGER		
				PRODUCT SPEC		
		APPLICATION SPEC			CONNECTOR, PIN HOUSING 2X#4, 32X#20, 6X#12, FLOAT MOUNT 125A MIDDLE DRAWER	
MATERIAL	FINISH	WEIGHT	SIZE	CAGE CODE	DRAWING NO	RESTRICTED TO
-	-	-	A3	00779	C-1648151	-
CUSTOMER DRAWING				SCALE	SHEET	REV
				1:1	1 OF 3	A1

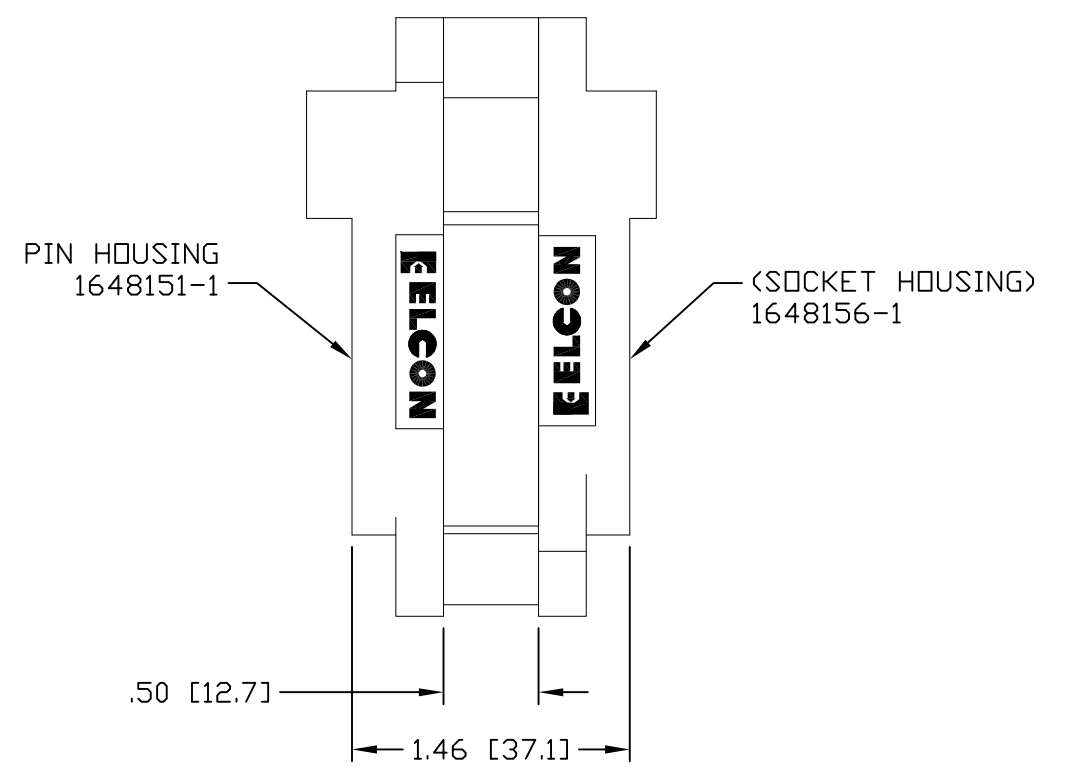
THIS DRAWING IS UNPUBLISHED.		RELEASED FOR PUBLICATION		EC	LOC	DIST	REVISIONS					
© COPYRIGHT - By -		ALL RIGHTS RESERVED.					P	LTR	DESCRIPTION	DATE	DWN	APVD
									SEE SHEET 1			



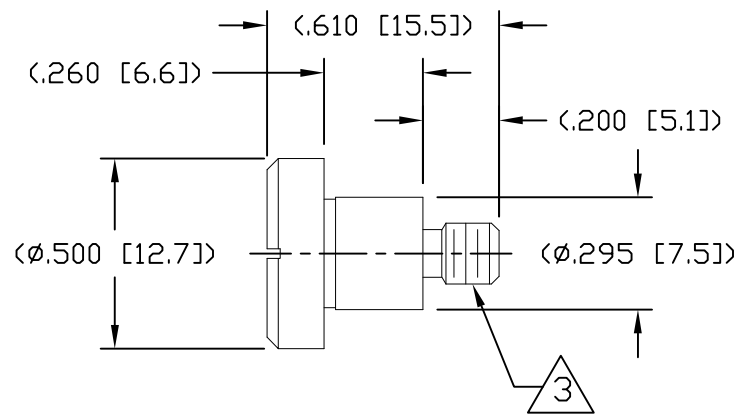
THIS DRAWING IS A CONTROLLED DOCUMENT.		DWN	HA NGUYEN		03/25/06	STE TE Connectivity	
DIMENSIONS: INCH(MM)		CHK	-				
TOLERANCES UNLESS OTHERWISE SPECIFIED:		APVD	STEVE FLICKINGER		03/25/06	NAME	
0 PLC ± -		PRODUCT SPEC	-			CONNECTOR, PIN HOUSING	
1 PLC ± -		APPLICATION SPEC	-			2X#4, 32X#20, 6X#12, FLOAT MOUNT	
2 PLC ± 0.02(0.3)			-			125A MIDDLE DRAWER	
3 PLC ± 0.010(0.25)		WEIGHT	-			SIZE	CAGE CODE
4 PLC ± -			-			A3	00779
ANGLES ± 0.5°			-			DRAWING NO	RESTRICTED TO
MATERIAL	FINISH		-			C-1648151	-
CUSTOMER DRAWING		SCALE	1:1		SHEET	2 OF 3	
					REV	A1	



RECOMMENDED PANEL CUTOUT
AS VIEWED FROM CONNECTOR MOUNTING SIDE
(FRONT VIEW)



MATED CONDITION



SHOULDER SCREW
SCALE 2:1
SHOWN FOR REFERENCE ONLY

THIS DRAWING IS A CONTROLLED DOCUMENT.		DWN HA NGUYEN	03/25/06	STE TE Connectivity		
DIMENSIONS: INCH(MM)		CHK -	-			
		TOLERANCES UNLESS OTHERWISE SPECIFIED:		USER INFORMATION RECOMMENDED PANEL CUTOUT AND MATED CONDITION		
		0 PLC ± - 1 PLC ± - 2 PLC ± 0.02(0.3) 3 PLC ± 0.010(0.25) 4 PLC ± - ANGLES ± 0.5°				
MATERIAL -		FINISH -		APVD STEVE FLICKINGER	03/25/06	NAME
				PRODUCT SPEC -		
				APPLICATION SPEC -		
				WEIGHT -	SIZE A3	CAGE CODE 00779
				DRAWING NO C-1648151		RESTRICTED TO -
CUSTOMER DRAWING				SCALE 1:1	SHEET 3 OF 3	REV A1