



MADE
IN THE USA

Product Description:

- Face Mask Dispenser - Shield
- Holds one box of shield masks
- Keyholes for wall mounting
- Stainless Steel

Primary Area for Product Usage:

- Anywhere protective equipment products are needed

Dispenses:

- Box(es) no larger than 9.00"W x 9.50"H x 4.00"D (22.9 cm x 24.1 cm x 10.2 cm)
- Box(es) no smaller than 8.75"W x 5.50"H x 3.75"D (22.2 cm x 14.0 cm x 9.5 cm)

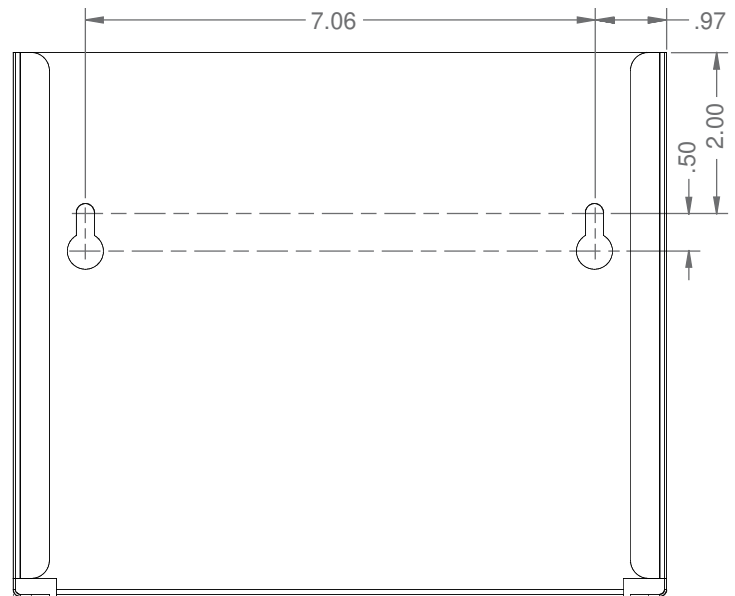
Package Specifications:

- Package Quantity: 12 per case
- 16"W x 12"H x 12"D (40.6 cm x 30.5 cm x 30.5 cm)
- 16.0 lbs (7.3 kg) - approximated

Product Specifications (overall external dimensions):

- 9.06"W x 7.53"H x 4.06"D (23.0 cm x 19.1 cm x 10.3 cm)
- 1.2 lbs (0.5 kg) - approximated

Mounting Specifications:



Related Products (each sold separately):

- FB-090: Face Mask Dispenser - Shield (shown below)
- FM063-0300: Face Mask Dispenser - Tie

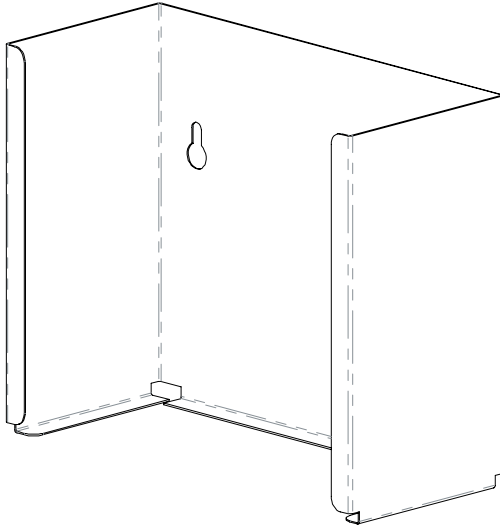




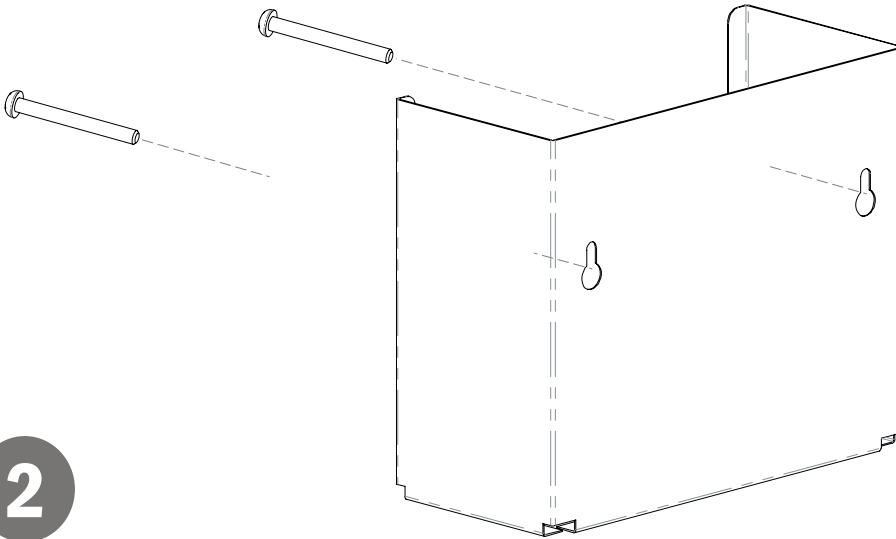
Installation

Always mount dispensers securely *prior* to loading with product.

- Custom fit sizing with short flanges means there is maximum exposure of the box.
- Boxes may dispense from the top or front as fit provides.



- Dispenser can be mounted onto a BOWMAN® door or wall hanger through the cutout in the back.



Parts included:

- Dispenser

Tools Required:

- No tools required to assemble dispenser

Care and Construction

Stainless Steel

Material Characteristics

Designed for Long-Term, Heavy-Duty Applications

Stainless steel is used overwhelmingly for its corrosion and oxidation resistance characteristics. Along with being sturdy, stainless steel is also fire and heat resistant.

The work-hardening properties of stainless steel gives the material a great strength-to-weight advantage over other materials. It also provides impact resistance and high toughness in extreme temperatures.

Stainless steel has a bright, stain resistant surface and pleasing aesthetic appearance.

Care and Cleaning

Stainless steel resists a variety of common chemicals and cleaning agents. Clean using warm water, a gentle detergent, and soft cloth.

Standard hospital cleaning supplies are approved for use on our stainless steel products. Dry thoroughly to avoid spotting. Do not use steel wool.