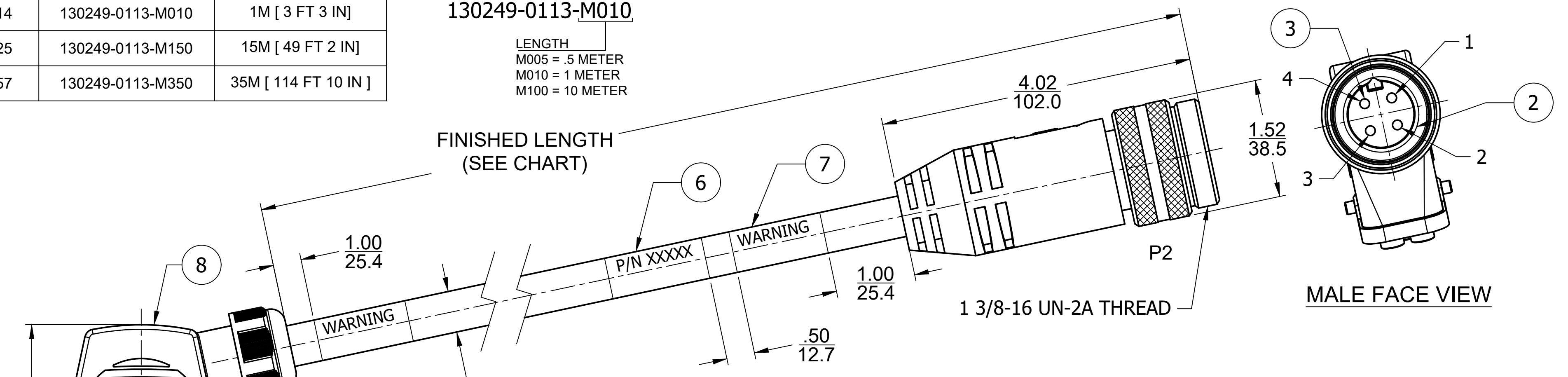


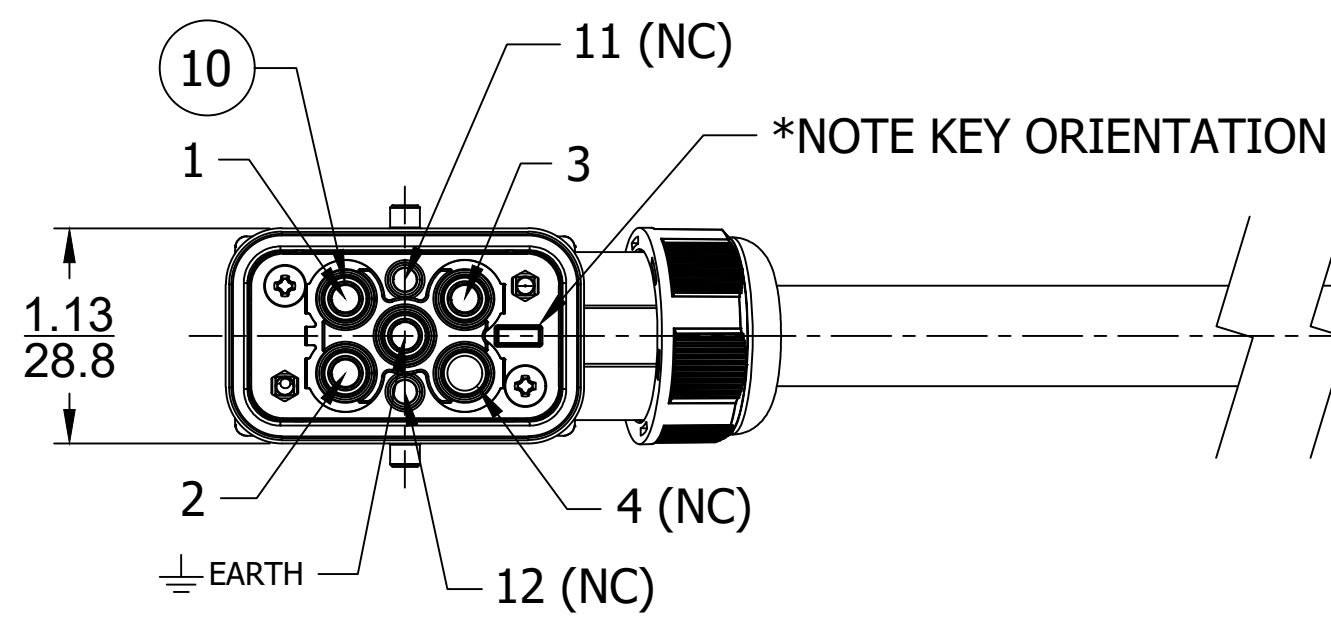
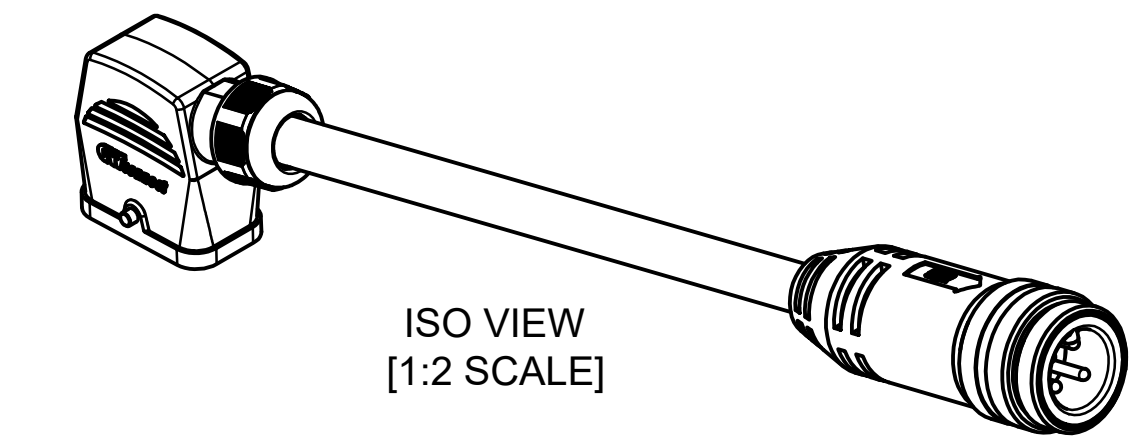
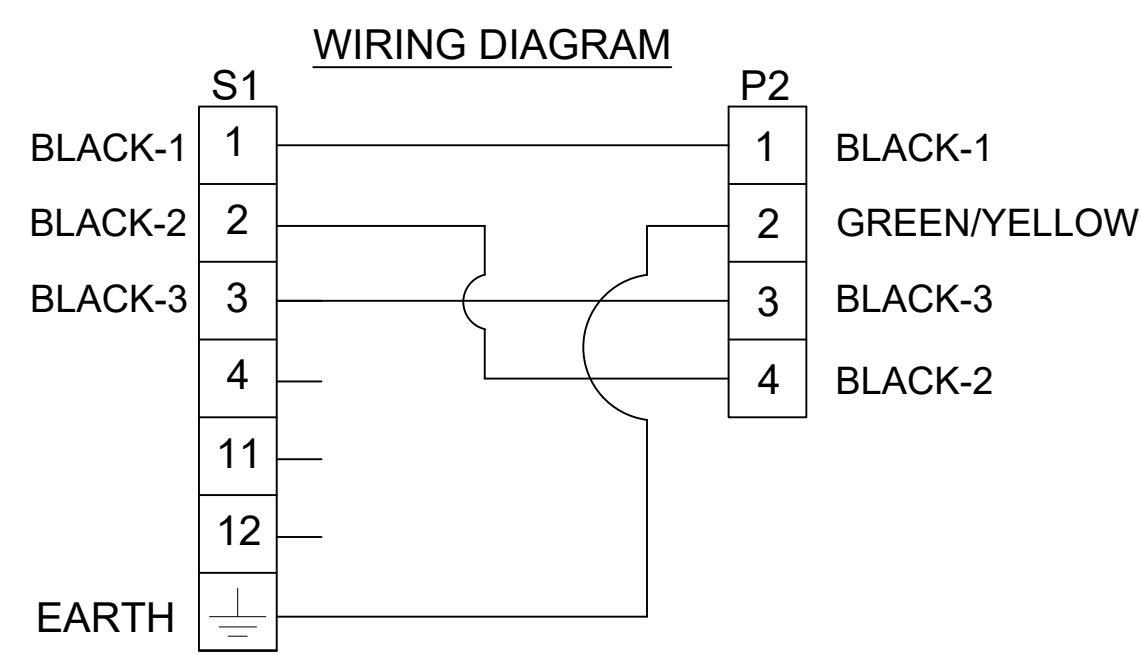
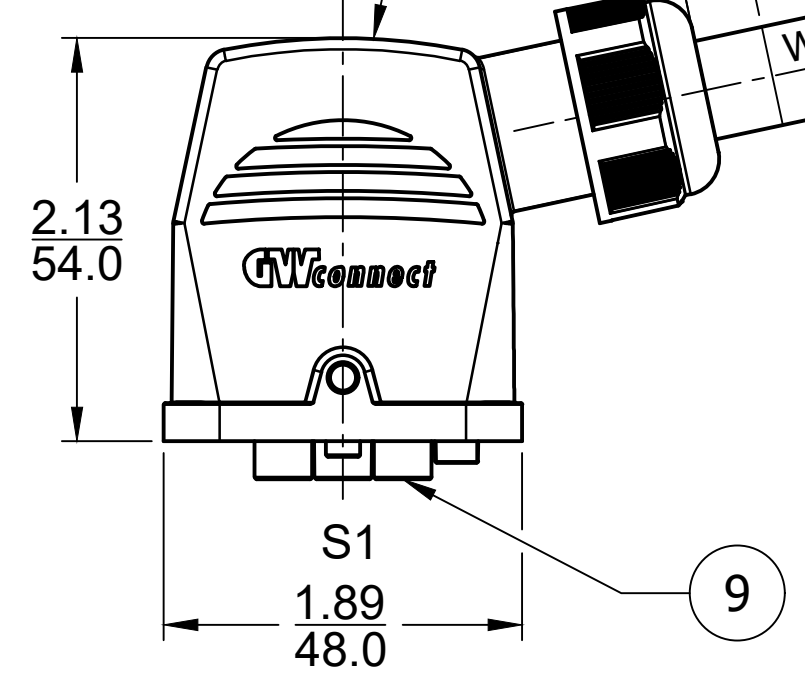
MATERIAL NO.	ENGINEERING NO.	FINISHED LENGTH
1302490114	130249-0113-M010	1M [3 FT 3 IN]
1302490125	130249-0113-M150	15M [49 FT 2 IN]
1302490157	130249-0113-M350	35M [114 FT 10 IN]

PART NO. LEGEND
130249-0113-M010

LENGTH
M005 = .5 METER
M010 = 1 METER
M100 = 10 METER



MALE FACE VIEW



FEMALE FACE VIEW

- NOTES:**
1. MATERIALS: SEE TABLE
 2. FINISHES: SEE TABLE
 3. ELECTRICAL:
VOLTAGE: 500V PER IEC60664
600V PER UL2237
CURRENT: 32A
 4. TEMP RATING: -20° C TO +90° C
 5. ALL DIMENSIONS ARE FOR REFERENCE UNLESS TOLERANCED OR NOTED OTHERWISE

ITEM	DESCRIPTION	MATERIAL	FINISH
10	FEMALE CONTACT SOCKET	COPPER ALLOY	SILVER PLATED
9	INSERT, FEMALE	POLYCARBONATE	GRAY
8	HOOD AND GLAND ASSEMBLY	POLYAMIDE	BLACK
7	WARNING LABEL	VINYL	ORANGE/BLACK
6	WRAP LABEL	VINYL	BLACK/YELLOW
5	OVERMOLD	TPE	BLACK
4	COUPLING, MALE	ALUMINUM	CLEAR ANODIZE
3	MALE CONTACT PIN	COPPER ALLOY	GOLD PLATED
2	INSERT, MALE	TPE	BLACK
1	CABLE, #10-4 TC-ER	TPE JACKET	BLACK
ITEM	DESCRIPTION	MATERIAL	FINISH

CABLE LENGTH TOLERANCES

<.3M [1FT]: +19mm-0 [+1.75in-0]
.3 - .9M [1 - 3FT]: +44.5mm-0 [+1.75in-0]
.9 - 1.8M [3 - 6FT]: +55.6mm-0 [+2.19in-0]
1.8 - 3.7M [6 - 12FT]: +88.9mm-0 [+3.50in-0]
3.7 - 7.3M [12 - 24FT]: +165.1mm-0 [+6.50in-0]
7.3-14.6M [24 - 48FT]: +317.5mm-0 [+12.50in-0]
14.6 - 30.5M [48-100FT]: +622.3mm-0 [+24.50in-0]
OVER 30M [100FT] +2% OF FINISHED LENGTH

FUNCTIONAL SYMBOLS: THIS DRAWING CONTAINS INFORMATION THAT IS PROPRIETARY TO MOLEX ELECTRONIC TECHNOLOGIES, LLC AND SHOULD NOT BE USED WITHOUT WRITTEN PERMISSION

DIMENSION UNITS: INCH/MM SCALE: NTS

GENERAL TOLERANCES (UNLESS SPECIFIED):

PLACES	mm	INCH
4 PLACES	±----	±----
3 PLACES	±----	±----
2 PLACES	±----	±----
1 PLACE	±----	±----
0 PLACES	±----	±----

ANGULAR TOL ± ---- °

DRAFT WHERE APPLICABLE MUST REMAIN WITHIN DIMENSIONS

CURRENT REV DESC: REMOVE RESTRICTED SIGN-OFF

EC NO: 684037
DRWN: RSTONE 2021/11/04
CHK'D: MZIELINSKI 2021/11/09
APPR: BWOODMAN 2021/11/11

INITIAL REVISION:
DRWN: MZIELINS 2016/09/08
APPR: BWOODMAN 2016/09/12

THIRD ANGLE PROJECTION

DRAWING: C-SIZE

SERIES: 130249

DOCUMENT NUMBER: SD-130249-006

DOC TYPE/DOC PART/REVISION: PSD 001 B1

MATERIAL NUMBER: SEE CHART

CUSTOMER: GENERAL MARKET

SHEET NUMBER: 1 OF 1