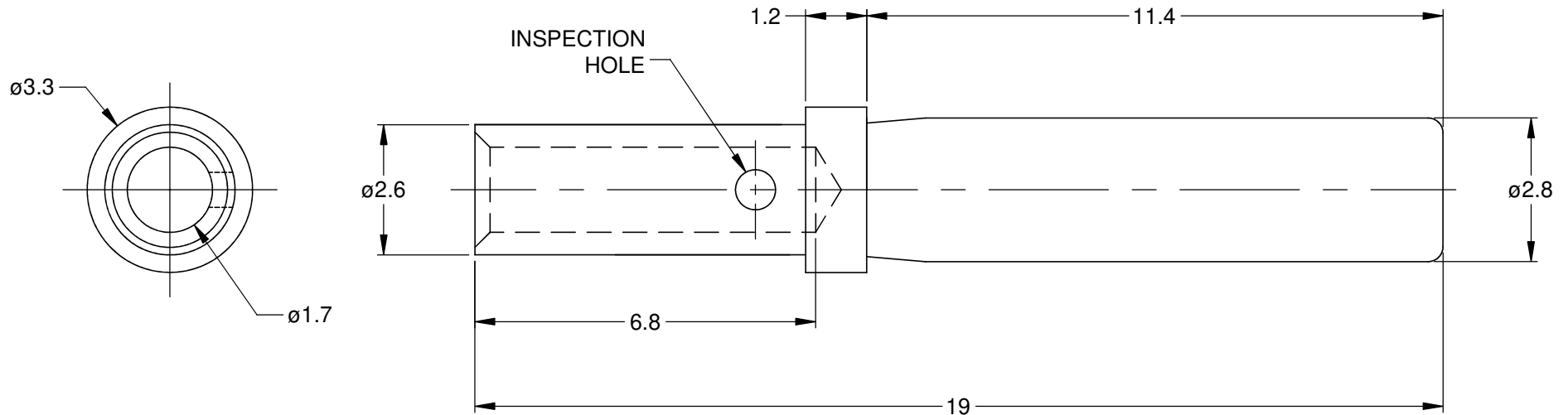


REVISIONS					
REV	ECO	DESCRIPTION	DATE	BY	APPR
A4	-	RELEASE NEW DWG FORMAT	10/OCT/13	DRP	-



NOTES: UNLESS OTHERWISE SPECIFIED

- MATERIAL: COPPER ALLOY
- PLATING: SEE PART NUMBER CHART
- CONTACT SIZE: 16
- SPECIFICATIONS:
  - 4.1 CURRENT RATING: 13 AMPS
  - 4.2 CONTACT MILLIVOLT DROP: 60 MILLIVOLT DROP @ 13 AMP TEST CURRENT.
  - 4.3 RoHS COMPLIANT
- RECOMMENDED WIRE RANGE: 16 - 20 AWG
- AVAILABLE HAND CRIMPER: CA-5D12
- ALL DIMENSIONS ARE FOR REFERENCE USE ONLY

PART NUMBER CHART	
PLATING	PART NUMBER
GOLD	AT62-201-1631
NICKEL	AT62-201-16141

	SEE PART NUMBER CHART		
	PART NUMBER	DESCRIPTION	ITEM

QUANTITY    MATERIALS LIST

UNLESS OTHERWISE SPECIFIED 1) All dimensions are in metric(mm). 2) Tolerances are as follows: 1 PL DEC ±0.30 2 PL DEC ±0.15 3 PL DEC ±0.08 Fractions ±1/64 Angles ±1° 3) Note reference =	SIGNATURES	DATE	<h1>Amphenol</h1> <p>Sine Systems - www.amphenol-sine.com                      44724 Morley Drive                      Clinton Township, MI 48036</p> <p>CONTACT, SOCKET, SOLID, SIZE 16,                      16-20 AWG, AT &amp; AHD-9 SERIES</p>			
	DRAWN: D.PARKS	10/OCT/13			CHECKED:	
	ENGINEER:				APPROVAL:	
	CUSTOMER:					
MATERIAL SPECIFICATIONS:	THIS DRAWING IS SUPPLIED FOR INFORMATION ONLY. DESIGN FEATURES, SPECIFICATIONS AND PERFORMANCE DATA SHOWN HEREON ARE THE PROPERTY OF THE AMPHENOL CORPORATION. NO RIGHTS OF REPRODUCTION ARE IMPLIED. ALL DIMENSIONS ARE SUBJECT TO NORMAL MANUFACTURING VARIATIONS.		SIZE	TYPE	DWG NO:	REVISION
PROCESS SPECIFICATIONS:			A	C-	AT62-201-16XXX	A4
NEXT ASS'Y:			SCALE: NONE			SHEET 1 OF 1