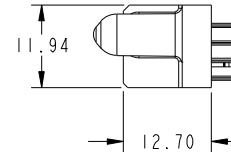
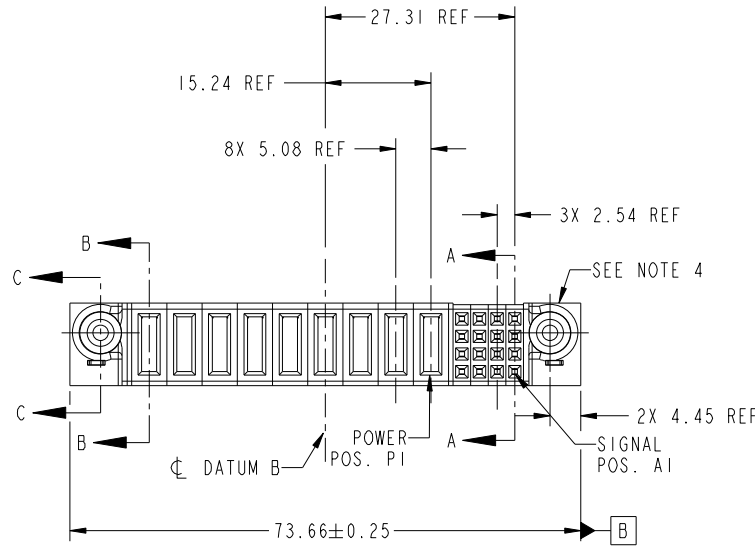


Tous droits strictement reserves. Reproduction ou communication a des tiers interdite sous quelque forme que ce soit sans autorisation écrite du propriétaire. Propriete de c FCI. Droits de reproduction FCI.



All rights strictly reserved. Reproduction or issue to third parties in any form whatever is not permitted without written authority from the proprietor. Property of FCI. Copyright FCI.

PRODUCT NO.	ROWS	POWER										SIGNAL				
		E2	P9	P8	P7	P6	P5	P4	P3	P2	P1	4	3	2	1	E1
51940-238-- NOTE: 3	D C B A		PA	X	PA	PA	PA	PA	PA	PA	PA					



CODE	DIM "M" MATING LENGTH	CONTACT TYPE
E	[N/A]	SIGNAL
PA	[1.07]	POWER
HA	[N/A]	HOLD-DOWN
X	OMITTED	

mat'l code				SEE NOTE 2		tolerances unless otherwise specified		CUSTOMER		FCI	
ltr	ecn no.	dr	date	linear	0.X ± 0.3	projection		COPY		www.fciconnect.com	
A	DG07-0408	SH	09/28/07	angles	0.XX ± 0.13			title		16S + 9P	
B	DG08-0042	SH	02/21/08	dr	0.XXX ± 0.051			product family		PwrBlade	
				enr	0° ± 2°	scale		size		code	
				chr	Sincere He 09/28/07	1:1		dwg no		213	
				appd	JEROME CHEN 09/28/07			51940-238		sheet	
					Gary Hsieh 09/28/07			A		1 of 4	
					Joseph Hsia 09/28/07						
sheet index	revision sheet	B	B	B	B						
		1	2	3	4						

cage code 22526

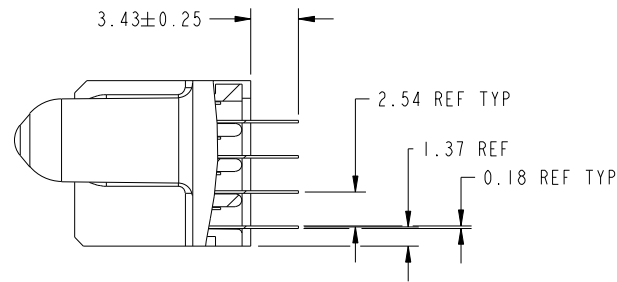
Pro/E

Tous droits strictement reserves. Reproduction ou communication a des tiers interdite sous quelque forme que ce soit sans autorisation écrite du propriétaire. Propriete de c FCI. Droits de reproduction FCI.

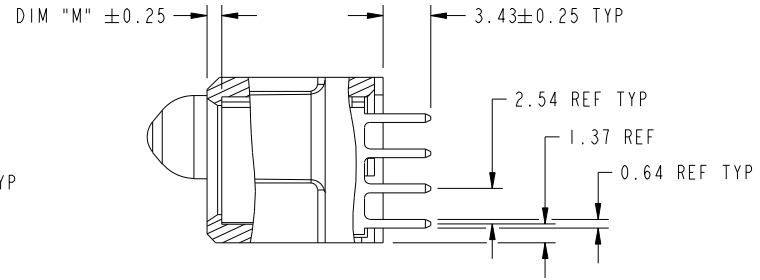


All rights strictly reserved. Reproduction or issue to third parties in any form whatever is not permitted without written authority from the proprietor. Property of FCI. Copyright FCI.

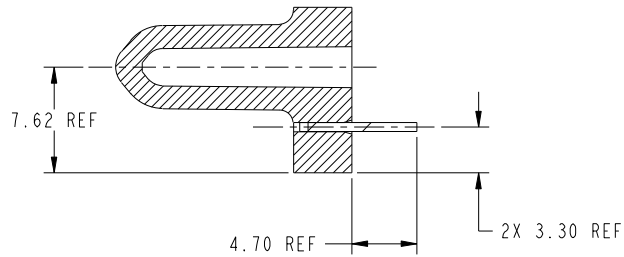
PRODUCT NUMBER
51940-238--
NOTE: 3



SECTION A-A
SCALE 2:1



SECTION B-B
SCALE 2:1



SECTION C-C
SCALE 2:1

mat'l code				SEE NOTE 2		tolerances unless otherwise specified		CUSTOMER		FCI	
ltr	ecn no.	dr	date	linear	0.X ±0.3		COPY		www.fciconnect.com		
B					0.XX ±0.13		projection		title		
					0.XXX ±0.051				16S + 9P VERTICAL SOLDER RECEPT		
				angles	0° ±2°				product family		code
				dr	Sincere He	09/28/07	scale		PwrBlade		213
				enr	JEROME CHEN	09/28/07	1:1		size		sheet
				chr	Gary Hsieh	09/28/07	A		dwg no		2 of 4
				appd	Joseph Hsia	09/28/07	A		51940-238		
sheet index	revision sheet										

Pro/E

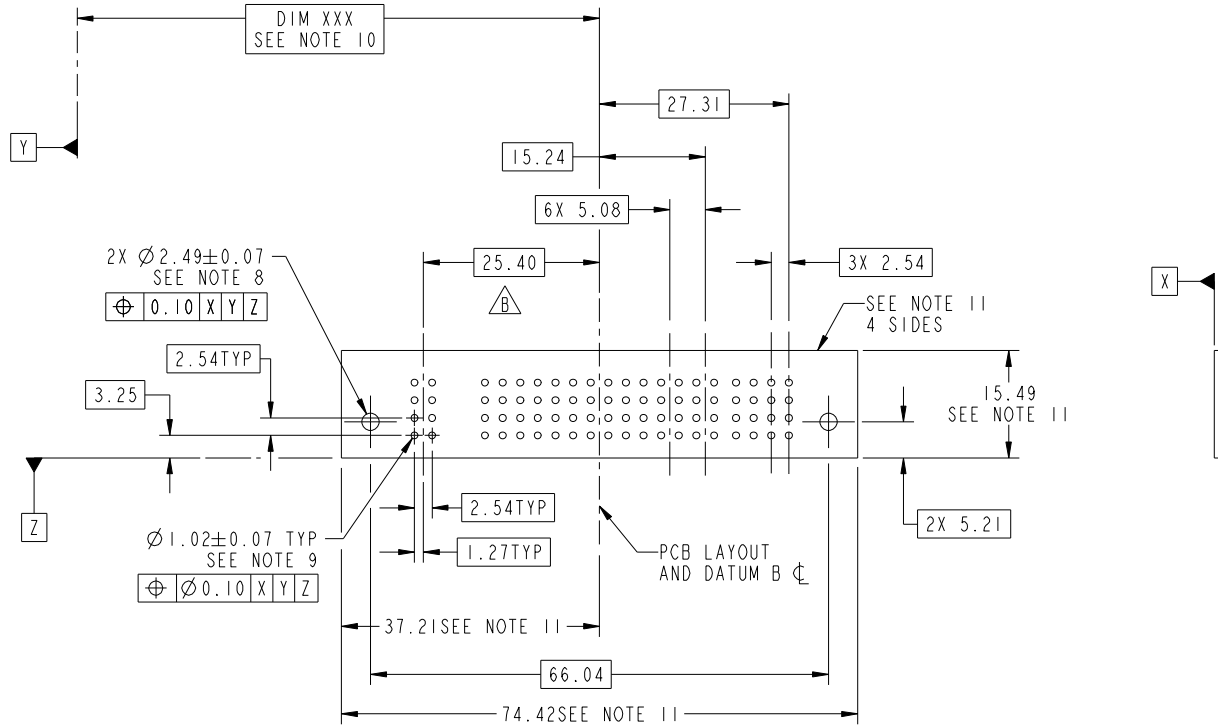
cage code 22526

Tous droits strictement reserves. Reproduction ou communication a des tiers interdite sous quelque forme que ce soit sans autorisation écrite du propriétaire. Propriete de c FCI. Droits de reproduction FCI.

All rights strictly reserved. Reproduction or issue to third parties in any form whatever is not permitted without written authority from the proprietor. Property of FCI. Copyright FCI.



PRODUCT NUMBER
51940-238--
NOTE: 3



RECOMMENDED PCB LAYOUT

mat'l code		SEE NOTE 2		tolerances unless otherwise specified		CUSTOMER		FCI	
ltr	ecn no.	dr	date	linear	0.X ±0.3	COPY		www.fciconnect.com	
B					0.XX ±0.13	projection		title	
				angles	0.XXX ±0.051			16S + 9P VERTICAL SOLDER RECEPT	
				dr	Sincere He 09/28/07	MIM		product family PwrBlade code 213	
				enr	JEROME CHEN 09/28/07			size dwg no 213	
				chr	Gary Hsieh 09/28/07	scale		sheet 3 of 4	
				appd	Joseph Hsia 09/28/07	1:1		A 51940-238	
sheet index	revision sheet								

cage code 22526

Pro/E

Tous droits strictement reserves. Reproduction ou communication a des tiers interdite sous quelque forme que ce soit sans autorisation écrite du propriétaire. Propriete de c FCI. Droits de reproduction FCI.

All rights strictly reserved. Reproduction or issue to third parties in any form whatever is not permitted without written authority from the proprietor. Property of FCI. Copyright FCI.



PRODUCT NUMBER
51940-238_-
NOTE: 3

NOTES:

1. DIMENSIONS AND TOLERANCES ARE IN ACCORDANCE WITH ASME Y14.5M, 1994 UNLESS OTHERWISE SPECIFIED.

CONNECTOR NOTES:

- ② HOUSING MATERIAL: UL 94 V-0 GLASS FILLED
HIGH-TEMP THERMOPLASTIC
POWER CONTACT MATERIAL: COPPER ALLOY
SIGNAL PIN MATERIAL: COPPER ALLOY
- 3. PLATING SPEC.
51940-238, 51940-238LF PLATING SPEC. WAS SHOWN IN THE PRINT OF 10064183.
- ④ MANUFACTURER'S NAME, P/N, AND DATE CODE TO APPEAR ON THIS SURFACE.
- 5. PRODUCT SPECIFICATION GS-12-149.
APPLICATION SPECIFICATION BUS-20-067.
- 6. PACKAGED IN TRAYS.

PCB NOTES:

- 7. ALL HOLE DIAMETERS ARE FINISHED HOLE SIZE.
- ⑧ MOUNTING HOLES, WHERE APPLICABLE, ARE UNPLATED.
- ⑨ $\varnothing 1.151 \pm 0.025$ DRILLED HOLES PLATED WITH
0.008 MIN SnPb OR Sn OVER 0.03
TO 0.08 Cu PLATING TO ACHIEVE
 $\varnothing 1.02 \pm .07$ HOLE.
- ⑩ "DIM XXX" TO BE DETERMINED BY THE CUSTOMER.
- ⑪ CONNECTOR KEEP-OUT ZONE.

12: A SYMBOL WILL BE NEXT TO ANY DIMENSION, VIEW, OR NOTE WHICH HAS BEEN MODIFIED WITH CURRENT DRAWING REVISION.

mat'l code				SEE NOTE 2		tolerances unless otherwise specified		CUSTOMER		FCI		www.fciconnect.com		
ltr	ecr no.	dr	date	linear	0.X ± 0.3		COPY		projection	title			16S + 9P VERTICAL SOLDER RECEPT	
B					0.XX ± 0.13		MIM			product family				code
					0.XXX ± 0.051		← MIM →			PwrBlade				213
				angles	0° ± 2°		scale		size			sheet		
				dr	Sincere He	09/28/07	1:1		dwg no			4 of 4		
				enr	JEROME CHEN	09/28/07	A		51940-238					
				chr	Gary Hsieh	09/28/07								
				appd	Joseph Hsia	09/28/07								
sheet index	revision sheet													

cage code 22526

Pro/E