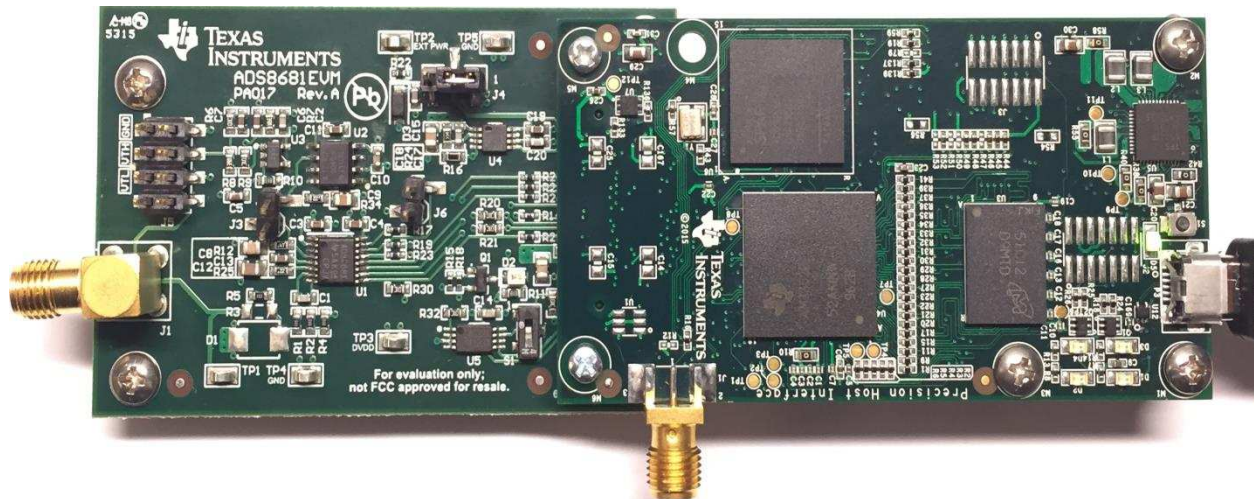


## ADS8681EVM-PDK

This user's guide describes the characteristics, operation and use of the ADS8681 evaluation module (EVM) performance demonstration kit (PDK). This kit is an evaluation platform for the ADS8681 which is a 16-bit, 1-Msps, successive approximation register (SAR) analog-to-digital converter (ADC) featuring constant resistive input impedance and an enhanced serial multiSPI™ digital interface. This EVM-PDK eases the evaluation of the ADS8681 device with hardware and software for computer connectivity through the Universal Serial Bus (USB) interface. This user's guide includes complete circuit descriptions, schematic diagrams, and a bill of materials (BOM).



The following related documents are available through the Texas Instruments web site at [www.ti.com](http://www.ti.com).

### Related Documentation

Device	Literature Number
<a href="#">ADS8681</a>	<a href="#">SBAS633</a>
<a href="#">OPA320</a>	<a href="#">SBOS513</a>
<a href="#">REF5040</a>	<a href="#">SBOS410</a>
<a href="#">TPS7A4901</a>	<a href="#">SBVS121</a>

multiSPI is a trademark of Texas Instruments.  
 Microsoft, Windows are registered trademarks of Microsoft Corporation.  
 SPI is a trademark of Motorola Mobility LLC.  
 All other trademarks are the property of their respective owners.

## Contents

1	Overview .....	3
	1.1 ADS8681EVM-PDK Features .....	3
	1.2 ADS8681EVM Features .....	4
2	EVM Analog Interface .....	4
	2.1 ADC Analog Input Signal Path .....	4
	2.2 On-Board ADC Reference .....	6
3	Digital Interfaces .....	6
	3.1 multiSPI® SPI for ADC Digital IO .....	6
4	Power Supplies .....	7
5	ADS8681EVM-PDK Initial Setup .....	7
	5.1 Default Jumper and Switch Settings .....	7
	5.2 EVM Graphical User Interface (GUI) Software Installation .....	8
6	ADS8681EVM-PDK Operation .....	11
	6.1 EVM GUI Global Settings for ADC control .....	12
	6.2 Register Map Configuration Tool .....	13
	6.3 Time Domain Display Tool .....	14
	6.4 Histogram Tool .....	15
	6.5 Spectral Analysis Tool .....	16
	6.6 Linearity Analysis Tool .....	17
7	Bill of Materials, PCB Layout, Schematics .....	18
	7.1 Bill of Materials .....	18
8	PCB Layout .....	20
9	ADS8681EVM-PDK Schematics .....	22

## List of Figures

1	System Connection for Evaluation .....	3
2	Schematic of Input Signal Path .....	4
3	Connectors and Jumpers for Input .....	5
4	On-Board Reference Signal Path .....	6
5	Default Settings for Jumper and Switch .....	7
6	EVM GUI Installer may Trigger Antivirus Software .....	8
7	ADS8681 Software Installation Prompts .....	9
8	ADS8681 EVM GUI Folder Post-Installation .....	10
9	EVM-PDK Hardware Setup and LED Indicators .....	11
10	Launch ADS8681 EVM GUI Software .....	11
11	EVM GUI Global Input Parameters .....	12
12	Register Map Configuration .....	13
13	Time Domain Display Tool .....	14
14	Histogram Analysis Tool .....	15
15	Spectral Analysis Tool .....	16
16	Linearity Analysis Tool .....	17
17	ADS8681EVM PCB Layer 1 – Top Layer .....	20
18	ADS8681EVM PCB Layer 2 – GND Plane .....	20
19	ADS8681EVM PCB Layer 3 – Power Planes .....	21
20	ADS8681EVM PCB Layer 4 – Bottom Layer .....	21
21	Schematic Diagram of ADS8681EVM – Page 1 .....	22
22	Schematic Diagram of ADS8681EVM – Page 2 .....	23

## 1 Overview

The ADS8681EVM-PDK is a platform for evaluating the performance of the ADS8681 Successive Approximation Register Analog-to-Digital Converter (SAR ADC). The evaluation kit includes the ADS8681EVM board, the Precision Host Interface (PHI) controller board and accompanying computer software that enables the user to (1) communicate with the ADC over Universal Serial Bus (USB), (2) capture data, and (3) perform data analysis.

The ADS8681EVM board includes the ADS8681 SAR ADC, all the peripheral circuits and components necessary to extract good performance from the ADC.

The PHI board primarily serves three functions:

- Provides a communication interface from the EVM to the computer through a USB port
- Provides the digital input and output signals necessary to communicate with the ADS8681EVM
- Supplies power to all active circuitry on the ADS8681EVM board

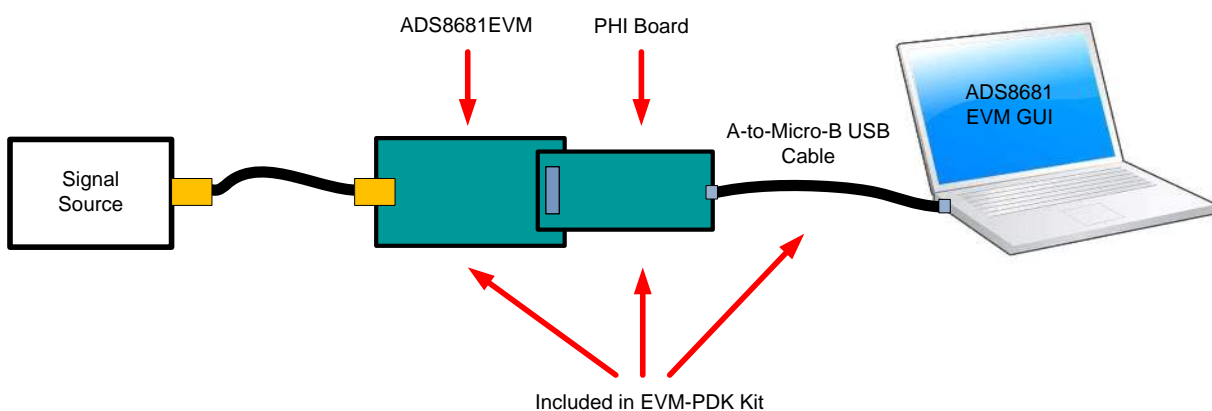
Along with the ADS8681EVM and PHI controller boards, this evaluation kit includes an A-to-micro-B USB cable to connect to a computer.

### 1.1 ADS8681EVM-PDK Features

The ADS8681EVM-PDK includes the following features:

- Hardware and software required for diagnostic testing as well as accurate performance evaluation of the ADS8681 ADC
- USB powered - no external power supply is required
- The PHI controller that provides a convenient communication interface to the ADS8681 ADC over a USB 2.0 (or higher) for power delivery as well as digital input and output
- Easy-to-use evaluation software for Microsoft® Windows® 7, Windows 8, 64-bit operating systems
- The software suite includes graphical tools for data capture, histogram analysis, spectral analysis, and linearity analysis. It also has a provision for exporting data to a text file for post-processing

Figure 1 illustrates an example system setup for evaluation.



**Figure 1. System Connection for Evaluation**

## 1.2 ADS8681EVM Features

The ADS8681EVM includes the following features:

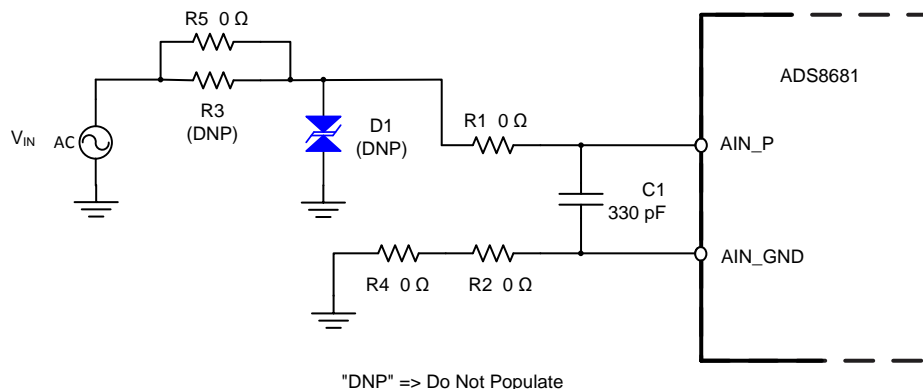
- Integrated 4.096-V precision voltage reference and an option for on-board voltage reference
- Bipolar ( $\pm 3 \times V_{ref}$ ,  $\pm 2.5 \times V_{ref}$ ,  $\pm 1.5 \times V_{ref}$ ,  $\pm 1.25 \times V_{ref}$ , and  $\pm 0.625 \times V_{ref}$ ) or unipolar (0 V to  $3 \times V_{ref}$ , 0 V to  $2.5 \times V_{ref}$ , 0 V to  $1.5 \times V_{ref}$ , and 0 V to  $1.25 \times V_{ref}$ ) input ranges
- External signal source by SMA connector
- Jumper-selectable 100-mV and 4-V test signal using on-board buffered DC voltage source
- On-board ultra-low noise low-dropout (LDO) regulator for excellent 5-V single-supply regulation of all analog circuits
- Options to use external analog and digital power supplies
- Serial interface header for easy connection to PHI controller

## 2 EVM Analog Interface

The ADS8681 features integrated analog front-end circuitry with constant resistive input impedance relieving the requirement of external buffer amplifier circuit. The ADS8681EVM is designed for easy interfacing with analog sources. This section covers the details of the front-end circuit including jumper configuration for different input test signals and board connectors for a single-ended signal source.

### 2.1 ADC Analog Input Signal Path

The ADS8681EVM is designed for easy interfacing to analog sources via SMA connector. J1 on ADS8681EVM is an SMA connector that allows analog source connectivity to the input signal path of the ADS8681 through a coaxial cable. The schematic for the analog input signal path is shown in [Figure 2](#).



**Figure 2. Schematic of Input Signal Path**

When evaluating the ADS8681 performance on the EVM board, the proper resistors can be used to compose a low-pass filter with a 330-pF capacitor (C0G type) together on the input path.

The internal overvoltage protection circuit of the ADS8681 withstands up to  $\pm 20$  V on the analog input pin, however, an external protection circuitry is utilized to provide an additional overvoltage protection with a transient voltage suppressor (TVS)  $D1$  and a high-power resistor (MMA0204 footprint)  $R3$  on the input signal path of the ADS8681 on this EVM board.

The ADC positive input is also accessible through pin 8 of J5. The odd-numbered pins of J5 (J5.Pin1 through J5.Pin7) are shorted together on the board and must be jumpered to any one of the even numbered pins which are marked as “GND” (J5.Pin2), or “VTH” (J5.Pin4), or “VTL” (J5.Pin6), depending on which one of the on-board voltage signal sources is used to drive the ADC input as shown in Figure 3.

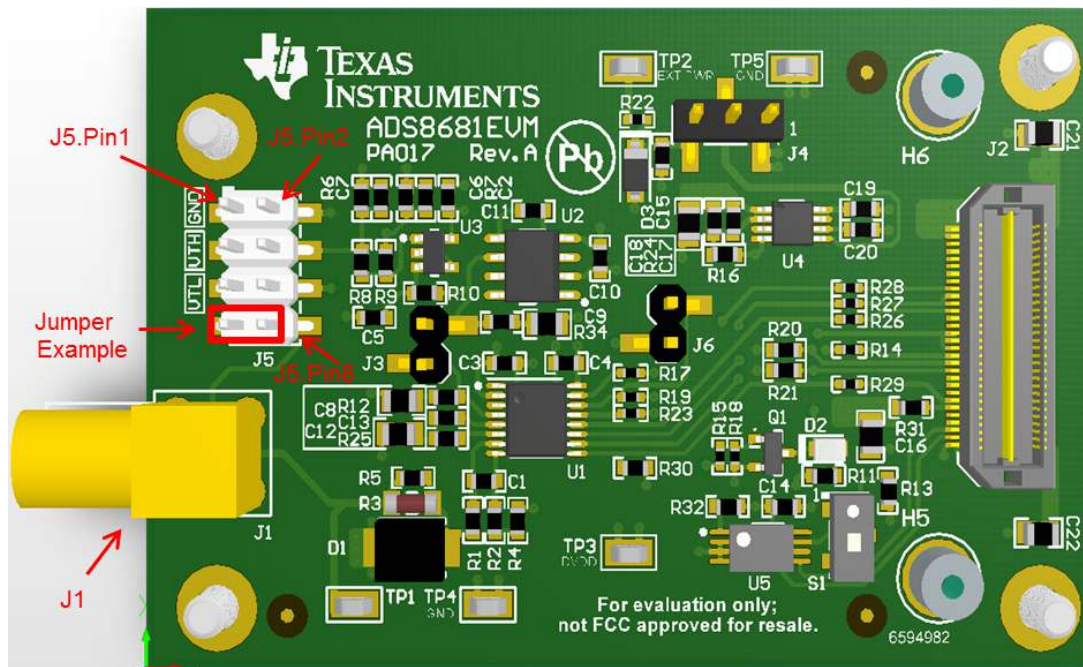


Figure 3. Connectors and Jumpers for Input

J5.Pin4 and J5.Pin6 on the EVM board are the outputs of the on-board buffered DC voltage sources and have nominal values of about 4-V and 100-mV, respectively. These are useful for debugging any potential problems with the front-end circuit or the ADC. The jumper settings on J5 for VTL and VTH on-board voltage signal and external input signal on J1 are summarized in Table 1.

Table 1. Jumper Settings on J5 for Input

Input	Value	J5.Pin1 <> J5.Pin2	J5.Pin3 <> J5.Pin4	J5.Pin5 <> J5.Pin6	J5.Pin7 <> J5.Pin8
VTL	100 mV	Open	Open	Close	Close
VTH	4 V	Open	Close	Open	Close
GND	Ground	Close	Open	Open	Close
External Signal on J1		Open	Open	Open	Open

**NOTE:** In default operation on EVM board, the input from the external source is connected on J1, therefore, remove all jumpers on J5 and keep them in open status; refer to Table 1.

## 2.2 On-Board ADC Reference

The ADS8681 incorporates a high precision 4.096-V internal voltage reference. Alternatively, the onboard external 4.096-V precision voltage reference, REF5040 (U2), is selectable for evaluation purposes if the external voltage reference is necessary for an application system. The reference voltage source is determined by bit 6 of the ADS8681's RANGE\_SEL\_REG register. Configure the reference settings on the ADS8681EVM-PDK by navigating to the *Register Map Config* page on the GUI as described in [Section 6.2](#). By default, the internal reference is enabled after the ADC is powered up, so the jumper on J3 must not be connected when powering up. If the ADS8681 must be configured with the external reference, make sure to disable the internal voltage reference by setting bit 6 of the RANGE\_SEL\_REG register before using a jumper on J3 to connect the external reference. The schematic for the reference path is shown in [Figure 4](#).

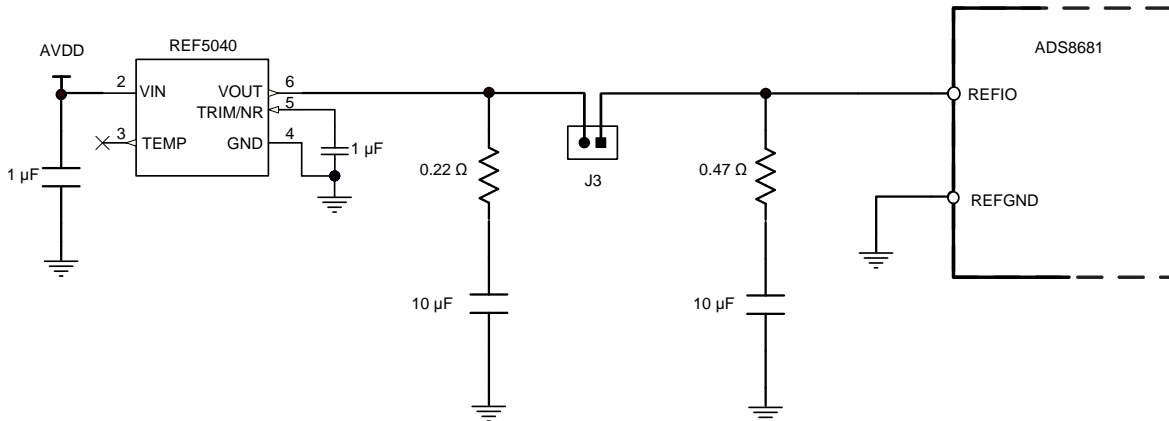


Figure 4. On-Board Reference Signal Path

## 3 Digital Interfaces

As noted in [Section 1](#), the EVM interfaces with the PHI controller board which, in turn, communicates with the computer over USB. There are exactly two devices on the EVM with which the PHI communicates – the ADC (over SPI™, U1) and the EEPROM (over I<sup>2</sup>C, U5). The EEPROM comes pre-programmed with the information required to configure and initialize the ADS8681EVM-PDK platform. Once the hardware on the EVM board has been initialized, the EEPROM is no longer used and is disabled on the EVM board (refer to [Section 5.1](#).)

### 3.1 multiSPI® SPI for ADC Digital IO

The ADS8681EVM-PDK supports all the interface modes as detailed in the ADS8681 data sheet ([SBAS633](#)). In addition to the standard SPI modes (with single-, dual-, and quad-SDO lanes) the multiSPI modes support single- and dual-data output rates and the four possible clock source settings as well. The PHI is capable of operating at a 1.8-V logic level and is directly connected to the digital I/O lines of the ADC.

The ADS8681EVM offers 49.9-Ω resistors between the SPI signals and J2 to aid with signal integrity. Typically, in high-speed SPI communication, fast signal edges can cause overshoot; these 49.9-Ω resistors slow down the signal edges in order to minimize signal overshoot.

## 4 Power Supplies

The PHI provides multiple power supply options for the ADS8681EVM, derived from the computer's USB supply. The EEPROM on the ADS8681EVM uses a common 3.3-V power supply (EVM\_ID\_PWR) generated directly by the PHI. The ADC and analog input drive circuits are powered by the TPS7A4901 on-board the EVM. The TPS7A4901 is a low-noise linear regulator that uses the 5.5-V supply out of a switching regulator on the PHI to generate a much cleaner 5-V output (AVDD) for all analog circuits on the EVM board. This analog supply can be also provided by an external power supply when a jumper is installed on pin 2-3 position of J4. The 3.3-V power supply to the digital section of the ADC is provided directly by an LDO on the PHI (EVM\_DVDD).

The power supply for each active component on the EVM is bypassed with a ceramic capacitor placed close to that component. Additionally, the EVM layout utilizes thick traces or large copper fill areas, where possible, between bypass capacitors and their loads to minimize inductance along the load current path, refer to the schematics in [Section 7](#) for more details.

## 5 ADS8681EVM-PDK Initial Setup

This section explains the initial hardware and software setup procedure that must be completed for properly operating the ADS8681EVM-PDK.

### 5.1 Default Jumper and Switch Settings

Upon unpacking, the EVM should already be configured with the default jumper settings ([Figure 5](#)).

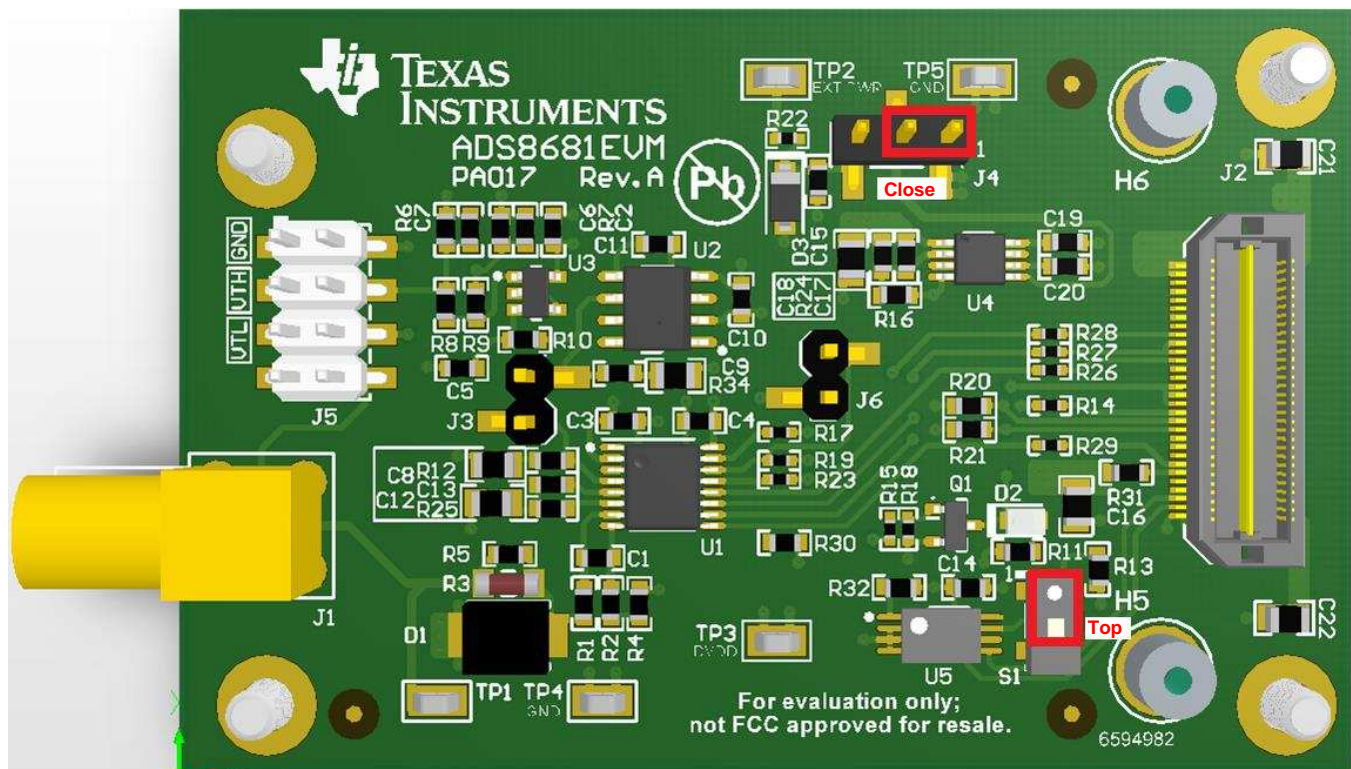
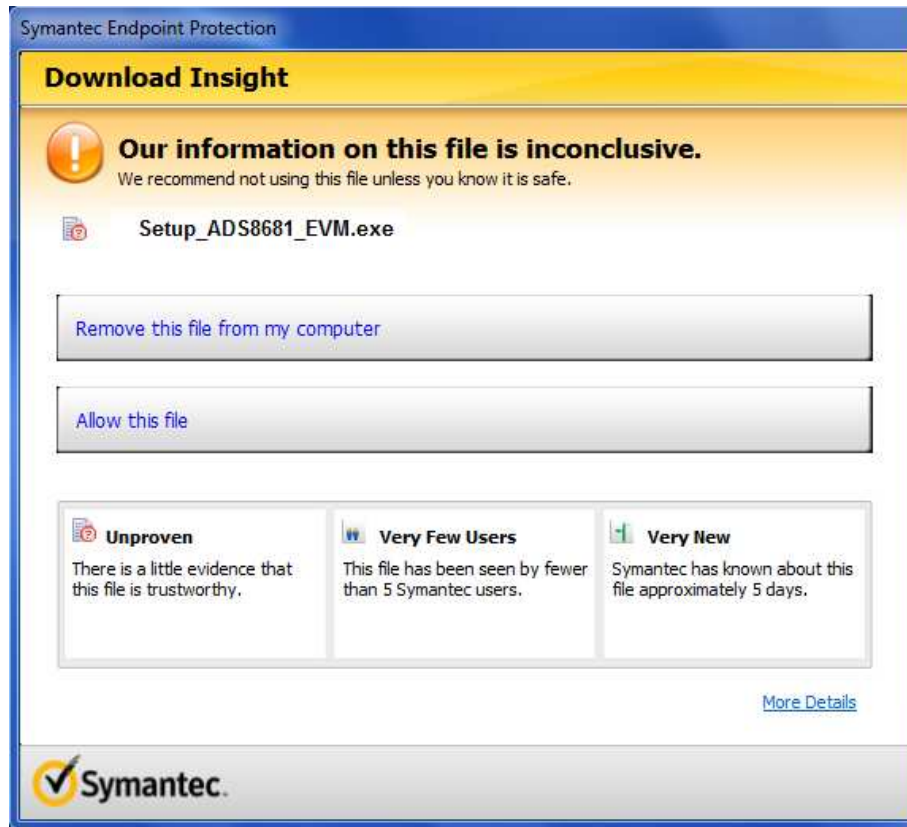


Figure 5. Default Settings for Jumper and Switch

The default setting includes no jumpers installed on J5 making J1 the input signal source. The default position of J4 is position 1 so that the linear regulator is powering the system using 5.5 V from the PHI controller. Place switch S1 at position 1-2 (to the top) enabling EEPROM write protection. Leave J3 open so the ADC's internal voltage reference is used when powering up. J6 is open to disconnect ALARM output connection to the PHI controller. The locations for the default jumpers and switch are shown in [Figure 5](#).

## 5.2 EVM Graphical User Interface (GUI) Software Installation

**NOTE:** Manually disable any antivirus software running on the computer before connecting the SD card or downloading the EVM GUI installer onto the local hard disk. Otherwise, depending on antivirus settings, an error message such as the one shown in [Figure 6](#) may appear, or the installer .exe file may be deleted.

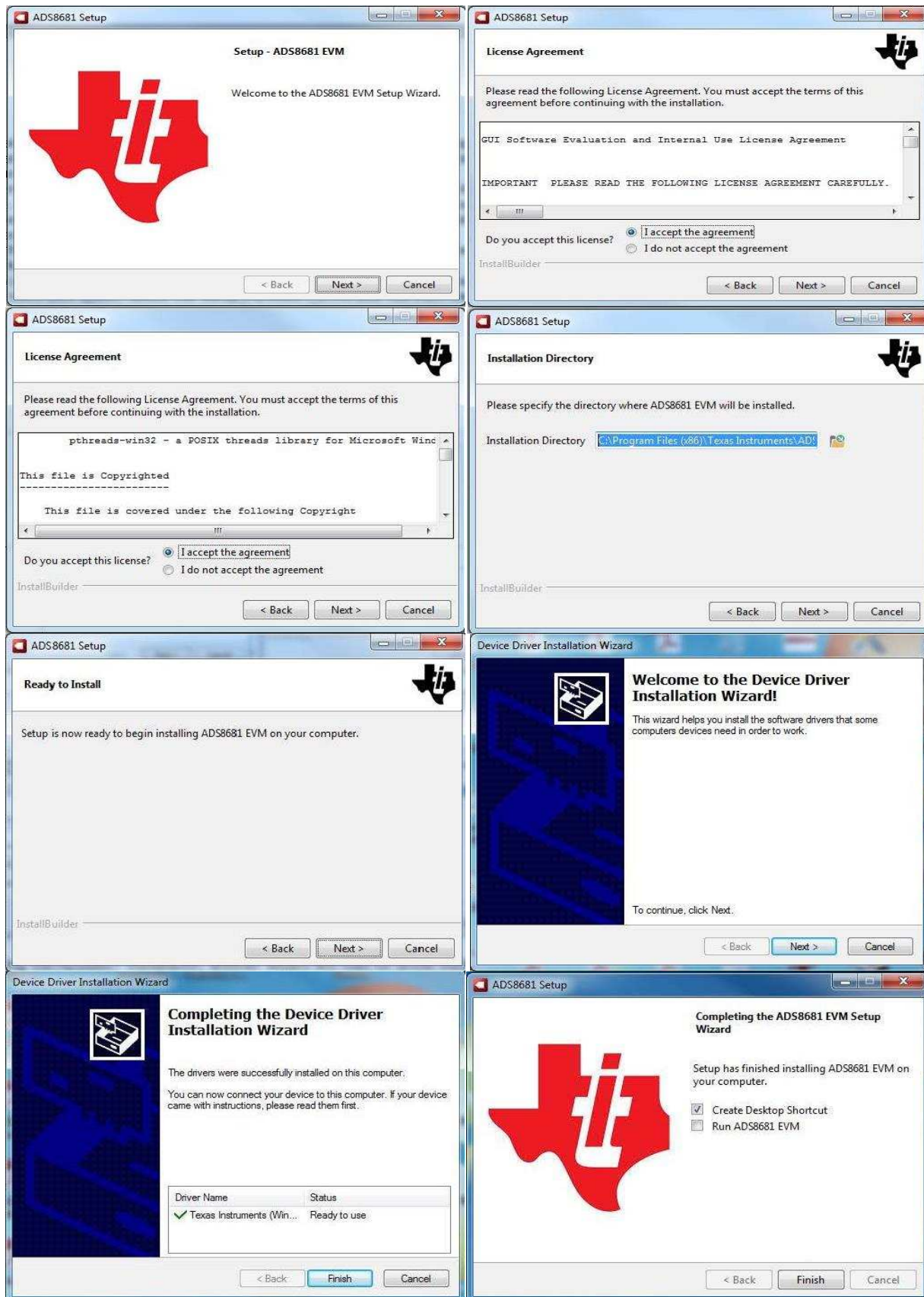


**Figure 6. EVM GUI Installer may Trigger Antivirus Software**

Download the latest version of the installer from the [Tools and Software](#) folder of the [ADS8681](#) and run the GUI installer. Accept the license agreements and follow the on-screen instructions to complete the installation as shown in [Figure 7](#).

As a part of the ADS8681 EVM GUI installation, a prompt with a Device Driver Installation will appear on the screen also shown in [Figure 7](#).

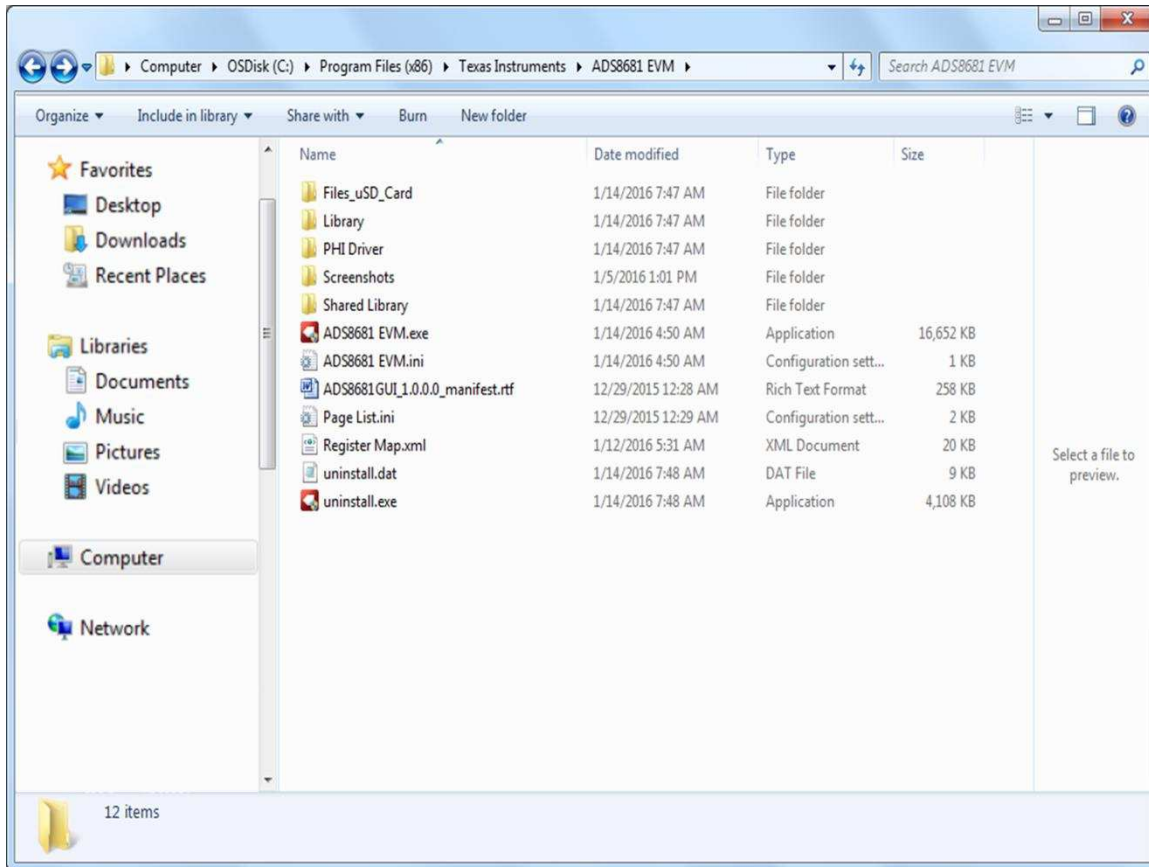




**Figure 7. ADS8681 Software Installation Prompts**

**NOTE:** A notice may appear on the screen stating that Windows cannot verify the publisher of this driver software; Select 'Install this driver software anyway'.

After these installations, verify that “C:\Program Files (x86)\Texas Instruments\ADS8681 EVM” installation path is shown in [Figure 8](#).



**Figure 8. ADS8681 EVM GUI Folder Post-Installation**

## 6 ADS8681EVM-PDK Operation

The following instructions are a step-by-step guide for connecting the ADS9110EVM-PDK to the computer and evaluating the performance of the ADS8681:

1. Connect the ADS8681EVM to the PHI. Install the two screws as indicated in [Figure 9](#).
2. Use the provided USB cable to connect the PHI to the computer
  - LED D5 on the PHI lights up indicating that the PHI has powered up
  - LEDs D1 and D2 on the PHI start blinking, indicating the PHI is booted up and communicating with the EVM

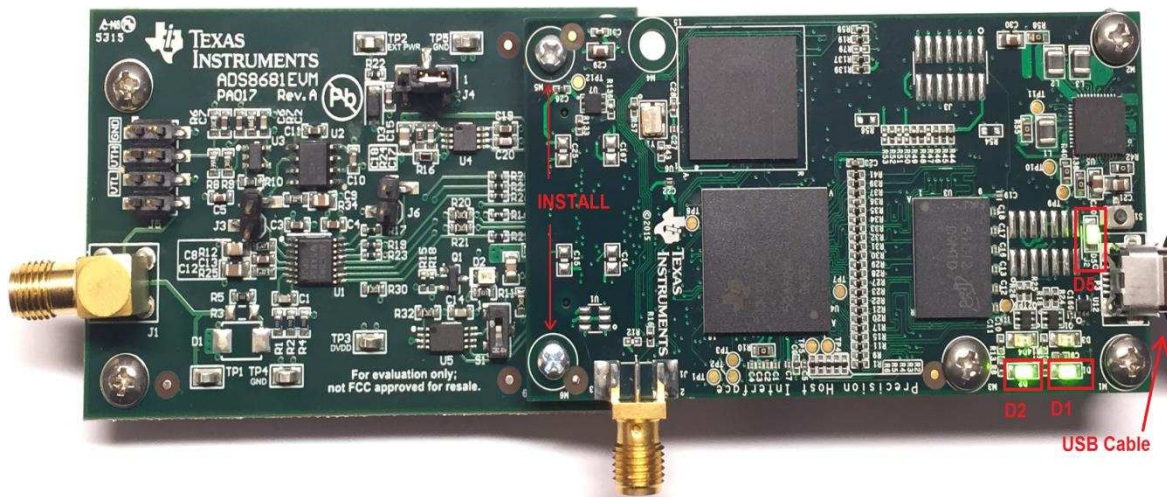


Figure 9. EVM-PDK Hardware Setup and LED Indicators

3. Launch the ADS8681EVM GUI software from the *Start Menu* of computer, *Desktop Shortcut*, or *Installation folder* ([Figure 10](#)).

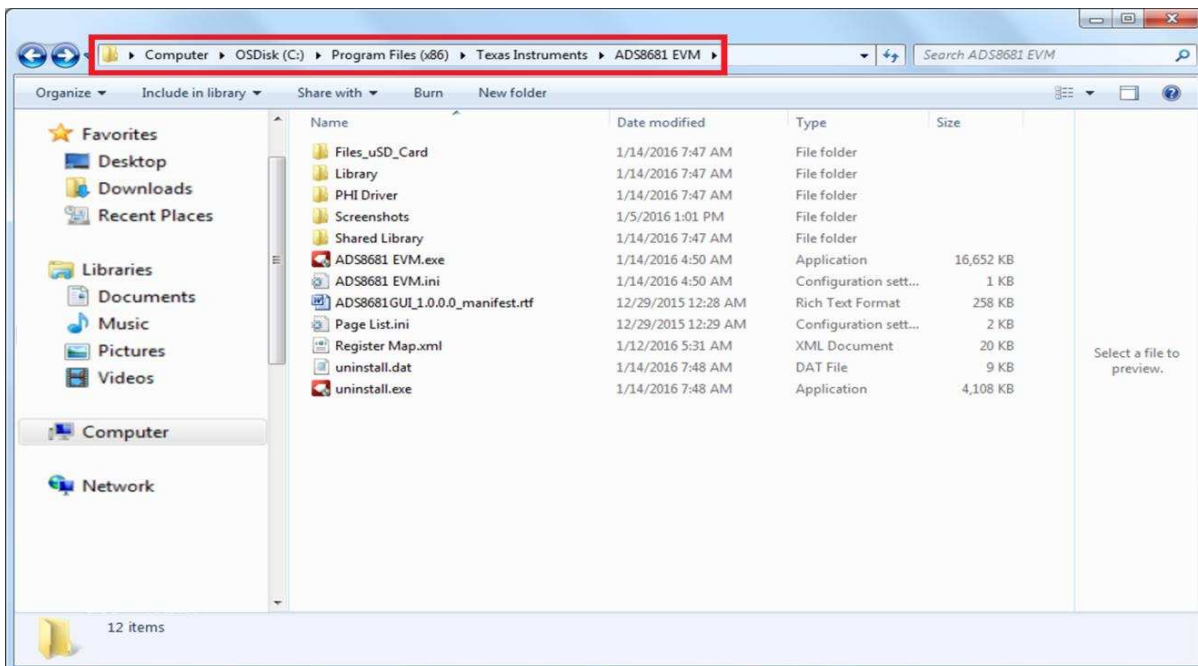


Figure 10. Launch ADS8681 EVM GUI Software

### 6.1 EVM GUI Global Settings for ADC control

Although the EVM GUI does not allow direct access to the levels and timing configuration of the ADC digital interface, the EVM GUI does give users high-level control over virtually all functions of the ADS8681, including interface modes, sampling rate, and number of samples captured.

The various functions of the ADS8681 are exercised through the input parameters of the GUI (as well as their default values), as illustrated in Figure 11. These are global settings because they persist across the GUI tools listed in the top left pane as *Pages*, which include *Register Map Configuration*, *Time Domain Display*, *Spectral Analysis*, *Histogram Analysis*, and *Linearity Analysis* tools.

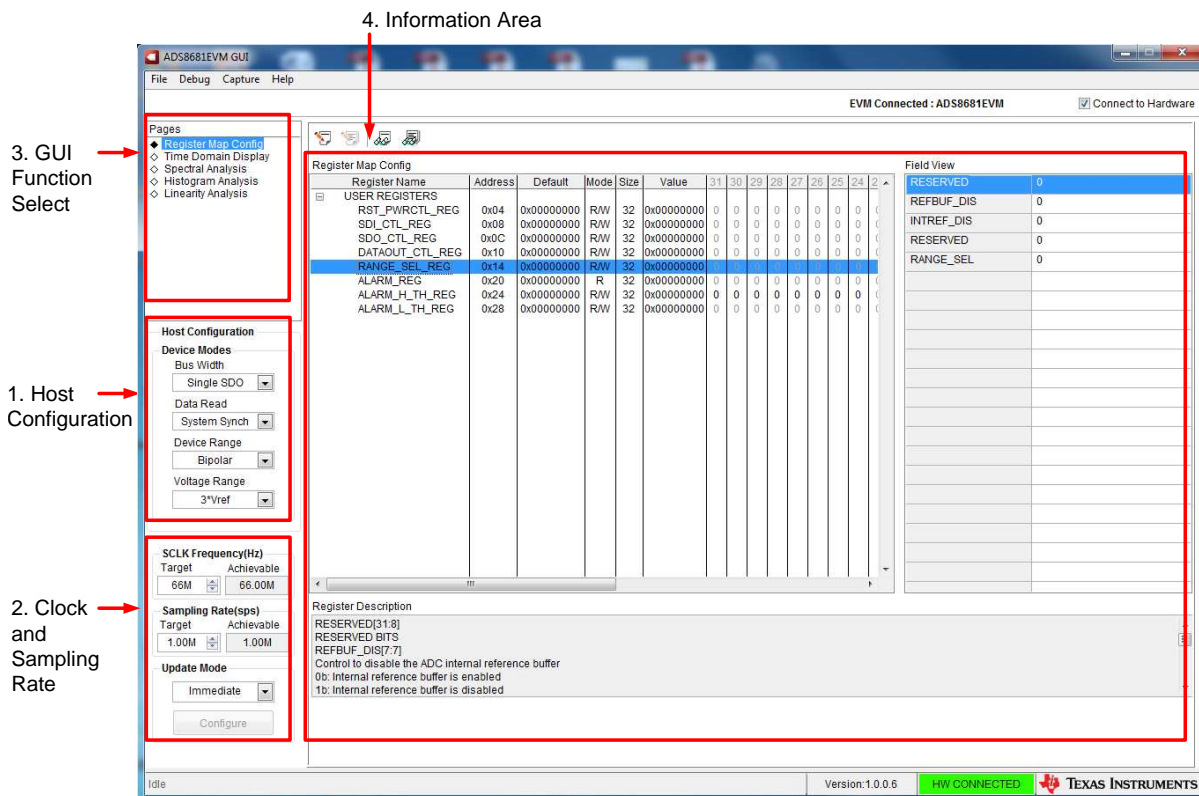


Figure 11. EVM GUI Global Input Parameters

The host configuration options in this pane allow the choice of various SPI and multiSPI host interface options available on the ADS8681. The host always communicates with the ADS8681 using the standard SPI protocol over the single SDI lane, irrespective of the mode selected for *Data Capture*.

The drop-down boxes under the *Device Modes* sub-menu allows selection of the data capture mode. The *Bus Width* drop-down allows selection between *Single-*, and *Dual-SDO* lanes; *Data Read* between *Source* and *System Synchronous* modes; *Device Range* between *Bipolar* and *Unipolar* modes, and *Voltage Range* between  $3 \times V_{ref}$ ,  $2.5 \times V_{ref}$ ,  $1.5 \times V_{ref}$ ,  $1.25 \times V_{ref}$ , and  $0.625 \times V_{ref}$  options. Detailed descriptions of each of these modes are available in the ADS8681 datasheet ([SBAS633](#)).

Selection of *SCLK Frequency* and *Sampling Rate* is allowed on this pane and is dependent of the *Device Modes* selected. Select or specify a target SCLK frequency (in Hz) and the GUI tries to match this as closely as possible by changing the PHI PLL settings and the achievable frequency that may differ from the target value displayed. Similarly, the sampling rate of the ADC can be adjusted by modifying the *Target Sampling Rate* argument (also in Hz). The achievable ADC sampling rate may differ from the target value, depending on the applied SCLK frequency and selected *Device Mode* and the closest match achievable is displayed. This pane allows the choice of various settings available on the ADS8681 in an iterative fashion until the best settings for the corresponding test scenario are discovered.

The final option in this pane is the selection for the *Update Mode*. The default value is “Immediate” which indicates that the interface settings selection is applied to configure both the host and the ADS8681 instantly. The *Manual* option indicates that the selection is made only when the final choices are decided upon and the user is ready to configure the device. This is described in more detail in the following section.

The GUI is switched between hardware mode and simulation mode by checking and unchecking the *Connected to Hardware* box in the top right area at any time.

## 6.2 Register Map Configuration Tool

The register map configuration tool allows viewing and modification all of the registers of the ADS8681. This is selected by clicking on the *Register Map Config* radio button at the *Pages* section of the left pane as indicated in [Figure 12](#).

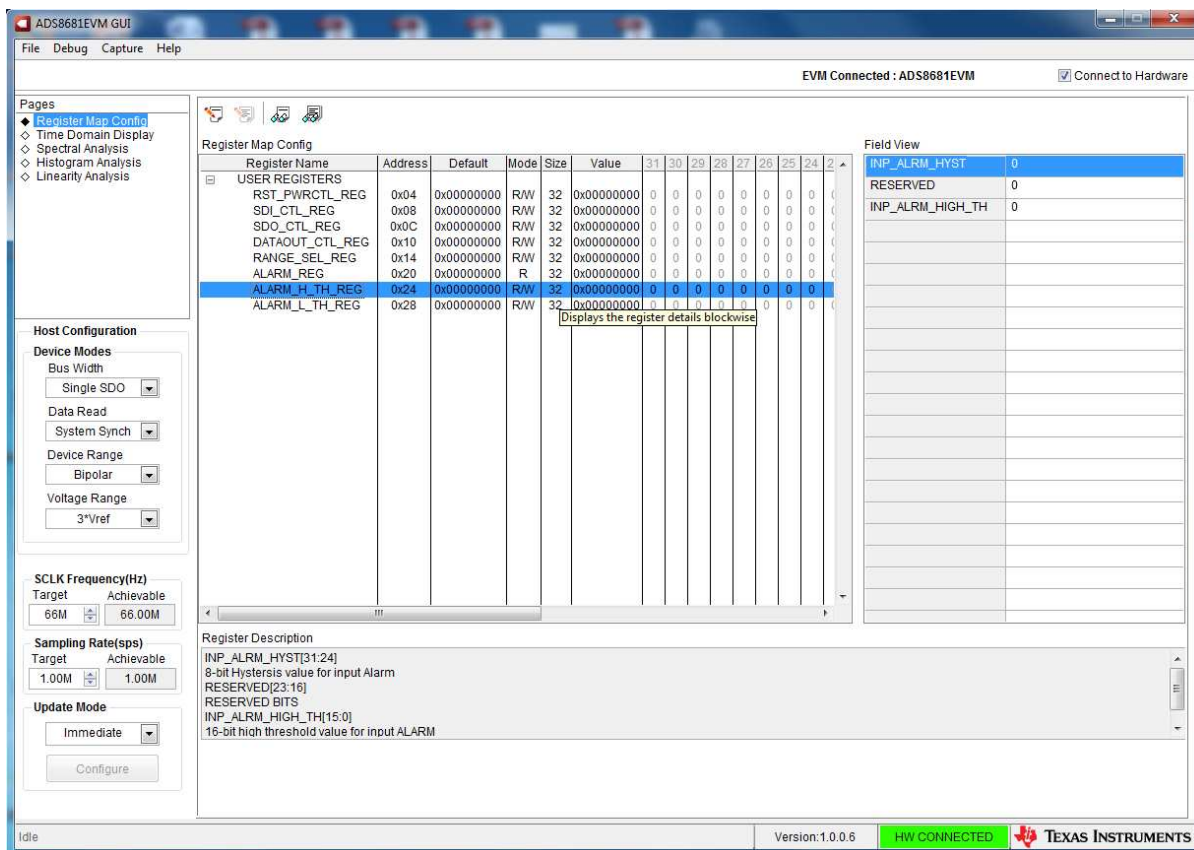


Figure 12. Register Map Configuration

On power up and initialization, the values on this page correspond to the reset values of the device registers. The register values are changed by single-clicking the corresponding bit field of the registers. If interface mode settings are affected by the change in register values, this change reflects on the left pane immediately. The impact of changes in the register value reflects on the ADS8681 device on the ADS8681EVM-PDK based on the *Update Mode* selection as described in [Section 6.1](#).

### 6.3 Time Domain Display Tool

The *Time Domain Display* tool allows visualization of the ADS8681's response to a given input signal. This tool is useful for both studying the behavior and debugging any problems with the ADC or drive circuits.

The user can trigger a capture of the data of the selected number of samples from the ADS8681, as per the current interface mode settings using the capture button as indicated on [Figure 13](#). The sample indices are on the X-axis and there are two Y-axes showing the corresponding output codes as well as the equivalent analog voltages based on the specified reference voltage, the selected *Device Range* and *Voltage Range*. The measured maximum and minimum code and equivalent voltage are also shown in the bottom right pane.

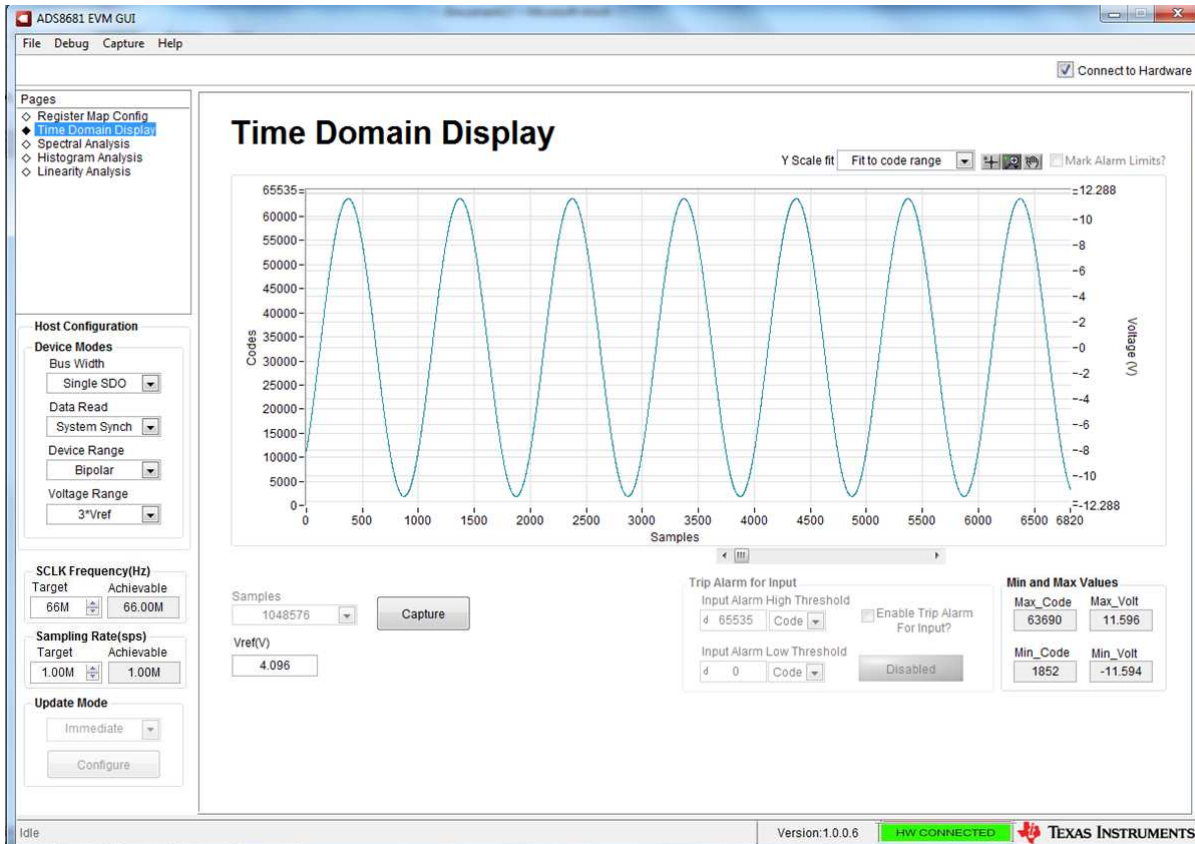


Figure 13. Time Domain Display Tool

### 6.4 Histogram Tool

Noise degrades ADC resolution and the histogram tool is used to estimate *Effective Resolution*, which is an indicator of the number of bits of ADC resolution lost due to noise generated by the various sources connected to the ADC when measuring a DC signal. The cumulative effect of noise coupling to the ADC output from sources such as the input drive circuits, the reference drive circuit, the ADC power supply, and the ADC itself is reflected in the standard deviation of the ADC's output code histogram, obtained by performing multiple conversions of a DC input applied to a given channel.

The histogram analysis corresponding to a DC input is displayed by selecting *Histogram Analysis* on *Pages* and clicking on the *Capture* button as shown in [Figure 14](#). The *Analysis* results include *Mean*, *Sigma*, *Min Code*, *Max Code*, and *Code spread*.

The X Scale of *Histogram Analysis* results are changed by selecting *Auto mode* or the default *Fit to code* range in the top right area, which is similar as the Y scale fit in the *Time Domain Display* tool.

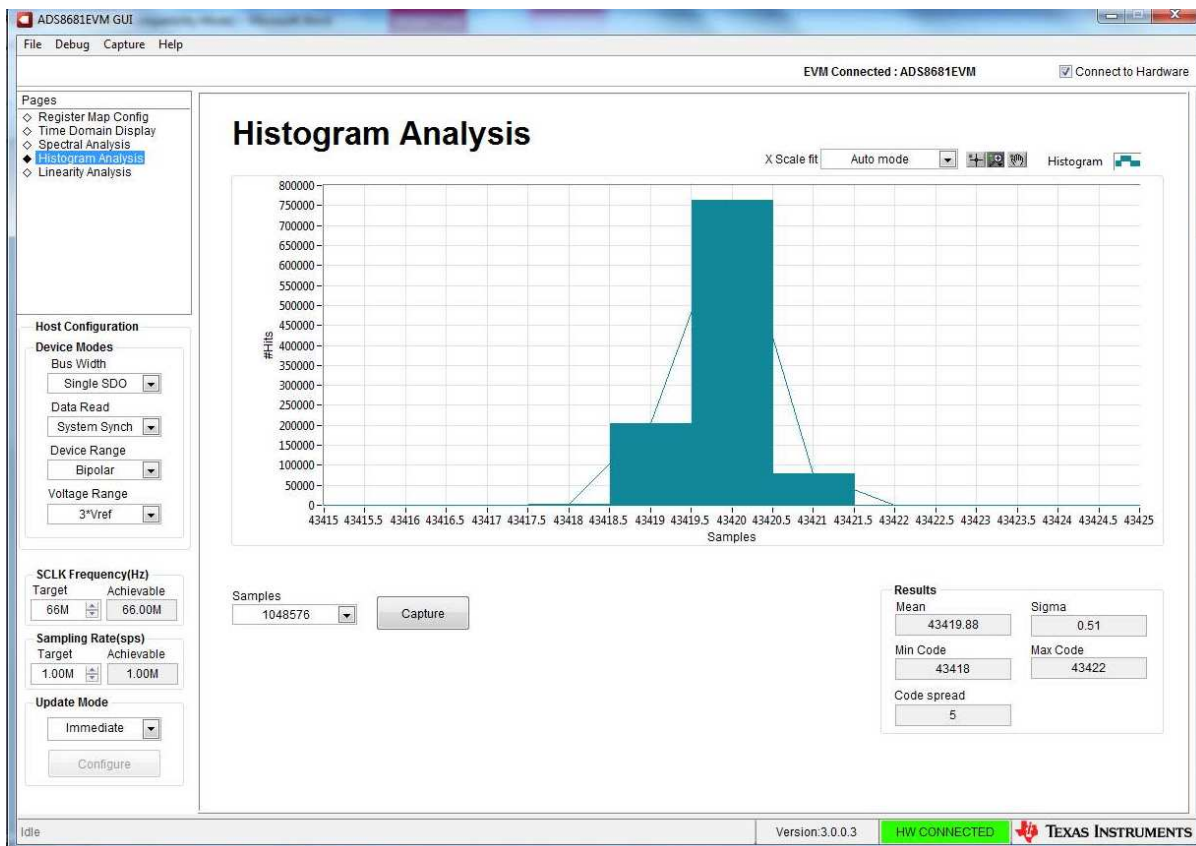


Figure 14. Histogram Analysis Tool

### 6.5 Spectral Analysis Tool

The spectral analysis tool is intended to evaluate the dynamic performance (SNR, THD, SFDR, SINAD, and ENOB) of the ADS9110 SAR ADC through single-tone sinusoidal signal FFT analysis using the 7-term Blackman-Harris window setting.

The spectral analysis corresponding to a 1-kHz sinusoidal signal and 1-Msps sampling rate is displayed on clicking the *Capture* button as shown in [Figure 15](#).

The expected ADC input is a sinusoidal signal of peak-to-peak amplitude close to the ADC’s full-scale input range (FSR). The RMS power of the input signal normalized to FSR is shown in the *Signal Power (dBFS)* field and is about  $-0.5$  dBFS (or about  $95\% \times$  FSR) to avoid the input clipping.

The sampling rate of the ADC is adjusted by modifying the target sampling rate (sps) argument which is a global setting (it affects all tools). The achievable ADC sampling rate may differ from the target value depending on the applied SCLK frequency and PHI PLL settings. Note that the user is also required to specify a target SCLK frequency which the tool tries to match as exactly as possible by iteratively changing the PHI PLL settings until convergence.



Figure 15. Spectral Analysis Tool

Finally, the *FFT* tool includes windowing options that are required to mitigate the effects of non-coherent sampling (this discussion is beyond the scope of this document). The *7-Term Blackman Harris* window is the default option and has sufficient dynamic range to resolve the frequency components of up to a 24-bit ADC. Note that the *None* option corresponds to not using a window (or using a rectangular window) and is not recommended.



### 6.6 Linearity Analysis Tool

The linearity analysis tool measures and generates the DNL and INL plots over code for the specific ADS8681 installed in the evaluation board. A 1-kHz sinusoidal input signal with very low distortion is applied for linearity analysis and shown in Figure 16, which is slightly saturated and ensures there is no damage to the ADC. It is critical for the external source linearity to be better than the ADC linearity. This is important to ensure that the measured system performance reflects the linearity errors of the ADC and is not limited by the performance of the signal source.



Figure 16. Linearity Analysis Tool

## 7 Bill of Materials, PCB Layout, Schematics

This section contains the ADS8681EVM bill of materials, PCB layout, and the EVM schematics.

### 7.1 Bill of Materials

Table 2 lists the EVM BOM.

**Table 2. ADS8681EVM-PDK Bill of Materials**

Manufacturer Part Number	QTY	Reference Designator	Manufacturer	Description
1891	4	@H1, @H2, @H3, @H4	Keystone	Hex Standoff, #4-40, Aluminum, 1/4"
MPMS 002 0005 PH	2	@H5, @H6	B&F Fastener Supply	MACHINE SCREW PAN PHILLIPS M2
C1608C0G2A331J	1	C1	TDK	CAP, CERM, 330 pF, 100 V, +/- 5%, C0G/NP0, 0603
C0603C104K5RACTU	3	C2, C10, C14	Kemet	CAP, CERM, 0.1 $\mu$ F, 50 V, +/- 10%, X7R, 0603
C1608X7R1C105K	9	C3, C4, C5, C6, C7, C11, C13, C15, C19	TDK	CAP, CERM, 1 $\mu$ F, 16 V, +/- 10%, X7R, 0603
CL21A106KAFN3NE	6	C8, C9, C16, C18, C21, C22	Samsung Electro-Mechanics	CAP, CERM, 10 $\mu$ F, 25 V, +/- 10%, X5R, 0805
GRM21BR61C226ME44	1	C12	Murata	CAP, CERM, 22 $\mu$ F, 16 V, +/- 20%, X5R, 0805
C1608C0G1H103J080AA	2	C17, C20	TDK	CAP, 10000pF, 0603, 5%, 50V, C0G
LG M67K-G1J2-24-Z	1	D2	OSRAM	LED, Green, SMD
MMSZ4696T1G	1	D3	ON Semiconductor	Diode, Zener, 9.1 V, 500 mW, SOD-123
PMSSS 440 0025 PH	4	H1, H2, H3, H4	B&F Fastener Supply	MACHINE SCREW PAN PHILLIPS 4-40
9774050243R	2	H5, H6	Würth Elektronik	ROUND STANDOFF M2 STEEL 5MM
102-1092-BL-00100	1	H7	CNC Tech	CABLE USB A MALE-B MICRO MALE 1M (Kit Item)
901-143	1	J1	Amphenol RF	Connector, TH, Right Angle SMA 50 ohm
QTH-030-01-L-D-A	1	J2	Samtec	Header(Shrouded), 19.7mil, 30x2, Gold, SMT
87898-0204	2	J3, J6	Molex	Header, 2.54 mm, 2x1, Gold, R/A, SMT
TSM-103-01-L-SV	1	J4	Samtec	Header, 100mil, 3x1, Gold, SMT
0015910080	1	J5	Molex	Header, 100mil, 4x2, Gold, SMT
BC847CLT1G	1	Q1	ON Semiconductor	Transistor, NPN, 45 V, 0.1 A, SOT-23
CRCW06030000Z0EA	5	R1, R2, R4, R5, R31	Vishay-Dale	RES, 0, 5%, 0.1 W, 0603
RC0603FR-0710KL	7	R6, R9, R13, R20, R21, R30, R32	Yageo America	RES, 10.0 k, 1%, 0.1 W, 0603
RC0603FR-07249RL	2	R7, R8	Yageo America	RES, 249, 1%, 0.1 W, 0603
RT0603BRD071KL	2	R10, R11	Yageo America	RES, 1.00 k, 0.1%, 0.1 W, 0603
ERJ-3RQFR47V	1	R12	Panasonic	RES, 0.47, 1%, 0.1 W, 0603
CRCW040249R9FKED	8	R14, R17, R19, R23, R26, R27, R28, R29	Vishay-Dale	RES, 49.9, 1%, 0.063 W, 0402
CRCW0402220KJNED	1	R15	Vishay-Dale	RES, 220 k, 5%, 0.063 W, 0402
RG1608P-1023-B-T5	1	R16	Susumu Co Ltd	RES, 102 k, 0.1%, 0.1 W, 0603
CRCW0402100KFKED	1	R18	Vishay-Dale	RES, 100 k, 1%, 0.063 W, 0402
RC0402JR-070RL	1	R22	Yageo America	RES, 0, 5%, 0.063 W, 0402
RG1608P-334-B-T5	1	R24	Susumu Co Ltd	RES, 330 k, 0.1%, 0.1 W, 0603

**Table 2. ADS8681EVM-PDK Bill of Materials (continued)**

Manufacturer Part Number	QTY	Reference Designator	Manufacturer	Description
ERJ-3RQFR22V	2	R25, R34	Panasonic	RES, 0.22, 1%, 0.1 W, 0603
CAS-120TA	1	S1	Copal Electronics	Switch, Slide, SPDT 100mA, SMT
969102-0000-DA	1	SH-J4	3M	Shunt, 100mil, Gold plated, Black
5015	5	TP1, TP2, TP3, TP4, TP5	Keystone	Test Point, Miniature, SMT
ADS8681IPWR	1	U1	Texas Instruments	SAR ADC with 16 Bits, Single Channel, 1Msps, and Bipolar Inputs off +5 V Supply, PW0016A
REF5040ID	1	U2	Texas Instruments	Low Noise, Very Low Drift, Precision Voltage Reference, -40 to 125 degC, 8-pin SOIC (D), Green (RoHS & no Sb/Br)
OPA320AIDBVR	1	U3	Texas Instruments	Precision, 20 MHz, 0.9 pA Ib, RRIO, CMOS Operational Amplifier, 1.8 to 5.5 V, -40 to 125 degC, 5-pin SOT23 (DBV0005A), Green (RoHS & no Sb/Br)
TPS7A4901DGNR	1	U4	Texas Instruments	Single Output High PSRR LDO, 150 mA, Adjustable 1.2 to 33 V Output, 3 to 36 V Input, with Ultra-Low Noise, 8-pin MSOP (DGN), -40 to 125 degC, Green (RoHS & no Sb/Br)
BR24G32FVT-3AGE2	1	U5	Rohm	I2C BUS EEPROM (2-Wire), TSSOP-B8

## 8 PCB Layout

Figure 17 through Figure 20 illustrate the EVM PCB layouts.

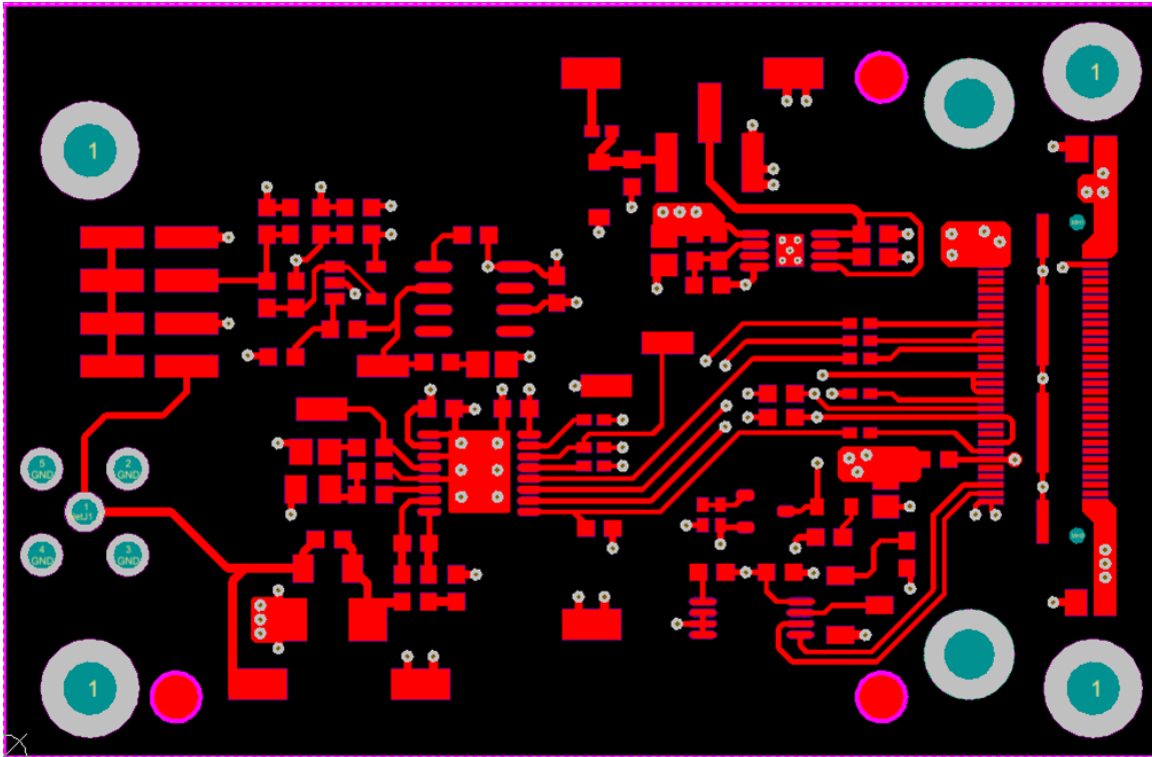


Figure 17. ADS8681EVM PCB Layer 1 – Top Layer

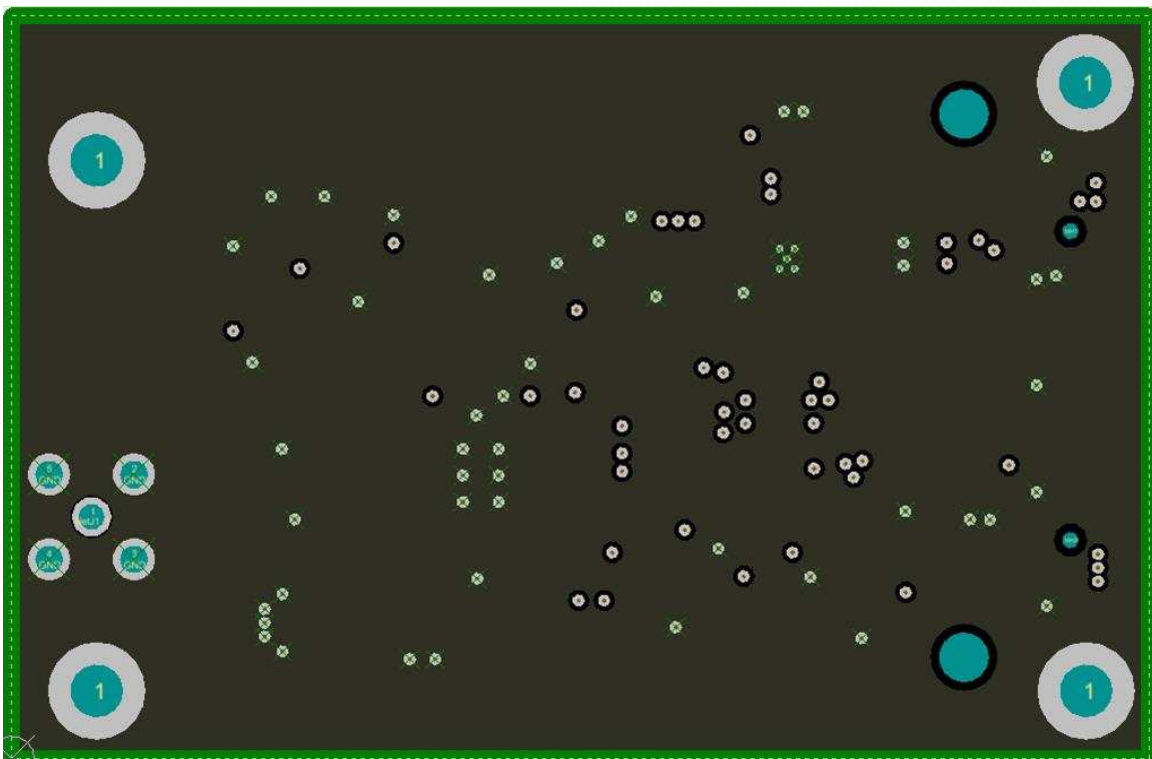


Figure 18. ADS8681EVM PCB Layer 2 – GND Plane

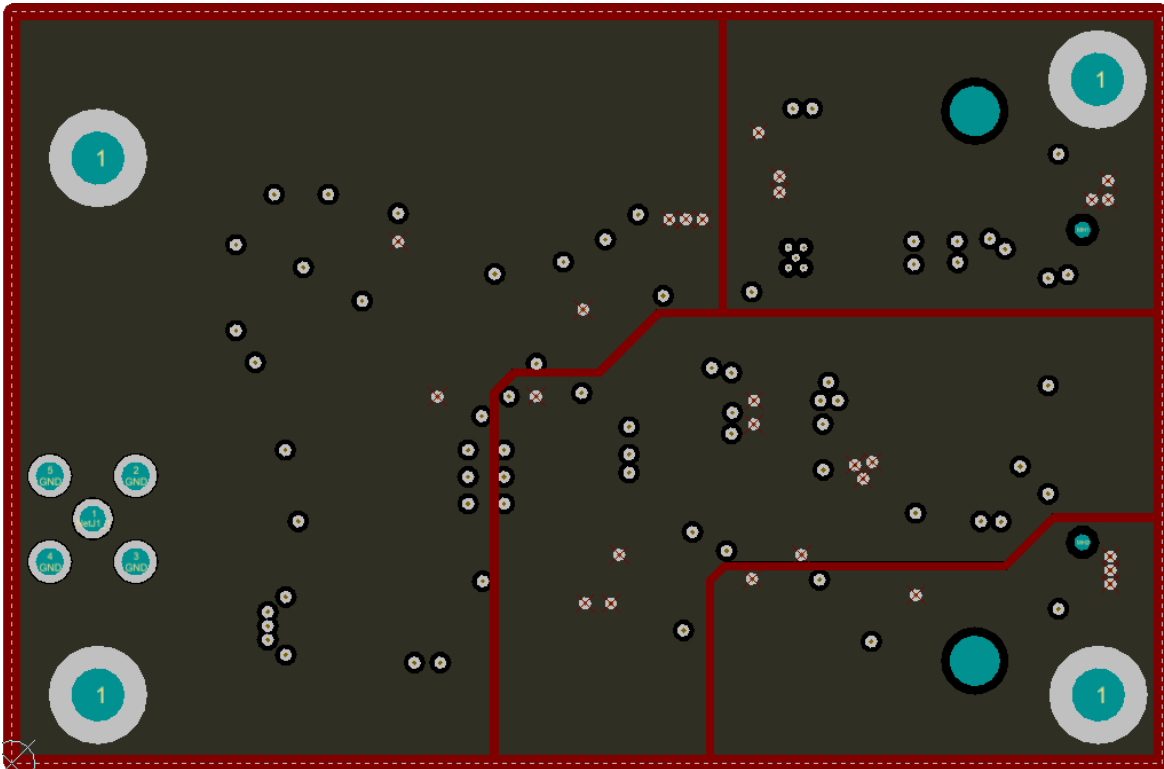


Figure 19. ADS8681EVM PCB Layer 3 – Power Planes

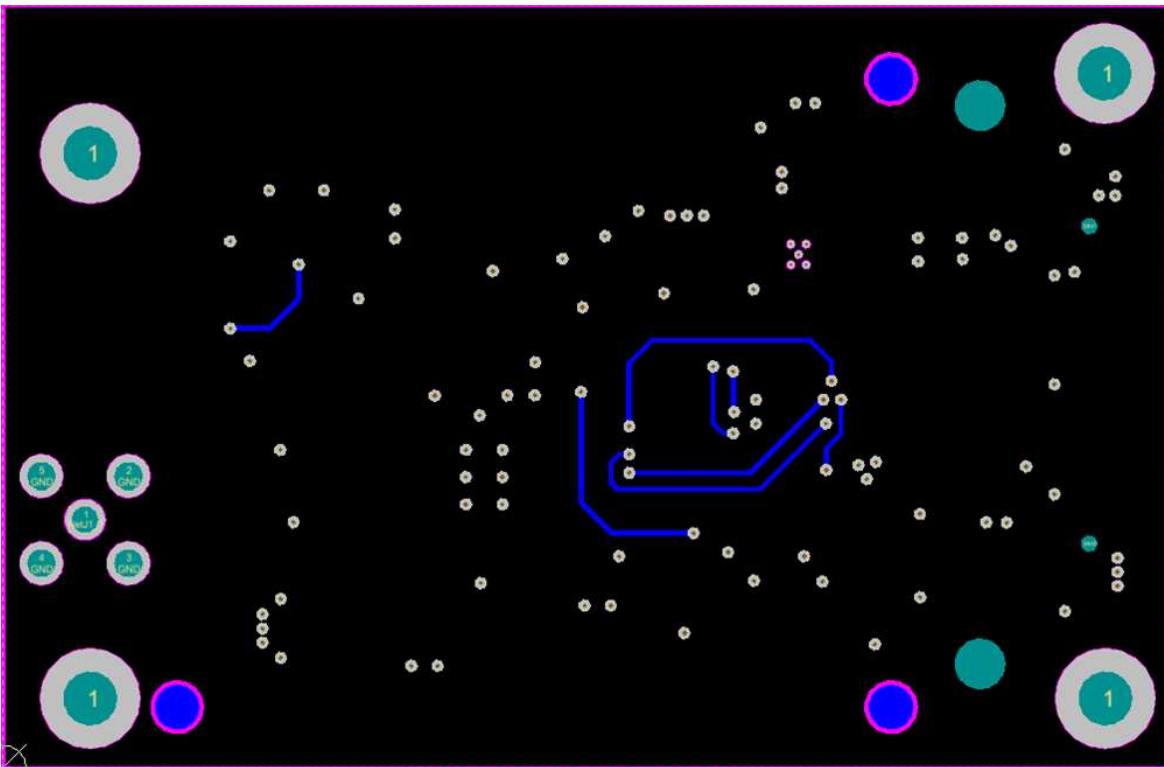


Figure 20. ADS8681EVM PCB Layer 4 – Bottom Layer

## 9 ADS8681EVM-PDK Schematics

Figure 21 and Figure 22 illustrate the EVM schematics.

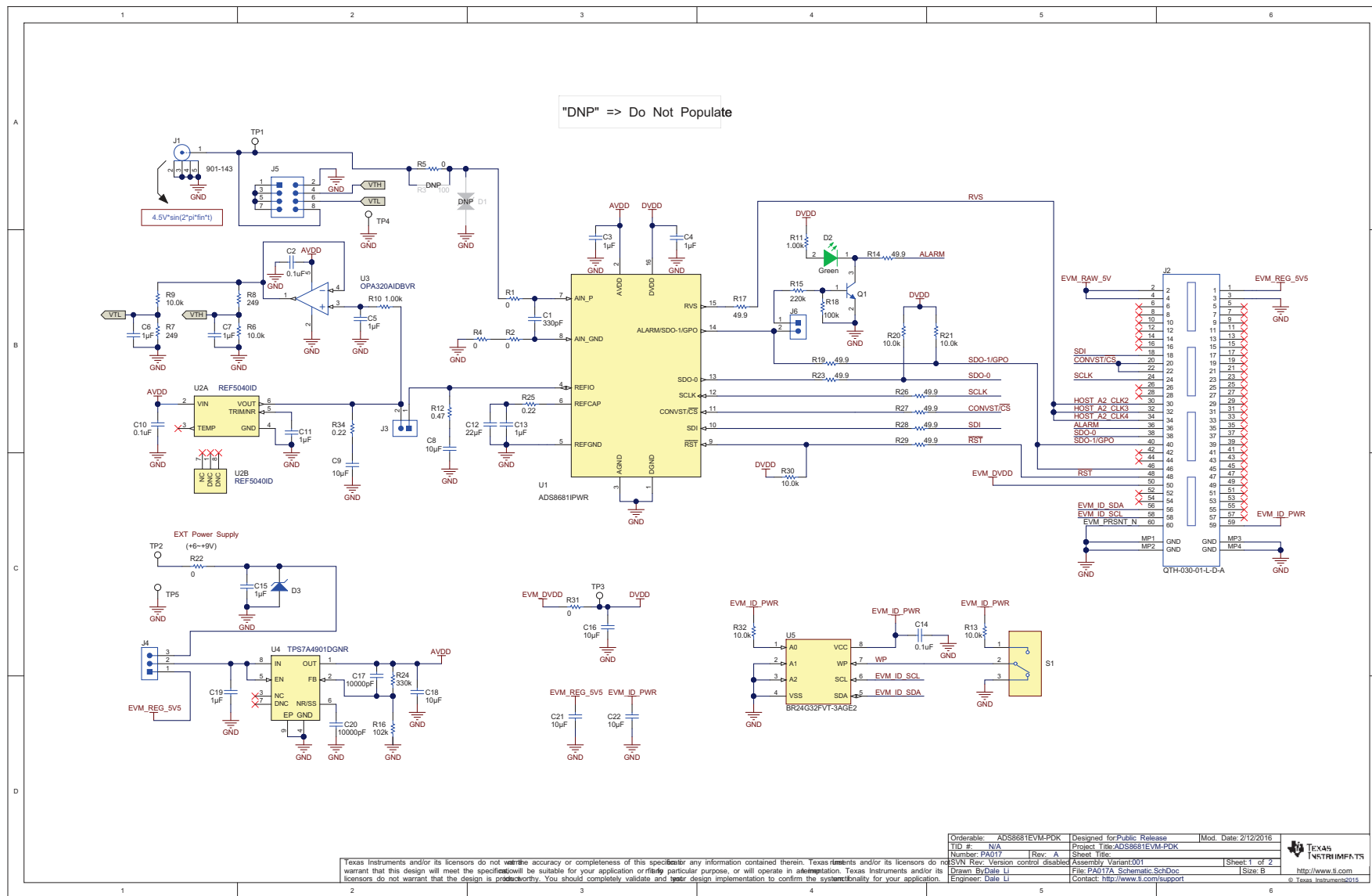


Figure 21. Schematic Diagram of ADS8681EVM – Page 1

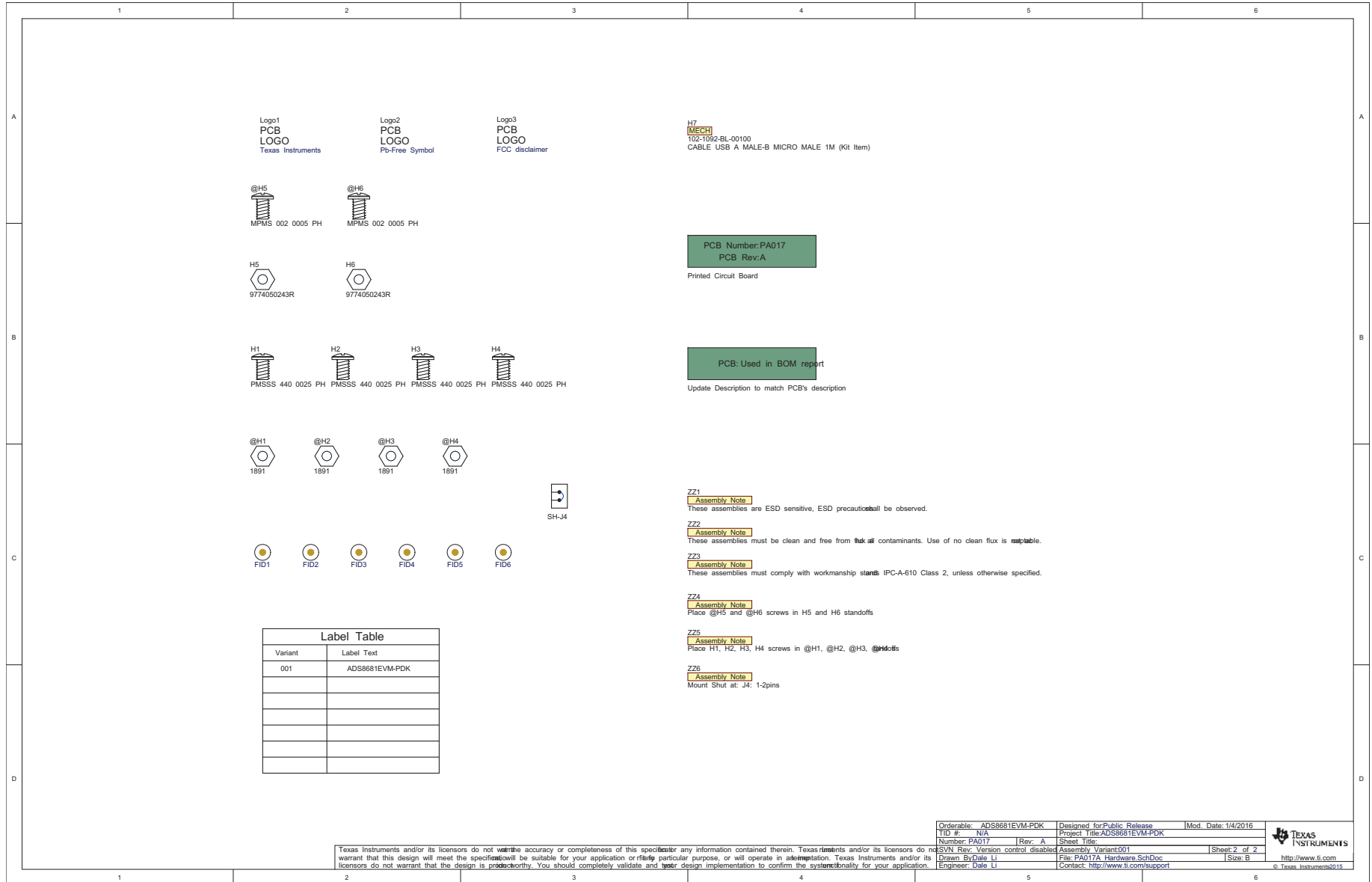


Figure 22. Schematic Diagram of ADS8681EVM – Page 2

## STANDARD TERMS AND CONDITIONS FOR EVALUATION MODULES

1. *Delivery:* TI delivers TI evaluation boards, kits, or modules, including any accompanying demonstration software, components, or documentation (collectively, an "EVM" or "EVMs") to the User ("User") in accordance with the terms and conditions set forth herein. Acceptance of the EVM is expressly subject to the following terms and conditions.
  - 1.1 EVMs are intended solely for product or software developers for use in a research and development setting to facilitate feasibility evaluation, experimentation, or scientific analysis of TI semiconductors products. EVMs have no direct function and are not finished products. EVMs shall not be directly or indirectly assembled as a part or subassembly in any finished product. For clarification, any software or software tools provided with the EVM ("Software") shall not be subject to the terms and conditions set forth herein but rather shall be subject to the applicable terms and conditions that accompany such Software
  - 1.2 EVMs are not intended for consumer or household use. EVMs may not be sold, sublicensed, leased, rented, loaned, assigned, or otherwise distributed for commercial purposes by Users, in whole or in part, or used in any finished product or production system.
2. *Limited Warranty and Related Remedies/Disclaimers:*
  - 2.1 These terms and conditions do not apply to Software. The warranty, if any, for Software is covered in the applicable Software License Agreement.
  - 2.2 TI warrants that the TI EVM will conform to TI's published specifications for ninety (90) days after the date TI delivers such EVM to User. Notwithstanding the foregoing, TI shall not be liable for any defects that are caused by neglect, misuse or mistreatment by an entity other than TI, including improper installation or testing, or for any EVMs that have been altered or modified in any way by an entity other than TI. Moreover, TI shall not be liable for any defects that result from User's design, specifications or instructions for such EVMs. Testing and other quality control techniques are used to the extent TI deems necessary or as mandated by government requirements. TI does not test all parameters of each EVM.
  - 2.3 If any EVM fails to conform to the warranty set forth above, TI's sole liability shall be at its option to repair or replace such EVM, or credit User's account for such EVM. TI's liability under this warranty shall be limited to EVMs that are returned during the warranty period to the address designated by TI and that are determined by TI not to conform to such warranty. If TI elects to repair or replace such EVM, TI shall have a reasonable time to repair such EVM or provide replacements. Repaired EVMs shall be warranted for the remainder of the original warranty period. Replaced EVMs shall be warranted for a new full ninety (90) day warranty period.
3. *Regulatory Notices:*
  - 3.1 *United States*
    - 3.1.1 *Notice applicable to EVMs not FCC-Approved:*

This kit is designed to allow product developers to evaluate electronic components, circuitry, or software associated with the kit to determine whether to incorporate such items in a finished product and software developers to write software applications for use with the end product. This kit is not a finished product and when assembled may not be resold or otherwise marketed unless all required FCC equipment authorizations are first obtained. Operation is subject to the condition that this product not cause harmful interference to licensed radio stations and that this product accept harmful interference. Unless the assembled kit is designed to operate under part 15, part 18 or part 95 of this chapter, the operator of the kit must operate under the authority of an FCC license holder or must secure an experimental authorization under part 5 of this chapter.
    - 3.1.2 *For EVMs annotated as FCC – FEDERAL COMMUNICATIONS COMMISSION Part 15 Compliant:*

### CAUTION

This device complies with part 15 of the FCC Rules. Operation is subject to the following two conditions: (1) This device may not cause harmful interference, and (2) this device must accept any interference received, including interference that may cause undesired operation.

Changes or modifications not expressly approved by the party responsible for compliance could void the user's authority to operate the equipment.

### FCC Interference Statement for Class A EVM devices

*NOTE: This equipment has been tested and found to comply with the limits for a Class A digital device, pursuant to part 15 of the FCC Rules. These limits are designed to provide reasonable protection against harmful interference when the equipment is operated in a commercial environment. This equipment generates, uses, and can radiate radio frequency energy and, if not installed and used in accordance with the instruction manual, may cause harmful interference to radio communications. Operation of this equipment in a residential area is likely to cause harmful interference in which case the user will be required to correct the interference at his own expense.*



## FCC Interference Statement for Class B EVM devices

*NOTE: This equipment has been tested and found to comply with the limits for a Class B digital device, pursuant to part 15 of the FCC Rules. These limits are designed to provide reasonable protection against harmful interference in a residential installation. This equipment generates, uses and can radiate radio frequency energy and, if not installed and used in accordance with the instructions, may cause harmful interference to radio communications. However, there is no guarantee that interference will not occur in a particular installation. If this equipment does cause harmful interference to radio or television reception, which can be determined by turning the equipment off and on, the user is encouraged to try to correct the interference by one or more of the following measures:*

- Reorient or relocate the receiving antenna.
- Increase the separation between the equipment and receiver.
- Connect the equipment into an outlet on a circuit different from that to which the receiver is connected.
- Consult the dealer or an experienced radio/TV technician for help.

### 3.2 Canada

3.2.1 For EVMs issued with an Industry Canada Certificate of Conformance to RSS-210

#### Concerning EVMs Including Radio Transmitters:

This device complies with Industry Canada license-exempt RSS standard(s). Operation is subject to the following two conditions: (1) this device may not cause interference, and (2) this device must accept any interference, including interference that may cause undesired operation of the device.

#### Concernant les EVMs avec appareils radio:

Le présent appareil est conforme aux CNR d'Industrie Canada applicables aux appareils radio exempts de licence. L'exploitation est autorisée aux deux conditions suivantes: (1) l'appareil ne doit pas produire de brouillage, et (2) l'utilisateur de l'appareil doit accepter tout brouillage radioélectrique subi, même si le brouillage est susceptible d'en compromettre le fonctionnement.

#### Concerning EVMs Including Detachable Antennas:

Under Industry Canada regulations, this radio transmitter may only operate using an antenna of a type and maximum (or lesser) gain approved for the transmitter by Industry Canada. To reduce potential radio interference to other users, the antenna type and its gain should be so chosen that the equivalent isotropically radiated power (e.i.r.p.) is not more than that necessary for successful communication. This radio transmitter has been approved by Industry Canada to operate with the antenna types listed in the user guide with the maximum permissible gain and required antenna impedance for each antenna type indicated. Antenna types not included in this list, having a gain greater than the maximum gain indicated for that type, are strictly prohibited for use with this device.

#### Concernant les EVMs avec antennes détachables

Conformément à la réglementation d'Industrie Canada, le présent émetteur radio peut fonctionner avec une antenne d'un type et d'un gain maximal (ou inférieur) approuvé pour l'émetteur par Industrie Canada. Dans le but de réduire les risques de brouillage radioélectrique à l'intention des autres utilisateurs, il faut choisir le type d'antenne et son gain de sorte que la puissance isotrope rayonnée équivalente (p.i.r.e.) ne dépasse pas l'intensité nécessaire à l'établissement d'une communication satisfaisante. Le présent émetteur radio a été approuvé par Industrie Canada pour fonctionner avec les types d'antenne énumérés dans le manuel d'usage et ayant un gain admissible maximal et l'impédance requise pour chaque type d'antenne. Les types d'antenne non inclus dans cette liste, ou dont le gain est supérieur au gain maximal indiqué, sont strictement interdits pour l'exploitation de l'émetteur.

### 3.3 Japan

3.3.1 *Notice for EVMs delivered in Japan:* Please see [http://www.tij.co.jp/lstds/ti\\_ja/general/eStore/notice\\_01.page](http://www.tij.co.jp/lstds/ti_ja/general/eStore/notice_01.page) 日本国内に輸入される評価用キット、ボードについては、次のところをご覧ください。  
[http://www.tij.co.jp/lstds/ti\\_ja/general/eStore/notice\\_01.page](http://www.tij.co.jp/lstds/ti_ja/general/eStore/notice_01.page)

3.3.2 *Notice for Users of EVMs Considered "Radio Frequency Products" in Japan:* EVMs entering Japan may not be certified by TI as conforming to Technical Regulations of Radio Law of Japan.

If User uses EVMs in Japan, not certified to Technical Regulations of Radio Law of Japan, User is required by Radio Law of Japan to follow the instructions below with respect to EVMs:

1. Use EVMs in a shielded room or any other test facility as defined in the notification #173 issued by Ministry of Internal Affairs and Communications on March 28, 2006, based on Sub-section 1.1 of Article 6 of the Ministry's Rule for Enforcement of Radio Law of Japan,
2. Use EVMs only after User obtains the license of Test Radio Station as provided in Radio Law of Japan with respect to EVMs, or
3. Use of EVMs only after User obtains the Technical Regulations Conformity Certification as provided in Radio Law of Japan with respect to EVMs. Also, do not transfer EVMs, unless User gives the same notice above to the transferee. Please note that if User does not follow the instructions above, User will be subject to penalties of Radio Law of Japan.

【無線電波を送信する製品の開発キットをお使いになる際の注意事項】 開発キットの中には技術基準適合証明を受けていないものがあります。技術適合証明を受けていないもののご使用に際しては、電波法遵守のため、以下のいずれかの措置を取っていただく必要がありますのでご注意ください。

1. 電波法施行規則第6条第1項第1号に基づく平成18年3月28日総務省告示第173号で定められた電波暗室等の試験設備でご使用いただく。
2. 実験局の免許を取得後ご使用いただく。
3. 技術基準適合証明を取得後ご使用いただく。

なお、本製品は、上記の「ご使用にあたっての注意」を譲渡先、移転先に通知しない限り、譲渡、移転できないものとします。

上記を遵守頂けない場合は、電波法の罰則が適用される可能性があることをご留意ください。日本テキサス・インスツルメンツ株式会社  
東京都新宿区西新宿 6 丁目 2 4 番 1 号  
西新宿三井ビル

3.3.3 *Notice for EVMs for Power Line Communication:* Please see [http://www.tij.co.jp/llds/ti\\_ja/general/eStore/notice\\_02.page](http://www.tij.co.jp/llds/ti_ja/general/eStore/notice_02.page)  
電力線搬送波通信についての開発キットをお使いになる際の注意事項については、次のところをご覧ください。[http://www.tij.co.jp/llds/ti\\_ja/general/eStore/notice\\_02.page](http://www.tij.co.jp/llds/ti_ja/general/eStore/notice_02.page)

#### 4 *EVM Use Restrictions and Warnings:*

4.1 EVMS ARE NOT FOR USE IN FUNCTIONAL SAFETY AND/OR SAFETY CRITICAL EVALUATIONS, INCLUDING BUT NOT LIMITED TO EVALUATIONS OF LIFE SUPPORT APPLICATIONS.

4.2 User must read and apply the user guide and other available documentation provided by TI regarding the EVM prior to handling or using the EVM, including without limitation any warning or restriction notices. The notices contain important safety information related to, for example, temperatures and voltages.

#### 4.3 *Safety-Related Warnings and Restrictions:*

4.3.1 User shall operate the EVM within TI's recommended specifications and environmental considerations stated in the user guide, other available documentation provided by TI, and any other applicable requirements and employ reasonable and customary safeguards. Exceeding the specified performance ratings and specifications (including but not limited to input and output voltage, current, power, and environmental ranges) for the EVM may cause personal injury or death, or property damage. If there are questions concerning performance ratings and specifications, User should contact a TI field representative prior to connecting interface electronics including input power and intended loads. Any loads applied outside of the specified output range may also result in unintended and/or inaccurate operation and/or possible permanent damage to the EVM and/or interface electronics. Please consult the EVM user guide prior to connecting any load to the EVM output. If there is uncertainty as to the load specification, please contact a TI field representative. During normal operation, even with the inputs and outputs kept within the specified allowable ranges, some circuit components may have elevated case temperatures. These components include but are not limited to linear regulators, switching transistors, pass transistors, current sense resistors, and heat sinks, which can be identified using the information in the associated documentation. When working with the EVM, please be aware that the EVM may become very warm.

4.3.2 EVMs are intended solely for use by technically qualified, professional electronics experts who are familiar with the dangers and application risks associated with handling electrical mechanical components, systems, and subsystems. User assumes all responsibility and liability for proper and safe handling and use of the EVM by User or its employees, affiliates, contractors or designees. User assumes all responsibility and liability to ensure that any interfaces (electronic and/or mechanical) between the EVM and any human body are designed with suitable isolation and means to safely limit accessible leakage currents to minimize the risk of electrical shock hazard. User assumes all responsibility and liability for any improper or unsafe handling or use of the EVM by User or its employees, affiliates, contractors or designees.

4.4 User assumes all responsibility and liability to determine whether the EVM is subject to any applicable international, federal, state, or local laws and regulations related to User's handling and use of the EVM and, if applicable, User assumes all responsibility and liability for compliance in all respects with such laws and regulations. User assumes all responsibility and liability for proper disposal and recycling of the EVM consistent with all applicable international, federal, state, and local requirements.

5. *Accuracy of Information:* To the extent TI provides information on the availability and function of EVMs, TI attempts to be as accurate as possible. However, TI does not warrant the accuracy of EVM descriptions, EVM availability or other information on its websites as accurate, complete, reliable, current, or error-free.

6. *Disclaimers:*
- 6.1 EXCEPT AS SET FORTH ABOVE, EVMS AND ANY WRITTEN DESIGN MATERIALS PROVIDED WITH THE EVM (AND THE DESIGN OF THE EVM ITSELF) ARE PROVIDED "AS IS" AND "WITH ALL FAULTS." TI DISCLAIMS ALL OTHER WARRANTIES, EXPRESS OR IMPLIED, REGARDING SUCH ITEMS, INCLUDING BUT NOT LIMITED TO ANY IMPLIED WARRANTIES OF MERCHANTABILITY OR FITNESS FOR A PARTICULAR PURPOSE OR NON-INFRINGEMENT OF ANY THIRD PARTY PATENTS, COPYRIGHTS, TRADE SECRETS OR OTHER INTELLECTUAL PROPERTY RIGHTS.
- 6.2 EXCEPT FOR THE LIMITED RIGHT TO USE THE EVM SET FORTH HEREIN, NOTHING IN THESE TERMS AND CONDITIONS SHALL BE CONSTRUED AS GRANTING OR CONFERRING ANY RIGHTS BY LICENSE, PATENT, OR ANY OTHER INDUSTRIAL OR INTELLECTUAL PROPERTY RIGHT OF TI, ITS SUPPLIERS/LICENSORS OR ANY OTHER THIRD PARTY, TO USE THE EVM IN ANY FINISHED END-USER OR READY-TO-USE FINAL PRODUCT, OR FOR ANY INVENTION, DISCOVERY OR IMPROVEMENT MADE, CONCEIVED OR ACQUIRED PRIOR TO OR AFTER DELIVERY OF THE EVM.
7. *USER'S INDEMNITY OBLIGATIONS AND REPRESENTATIONS.* USER WILL DEFEND, INDEMNIFY AND HOLD TI, ITS LICENSORS AND THEIR REPRESENTATIVES HARMLESS FROM AND AGAINST ANY AND ALL CLAIMS, DAMAGES, LOSSES, EXPENSES, COSTS AND LIABILITIES (COLLECTIVELY, "CLAIMS") ARISING OUT OF OR IN CONNECTION WITH ANY HANDLING OR USE OF THE EVM THAT IS NOT IN ACCORDANCE WITH THESE TERMS AND CONDITIONS. THIS OBLIGATION SHALL APPLY WHETHER CLAIMS ARISE UNDER STATUTE, REGULATION, OR THE LAW OF TORT, CONTRACT OR ANY OTHER LEGAL THEORY, AND EVEN IF THE EVM FAILS TO PERFORM AS DESCRIBED OR EXPECTED.
8. *Limitations on Damages and Liability:*
- 8.1 *General Limitations.* IN NO EVENT SHALL TI BE LIABLE FOR ANY SPECIAL, COLLATERAL, INDIRECT, PUNITIVE, INCIDENTAL, CONSEQUENTIAL, OR EXEMPLARY DAMAGES IN CONNECTION WITH OR ARISING OUT OF THESE TERMS AND CONDITIONS OR THE USE OF THE EVMS PROVIDED HEREUNDER, REGARDLESS OF WHETHER TI HAS BEEN ADVISED OF THE POSSIBILITY OF SUCH DAMAGES. EXCLUDED DAMAGES INCLUDE, BUT ARE NOT LIMITED TO, COST OF REMOVAL OR REINSTALLATION, ANCILLARY COSTS TO THE PROCUREMENT OF SUBSTITUTE GOODS OR SERVICES, RETESTING, OUTSIDE COMPUTER TIME, LABOR COSTS, LOSS OF GOODWILL, LOSS OF PROFITS, LOSS OF SAVINGS, LOSS OF USE, LOSS OF DATA, OR BUSINESS INTERRUPTION. NO CLAIM, SUIT OR ACTION SHALL BE BROUGHT AGAINST TI MORE THAN ONE YEAR AFTER THE RELATED CAUSE OF ACTION HAS OCCURRED.
- 8.2 *Specific Limitations.* IN NO EVENT SHALL TI'S AGGREGATE LIABILITY FROM ANY WARRANTY OR OTHER OBLIGATION ARISING OUT OF OR IN CONNECTION WITH THESE TERMS AND CONDITIONS, OR ANY USE OF ANY TI EVM PROVIDED HEREUNDER, EXCEED THE TOTAL AMOUNT PAID TO TI FOR THE PARTICULAR UNITS SOLD UNDER THESE TERMS AND CONDITIONS WITH RESPECT TO WHICH LOSSES OR DAMAGES ARE CLAIMED. THE EXISTENCE OF MORE THAN ONE CLAIM AGAINST THE PARTICULAR UNITS SOLD TO USER UNDER THESE TERMS AND CONDITIONS SHALL NOT ENLARGE OR EXTEND THIS LIMIT.
9. *Return Policy.* Except as otherwise provided, TI does not offer any refunds, returns, or exchanges. Furthermore, no return of EVM(s) will be accepted if the package has been opened and no return of the EVM(s) will be accepted if they are damaged or otherwise not in a resalable condition. If User feels it has been incorrectly charged for the EVM(s) it ordered or that delivery violates the applicable order, User should contact TI. All refunds will be made in full within thirty (30) working days from the return of the components(s), excluding any postage or packaging costs.
10. *Governing Law:* These terms and conditions shall be governed by and interpreted in accordance with the laws of the State of Texas, without reference to conflict-of-laws principles. User agrees that non-exclusive jurisdiction for any dispute arising out of or relating to these terms and conditions lies within courts located in the State of Texas and consents to venue in Dallas County, Texas. Notwithstanding the foregoing, any judgment may be enforced in any United States or foreign court, and TI may seek injunctive relief in any United States or foreign court.

Mailing Address: Texas Instruments, Post Office Box 655303, Dallas, Texas 75265  
Copyright © 2015, Texas Instruments Incorporated

## IMPORTANT NOTICE

Texas Instruments Incorporated and its subsidiaries (TI) reserve the right to make corrections, enhancements, improvements and other changes to its semiconductor products and services per JESD46, latest issue, and to discontinue any product or service per JESD48, latest issue. Buyers should obtain the latest relevant information before placing orders and should verify that such information is current and complete. All semiconductor products (also referred to herein as "components") are sold subject to TI's terms and conditions of sale supplied at the time of order acknowledgment.

TI warrants performance of its components to the specifications applicable at the time of sale, in accordance with the warranty in TI's terms and conditions of sale of semiconductor products. Testing and other quality control techniques are used to the extent TI deems necessary to support this warranty. Except where mandated by applicable law, testing of all parameters of each component is not necessarily performed.

TI assumes no liability for applications assistance or the design of Buyers' products. Buyers are responsible for their products and applications using TI components. To minimize the risks associated with Buyers' products and applications, Buyers should provide adequate design and operating safeguards.

TI does not warrant or represent that any license, either express or implied, is granted under any patent right, copyright, mask work right, or other intellectual property right relating to any combination, machine, or process in which TI components or services are used. Information published by TI regarding third-party products or services does not constitute a license to use such products or services or a warranty or endorsement thereof. Use of such information may require a license from a third party under the patents or other intellectual property of the third party, or a license from TI under the patents or other intellectual property of TI.

Reproduction of significant portions of TI information in TI data books or data sheets is permissible only if reproduction is without alteration and is accompanied by all associated warranties, conditions, limitations, and notices. TI is not responsible or liable for such altered documentation. Information of third parties may be subject to additional restrictions.

Resale of TI components or services with statements different from or beyond the parameters stated by TI for that component or service voids all express and any implied warranties for the associated TI component or service and is an unfair and deceptive business practice. TI is not responsible or liable for any such statements.

Buyer acknowledges and agrees that it is solely responsible for compliance with all legal, regulatory and safety-related requirements concerning its products, and any use of TI components in its applications, notwithstanding any applications-related information or support that may be provided by TI. Buyer represents and agrees that it has all the necessary expertise to create and implement safeguards which anticipate dangerous consequences of failures, monitor failures and their consequences, lessen the likelihood of failures that might cause harm and take appropriate remedial actions. Buyer will fully indemnify TI and its representatives against any damages arising out of the use of any TI components in safety-critical applications.

In some cases, TI components may be promoted specifically to facilitate safety-related applications. With such components, TI's goal is to help enable customers to design and create their own end-product solutions that meet applicable functional safety standards and requirements. Nonetheless, such components are subject to these terms.

No TI components are authorized for use in FDA Class III (or similar life-critical medical equipment) unless authorized officers of the parties have executed a special agreement specifically governing such use.

Only those TI components which TI has specifically designated as military grade or "enhanced plastic" are designed and intended for use in military/aerospace applications or environments. Buyer acknowledges and agrees that any military or aerospace use of TI components which have **not** been so designated is solely at the Buyer's risk, and that Buyer is solely responsible for compliance with all legal and regulatory requirements in connection with such use.

TI has specifically designated certain components as meeting ISO/TS16949 requirements, mainly for automotive use. In any case of use of non-designated products, TI will not be responsible for any failure to meet ISO/TS16949.

### Products

Audio	<a href="http://www.ti.com/audio">www.ti.com/audio</a>
Amplifiers	<a href="http://amplifier.ti.com">amplifier.ti.com</a>
Data Converters	<a href="http://dataconverter.ti.com">dataconverter.ti.com</a>
DLP® Products	<a href="http://www.dlp.com">www.dlp.com</a>
DSP	<a href="http://dsp.ti.com">dsp.ti.com</a>
Clocks and Timers	<a href="http://www.ti.com/clocks">www.ti.com/clocks</a>
Interface	<a href="http://interface.ti.com">interface.ti.com</a>
Logic	<a href="http://logic.ti.com">logic.ti.com</a>
Power Mgmt	<a href="http://power.ti.com">power.ti.com</a>
Microcontrollers	<a href="http://microcontroller.ti.com">microcontroller.ti.com</a>
RFID	<a href="http://www.ti-rfid.com">www.ti-rfid.com</a>
OMAP Applications Processors	<a href="http://www.ti.com/omap">www.ti.com/omap</a>
Wireless Connectivity	<a href="http://www.ti.com/wirelessconnectivity">www.ti.com/wirelessconnectivity</a>

### Applications

Automotive and Transportation	<a href="http://www.ti.com/automotive">www.ti.com/automotive</a>
Communications and Telecom	<a href="http://www.ti.com/communications">www.ti.com/communications</a>
Computers and Peripherals	<a href="http://www.ti.com/computers">www.ti.com/computers</a>
Consumer Electronics	<a href="http://www.ti.com/consumer-apps">www.ti.com/consumer-apps</a>
Energy and Lighting	<a href="http://www.ti.com/energy">www.ti.com/energy</a>
Industrial	<a href="http://www.ti.com/industrial">www.ti.com/industrial</a>
Medical	<a href="http://www.ti.com/medical">www.ti.com/medical</a>
Security	<a href="http://www.ti.com/security">www.ti.com/security</a>
Space, Avionics and Defense	<a href="http://www.ti.com/space-avionics-defense">www.ti.com/space-avionics-defense</a>
Video and Imaging	<a href="http://www.ti.com/video">www.ti.com/video</a>

### TI E2E Community

[e2e.ti.com](http://e2e.ti.com)