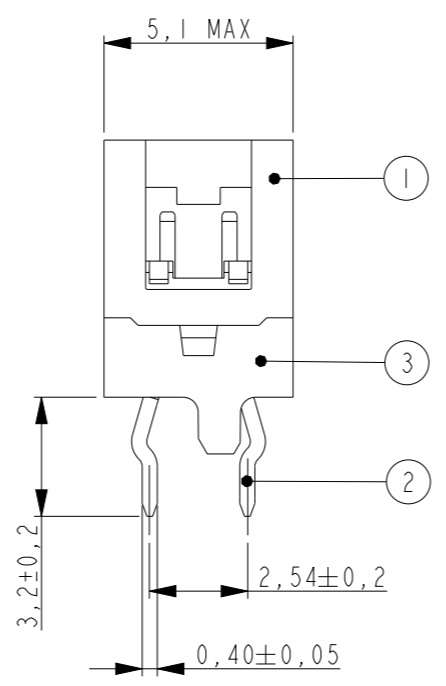
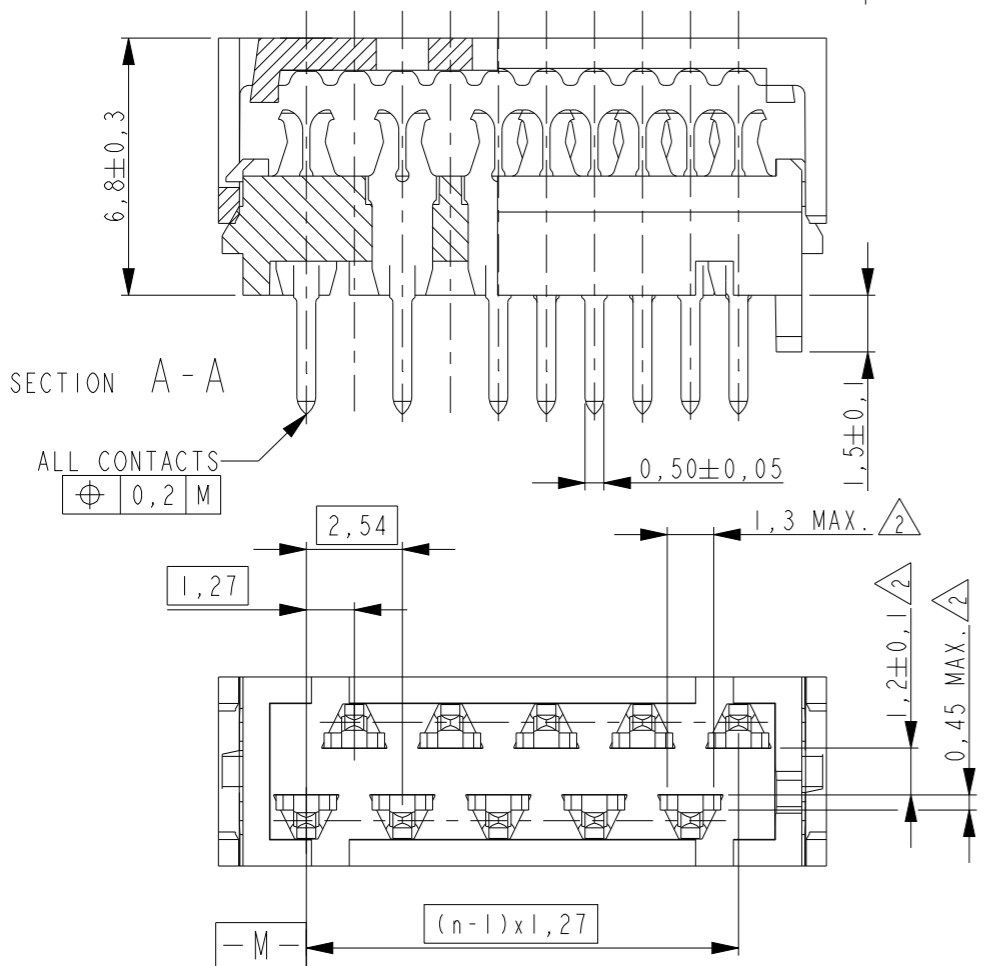
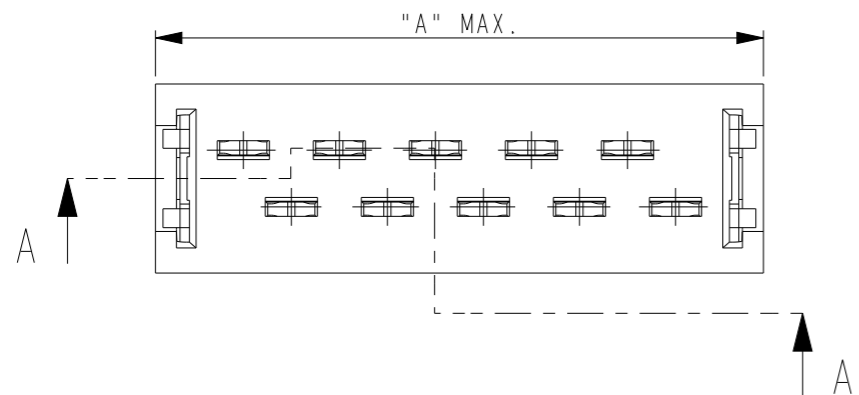
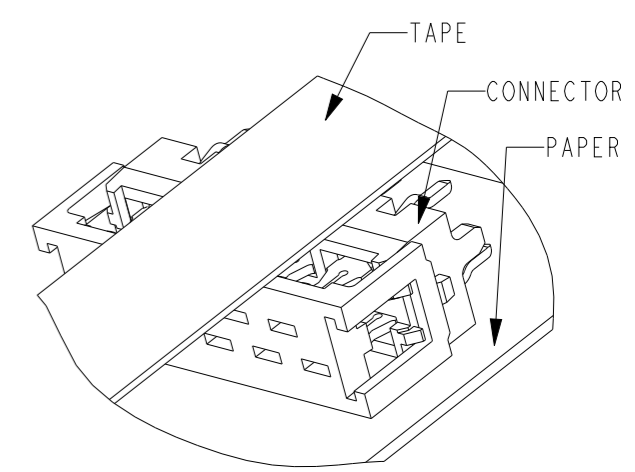


P	LTR	DESCRIPTION	DATE	DWN	APVD
A		INITIAL RELEASE	18AUG2014	PS	JK
AI		PN STATUS UPDATED	17MAY2021	SB	KJK

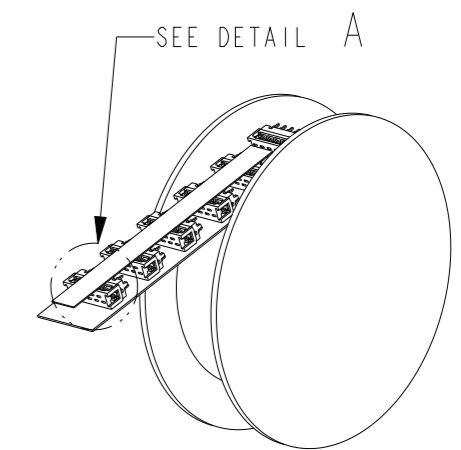


PART NUMBER REEL PACKAGING	NO. OF POS "n"	DIMENSION "A" MAX
3 2178713-4	4	8,6
3 2178713-6	6	11,1
3 2178713-8	8	13,6
1-2178713-0	10	16,2
3 1-2178713-2	12	18,7
3 1-2178713-4	14	21,3
3 1-2178713-6	16	23,8
3 1-2178713-8	18	26,3
3 2-2178713-0	20	28,9



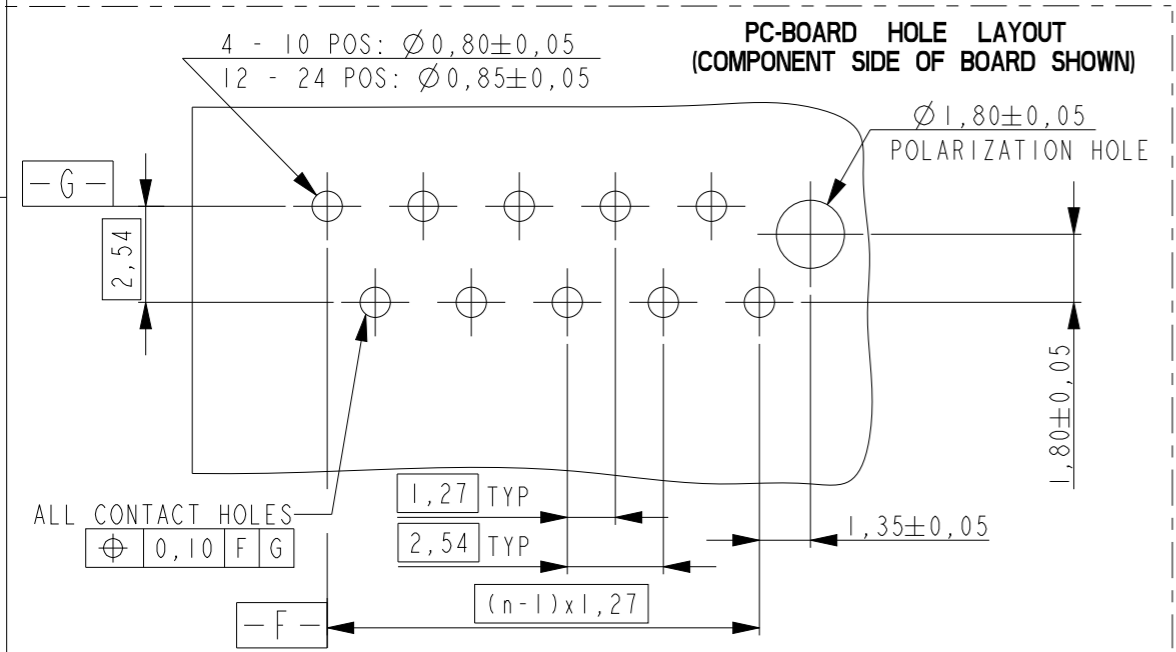
DETAIL A

DEREELING DIRECTION AND POSITION OF CONNECTORS.



REEL PACKAGING

- NOTES:
- 1 SHOWN IS A 10 POS. CONNECTOR
  - 2 REF. CONTACT SHOULDER BOTTOM, THAT CAN TOUCH THE PC-BOARD SURFACE.
  - 3 OBSOLETE



THIS DRAWING IS A CONTROLLED DOCUMENT.

DIMENSIONS: mm	TOLERANCES UNLESS OTHERWISE SPECIFIED:
	0 PLC ±-
	1 PLC ±-
	2 PLC ±-
	3 PLC ±-
	4 PLC ±-
	ANGLES ±-
MATERIAL SEE TABLE	FINISH SEE TABLE

3	PADDLE BOARD HOUSING	PBT, GF	BLACK
2	PADDLE BOARD CONTACT	TIN BRASS	3.0 - 5.0µm TIN OVER 0.5µm NICKEL
1	COVER	PBT, GF	BLACK
ITEM NO.	DESCRIPTION	MATERIAL	FINISH / COLOR
DWN 08AUG2014 PRASHANTH			
CHK 13AUG2014 PRASHANTH S			
APVD 14AUG2014 JAYANTH KUMAR			
PRODUCT SPEC	108-32087		
APPLICATION SPEC	114-19016		
WEIGHT	-		
CUSTOMER DRAWING	SCALE 5:1	SHEET 1 OF 1	REV AI



NAME  
Micro-MaTch VALUE LINE  
PADDLE BOARD CONNECTOR

SIZE	CAGE CODE	DRAWING NO	RESTRICTED TO
A3	00779	C-2178713	