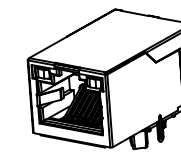
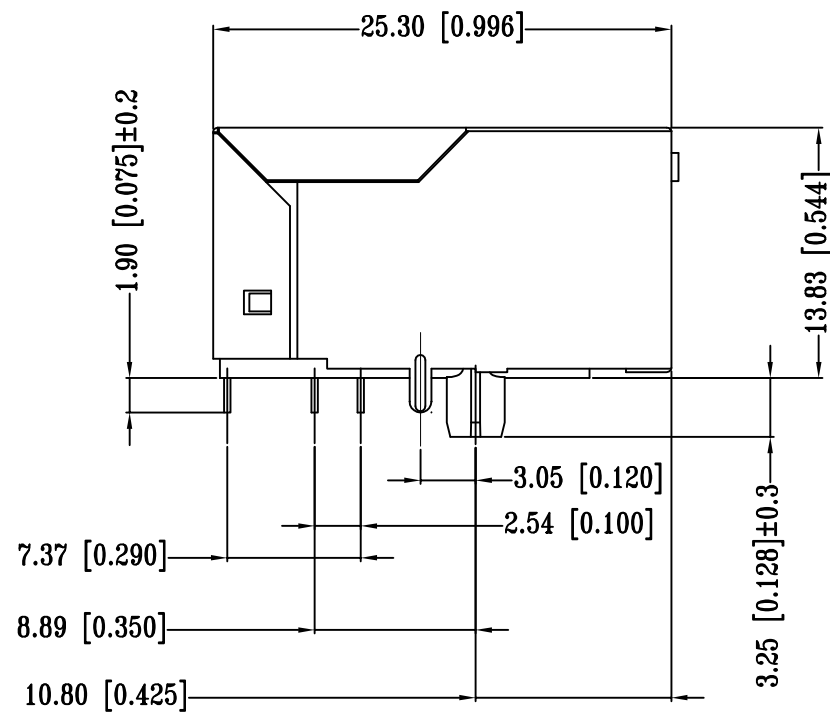
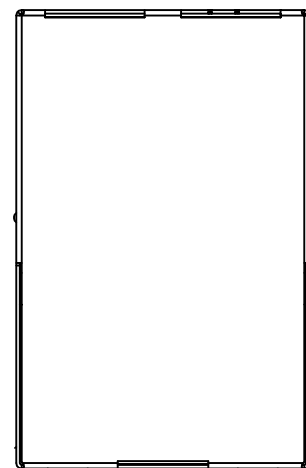
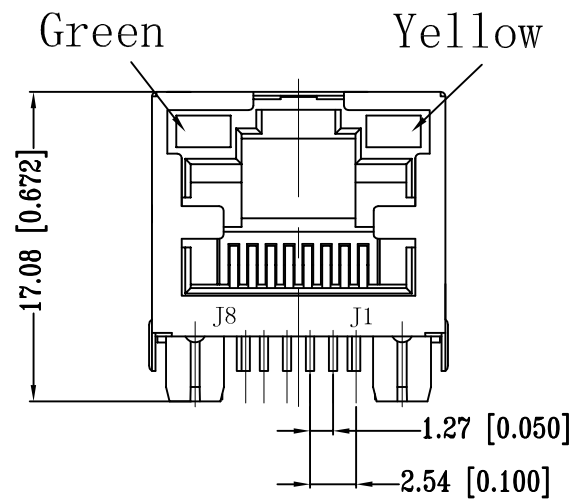
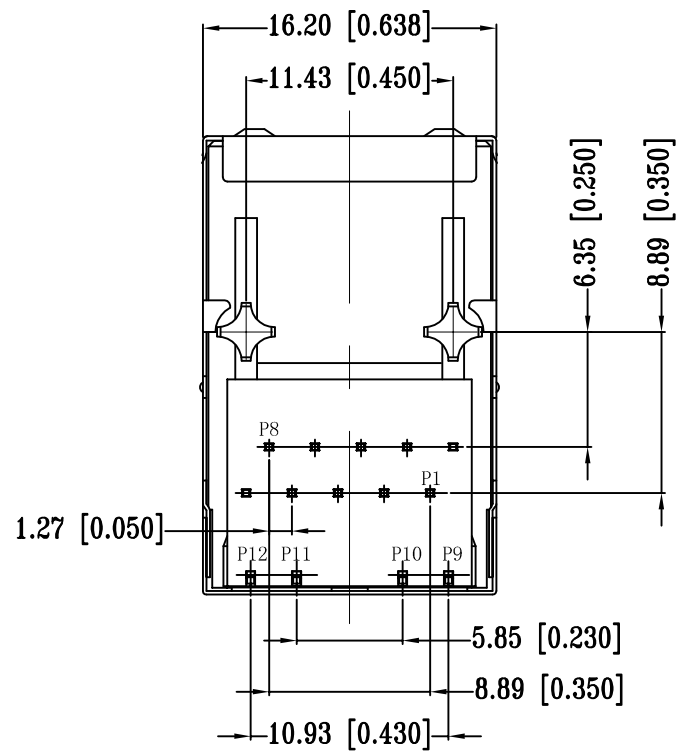


P	LTR	DESCRIPTION	DATE	DWN	APVD
	A2	NEW DRAWING PUBLISHED	26MAY2017	GCM	MSZ



1:1

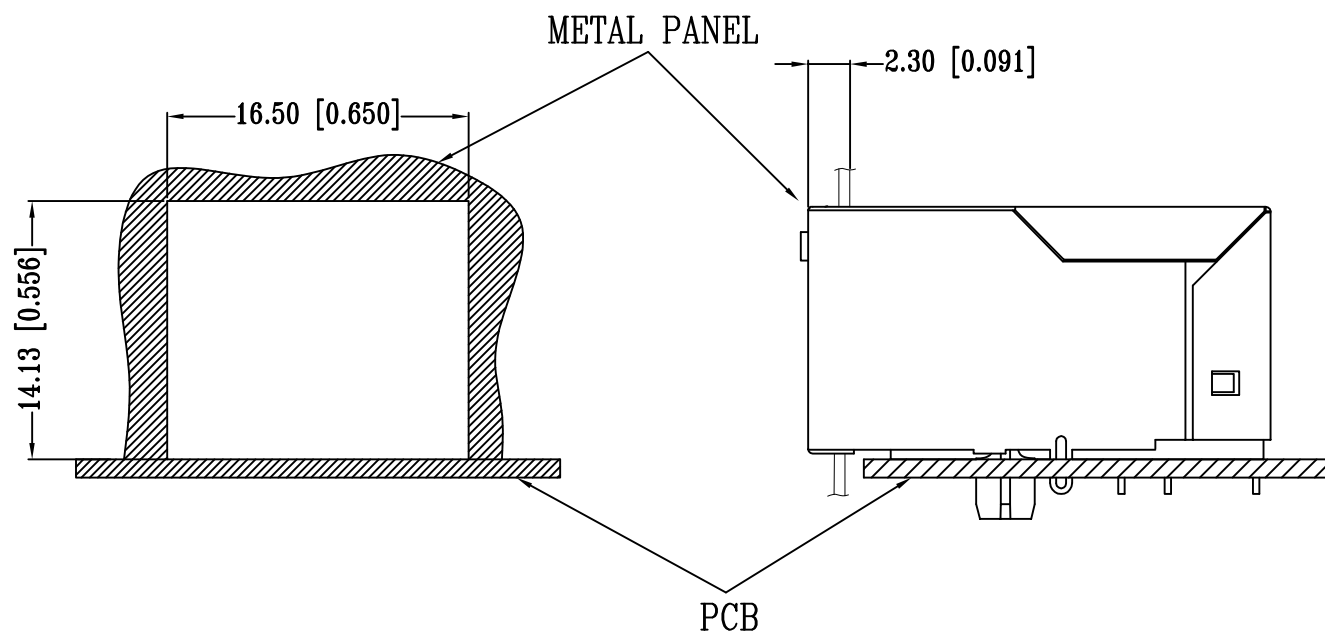
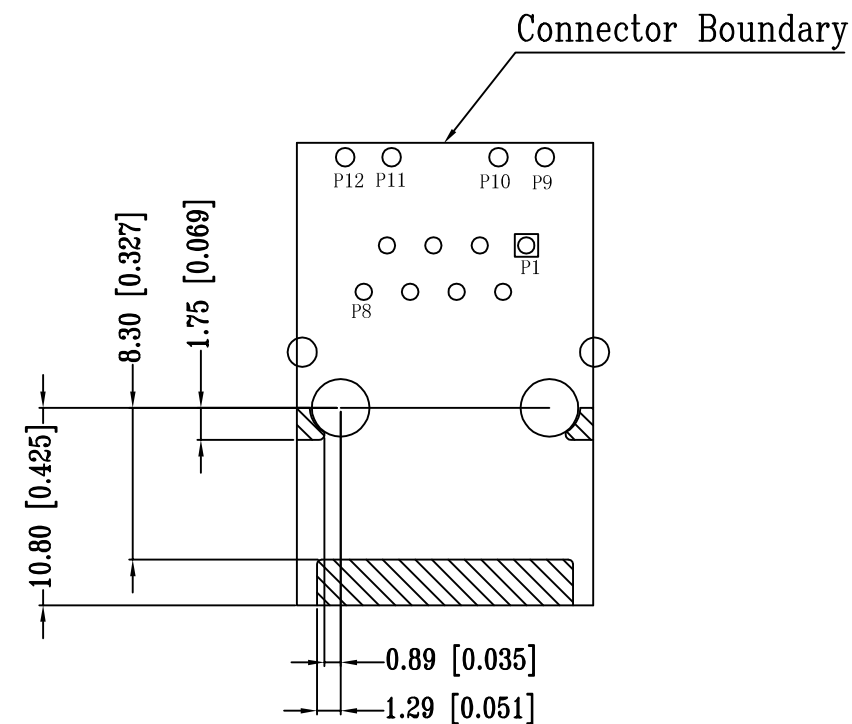
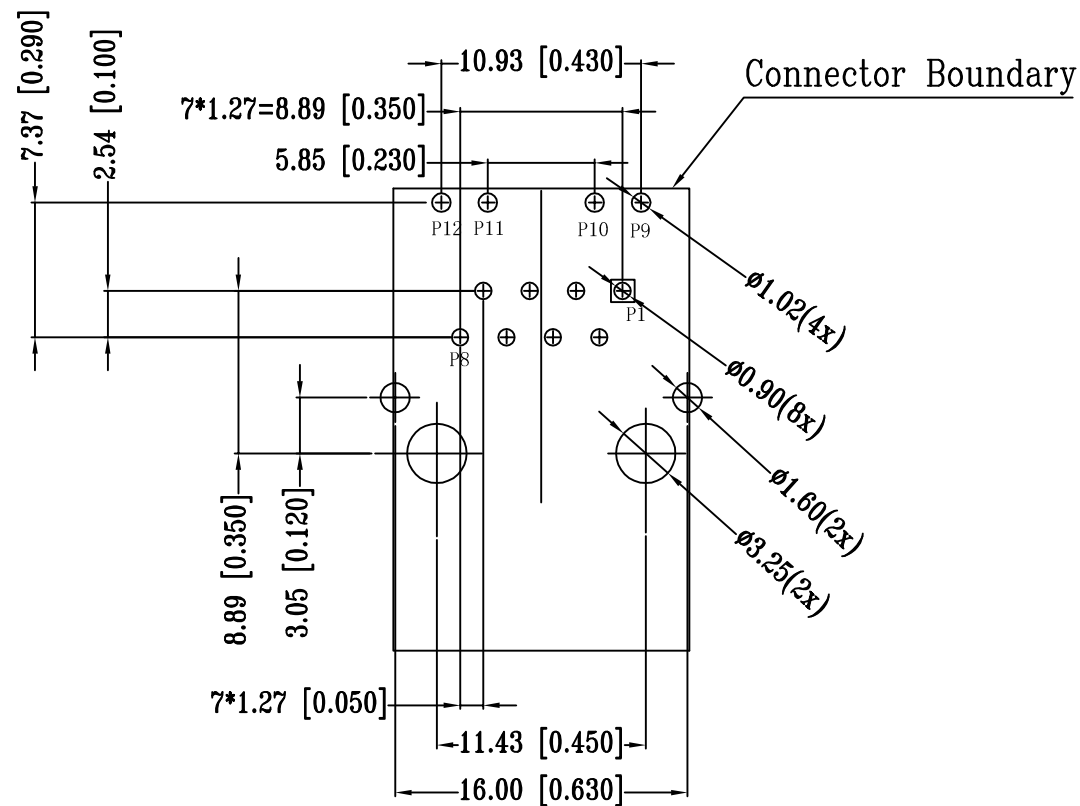
- 1 CONNECTOR MATERIAL:
HOUSING: LCP BLACK UL94 V-0
INSERT: LCP BLACK UL94 V-0
SHIELD: BRASS
SHIELD PLATING: NICKEL
CONTACT: COPPER ALLOY
CONTACT PLATING: SELECTIVE GOLD, MIN. 0.76 μm (30 μ in) IN CONTACT AREA
OVER MIN. 1.27 μm (50 μ inch) NICKEL
SOLDER PIN PLATING: 3.05 μm (120 μ inch) TIN OVER 1.02 μm (40 μ inch) NICKEL
OVER ALL
SHIELDING PIN PLATING: NICKEL
- 2 PIN NOT ELECTRICALLY CONNECTED MAYBE OMITTED SEE ELECTRICAL CIRCUIT DIAGRAM FOR OMITTED PINS
- 3 RJ45 CAVITIES CONFORM TO FCC RULES AND REGULATION PART 68.
- 4 THE PART IS RECOMMENDED FOR REFLOW SOLDERING PROCESS PEAK SOLDERING: TEMPERATURE IS MAX. 260° C, MAX. 10s
- 5 OPERATING TEMPERATURE T=-40° C TO +85° C.
- 6 STORAGE TEMPERATURE T=-40° C TO +85° C.
- 7 UNLESS OTHERWISE SPECIFIED, SEE TABLE FOR ALL DIMENSIONS TOLERANCES
- 8 JACK CONFIGURATION: 1 x 1
TAB DIRECTION: UP
- 9 PACKAGING: REEL (T+R) ACCORDING TO PACKAGING SPECIFICATION 107-18116

TABLE OF TOLERANCE (mm)	
RANGE	TOLERANCE
0-10	±0.15
>10-40	±0.25
>40-70	±0.30
>70	±0.40


THIS DRAWING IS A CONTROLLED DOCUMENT.		DWN GANESH C M 27AUG2016	STE TE Connectivity		
DIMENSIONS: mm [INCHES]		CHK FRANZ MUELLER 26MAY2017			
TOLERANCES UNLESS OTHERWISE SPECIFIED:		APVD MARTIN SZELAG 26MAY2017	NAME RJ45 JACK INT.MAG. 10/100 LED 1X1 INV.		
0 PLC ± -		PRODUCT SPEC	108-94552		
1 PLC ± -		APPLICATION SPEC	114-94447		
2 PLC ± -		WEIGHT	0		
3 PLC ± -		SIZE	A3		
4 PLC ± -		CAGE CODE	00779		
ANGLES ± -		DRAWING NO	C=1-2301994-5		
MATERIAL		RESTRICTED TO	-		
FINISH		SCALE	3:1		
1		SHEET	1 OF 3		
1		REV	A2		
CUSTOMER DRAWING					

P	LTR	DESCRIPTION	DATE	DWN	APVD
-	-	SEE SHEET 1	-	-	-

SUGGESTED PCB LAYOUT

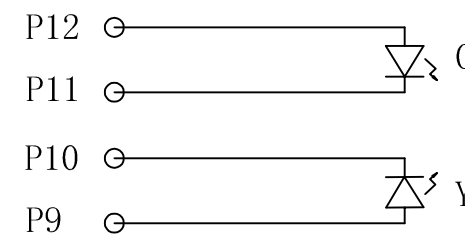
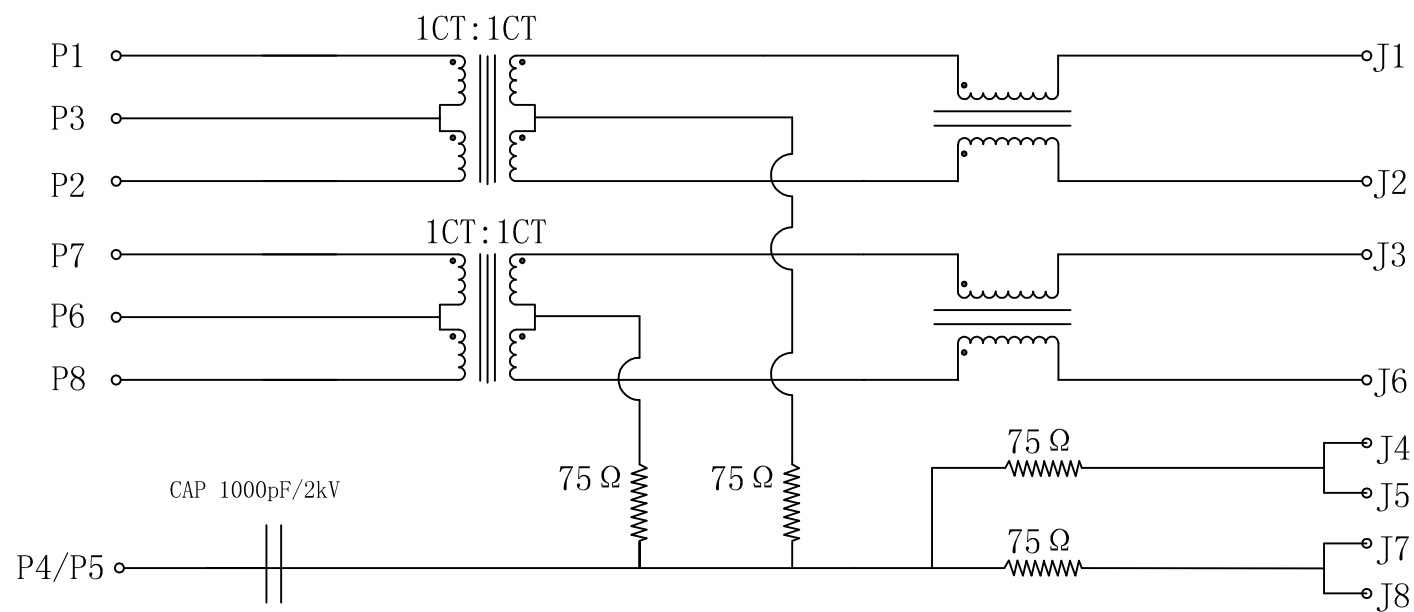


UNIT: mm / inch
TOLERANCES: $\pm 0.10 / 0.004$

THIS DRAWING IS A CONTROLLED DOCUMENT.		DWN GANESH C M 27AUG2016	 TE Connectivity		
DIMENSIONS: mm [INCHES]		CHK FRANZ MUELLER 26MAY2017			
TOLERANCES UNLESS OTHERWISE SPECIFIED:		APVD MARTIN SZELAG 26MAY2017	NAME RJ45 JACK INT.MAG. 10/100 LED 1X1 INV.		
0 PLC $\pm -$ 1 PLC $\pm -$ 2 PLC $\pm -$ 3 PLC $\pm -$ 4 PLC $\pm -$ ANGLES $\pm -$		PRODUCT SPEC 108-94552	SIZE A3		
MATERIAL 1		FINISH 1	APPLICATION SPEC 114-94447	CAGE CODE 00779	DRAWING NO C=1-2301994-5
		WEIGHT -	RESTRICTED TO -		
CUSTOMER DRAWING			SCALE 3:1	SHEET 2 OF 3	REV A2

P	LTR	DESCRIPTION	DATE	DWN	APVD
-	-	SEE SHEET 1	-	-	-

ELECTRICAL CIRCUIT DIAGRAM



Pin	Yellow	Green
P9	+	-
P10	-	+

1-2301994-5
WWYY-xxxx



FCC

CONTROL CODE

DATE CODE

"0213"

YY-YEAR

WW-WEEK

- 1.0 Turn Ratio @100kHz: (P1~P2):(J1~J2) = 1:1±2%
(P7~P8):(J3~J6) = 1:1±2%
- 2.0 Primary Inductance: 350µH MIN. @100kHz, 0.1V 8mA DC BIAS
- 3.0 DC Resistance: 1.2 OHMS MAX.
- 4.0 Insertion Loss: 1-100MHz -1.2dB MAX.
- 5.0 Return Loss: 1-30MHz -16dB MIN.
30-60MHz -12dB MIN.
60-80MHz -10dB MIN.
- 6.0 CROSS TALK: 1-100MHz -30dB MIN.
- 7.0 COMMON TO COMMON MODE ATTENUATION: 1-100MHz -30dB MIN.
- 8.0 Isolation: PHY Side to Line Side: 2250VDC

THIS DRAWING IS A CONTROLLED DOCUMENT.		DWN GANESH C M 27AUG2016	TE Connectivity NAME RJ45 JACK INT.MAG. 10/100 LED 1X1 INV.		
DIMENSIONS: mm [INCHES]		CHK FRANZ MUELLER 26MAY2017			
TOLERANCES UNLESS OTHERWISE SPECIFIED:		APVD MARTIN SZELAG 26MAY2017	PRODUCT SPEC 108-94552		
0 PLC ± - 1 PLC ± - 2 PLC ± - 3 PLC ± - 4 PLC ± - ANGLES ± -		7 1	APPLICATION SPEC 114-94447		
MATERIAL 1		FINISH 1	WEIGHT -	SIZE A3	CAGE CODE 00779
CUSTOMER DRAWING			DRAWING NO C=1-2301994-5	RESTRICTED TO -	SCALE 3:1
			SHEET 3 OF 3	REV A2	