

THIS DRAWING IS UNPUBLISHED. RELEASED FOR PUBLICATION 01JUN ,2007.

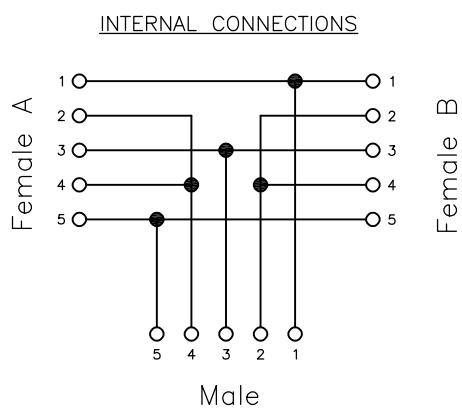
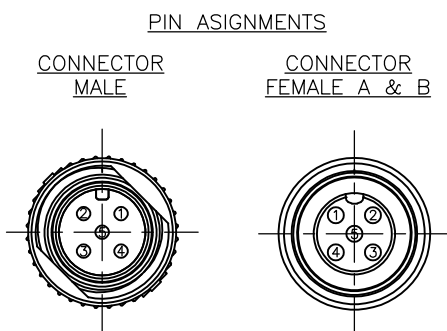
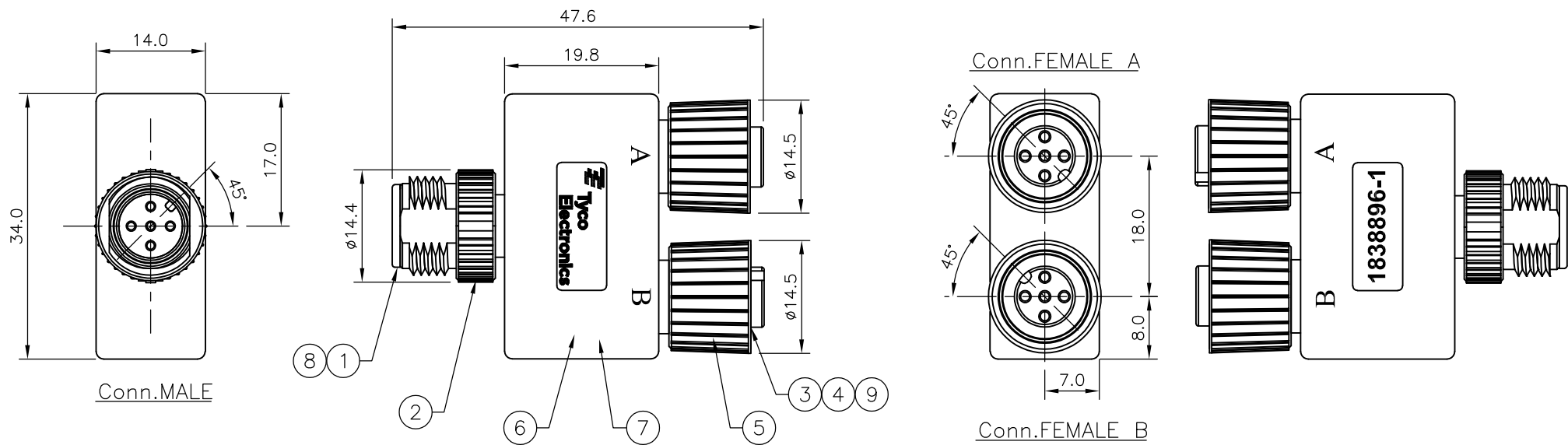
© COPYRIGHT 2007 BY TYCO ELECTRONICS CORPORATION. ALL RIGHTS RESERVED.

LOC	DIST	REVISIONS					
E	B	P	LTR	DESCRIPTION	DATE	DWN	APVD
		B		ECR-07-016769	17JUL07	AM	FWK

NOTES:

- 1. ELECTRICAL DATA: CONTACT RESISTANCE: 10 mOhm MAX
INSULATION RESISTANCE: 100 MOhm MIN at 500VDC
CURRENT RATING: 5 AMPS
BREAKDOWN VOLTAGE: 500 VAC MIN PER MINUTE
- 2. ENVIRONMENTAL: OPERATING TEMPERATURE: -25°C TO +90°C
SEALING REQUIREMENTS: IP67
- 3. PROD SPEC: 108-3641
- 4. FOR TECHNICAL DATA REFER TO YOUR LOCAL TYCO ELECTRONICS SALES OFFICE.
- 5. ALL DIMENSIONS ARE NOMINAL FOR REFERENCE ONLY UNLESS OTHERWISE STATED.

ITEM	DESCRIPTION	MATERIAL	FINISH/COLOUR	QTY
1	CONNECTOR BODY	POLYURETHANE	BLACK	1
2	SCREW NUT (MALE)	ZINC DIE CAST	2.5µm NICKEL PLATED	1
3	CONNECTOR BODY	POLYURETHANE	BLACK	2
4	'O' RING	VITON	GREEN	2
5	SCREW NUT (FEMALE)	ZINC DIE CAST	2.5µm NICKEL PLATED	2
6	CONNECTOR HOUSING	POLYURETHANE	BLACK	1
7	WIRE HARNESS (UL1007)	24 AWG	-	1
8	PIN CONTACT	BRASS	0.15µm GOLD OVER NICKEL	5
9	SOCKET CONTACT	BRASS	0.15µm GOLD OVER NICKEL	10



THIS DRAWING IS A CONTROLLED DOCUMENT.		DWN	A.Morey	01JUN07	Tyco Electronics Corporation Bideford, UK, EX39 4HE
DIMENSIONS: mm		CHK	F.Wheeler-King	04JUN07	
TOLERANCES UNLESS OTHERWISE SPECIFIED:		APVD	F.Wheeler-King	04JUN07	
0 PLC ± - 1 PLC ± - 2 PLC ± - 3 PLC ± - 4 PLC ± - ANGLES ± -		PRODUCT SPEC	NAME		
MATERIAL	FINISH	APPLICATION SPEC	M12 Y ADAPTOR 5POS MALE, FEMALE, FEMALE		RESTRICTED TO
-	-	WEIGHT	A3 00779 C-1838896		-
CUSTOMER DRAWING			SCALE	NTS	SHEET 1 OF 1
			REV	B	