

HFD3022-002/XXX

Silicon PIN Photodiode

FEATURES

- Low capacitance
- High speed: $t_r = 30$ ns max. @ 5 V
- Housing electrically isolated
- Wave solderable
- Mounting options
 - SMA single hole
 - ST single hole
 - SMA PCB
 - ST PCB
 - SMA 4 hole

DESCRIPTION

The HFD3022-002/XXX PIN Photodiode is designed for high speed use in fiber optic receivers. It has a large area detector, providing efficient response to 50 - 1000 μ m diameter fibers at wavelengths of 750 to 950 nanometers. The HFD3022-002/XXX is comprised of an HFD3022 PIN photodiode which is mounted in a fiber optic connector which aligns the component's optical axis with the axis of the optical fiber.

The HFD3022-002/XXXs case is electrically isolated from the anode and cathode terminals to enhance the EMI/RFI shielding which increases the sensitivity and speed. The housing acts as a shield for the PIN photodiode component.

HFD3022-002/XXX

Silicon PIN Photodiode

ELECTRO-OPTICAL CHARACTERISTICS ($T_C = 25^\circ\text{C}$ unless otherwise stated)

PARAMETER	SYMBOL	MIN	TYP	MAX	UNITS	TEST CONDITIONS
Peak Response Wavelength	λ_P		850		nm	
Flux Responsivity ⁽¹⁾	R	0.45	0.58		A/W	$\lambda = 850$ nm 50 μm core fiber, 0.20 μA 100 μm core fiber, 0.28 μA 200 μm core fiber, 0.40 μA 1000 μm core fiber, 0.53 μA
Dark Leakage Current	I_D		0.05	2	nA	$V_R = 5$ V
Reverse Breakdown Voltage	B_{VR}	110	250		V	$I_R = 10$ μA
Package Capacitance	C		2.1		pF	$V_R = 5$ V, $f = 1$ MHz
Rise Time 10-90%	t_R		17 5 1	30 10	ns	$V_R = 5$ V $V_R = 15$ V $V_R = 90$ V
Field of View	FoV		110		Degrees	

Notes

1. Responsivity is measured with a fiber optic cable centered on the mechanical axis, using an 850 nm HFE4000 LED as the optical source to the fiber. The fiber length is nominally 3 meters.

ABSOLUTE MAXIMUM RATINGS

($T_{case} = 25^\circ\text{C}$ unless otherwise noted)

Storage temperature	-40 to +100°C
Operating temperature	-40 to +100°C
Lead solder temperature	240°C for 3 min, 260°C for 10 s
Reverse voltage	110 V

Stresses greater than those listed under "Absolute Maximum Ratings" may cause permanent damage to the device. This is a stress rating only and functional operation of the device at these or any other conditions above those indicated in the operational section of this specification is not implied. Exposure to absolute maximum rating conditions for extended periods of time may affect reliability.

HFD3022-002/XXX

Silicon PIN Photodiode

ORDER GUIDE

Description	Catalog Listing
Standard silicon PIN photodiode	HFD3022-002/XXX

MOUNTING OPTIONS

Substitute XXX with one of the following 3 letter combinations

SMA single hole	- AAA
ST single hole	- BAA
SMA PCB	- ABA
ST PCB	- BBA
SMA 4 hole	- ADA

Dimensions on page 441

CAUTION

The inherent design of this component causes it to be sensitive to electrostatic discharge (ESD). To prevent ESD-induced damage and/or degradation to equipment, take normal ESD precautions when handling this product.



FIBER INTERFACE

Honeywell detectors are designed to interface with multimode fibers with sizes (core/cladding diameters) ranging from 50/125 to 200/230 microns. Honeywell performs final tests using 100/140 micron core fiber. The fiber chosen by the end user will depend upon a number of application issues (distance, link budget, cable attenuation, splice attenuation, and safety margin). The 50/125 and 62.5/125 micron fibers have the advantages of high bandwidth and low cost, making them ideal for higher bandwidth installations. The use of 100/140 and 200/230 micron core fibers results in greater power being coupled by the transmitter, making it easier to splice or connect in bulkhead areas. Optical cables can be purchased from a number of sources.

Fig. 1 Rise/Fall Time vs Reverse Bias Voltage

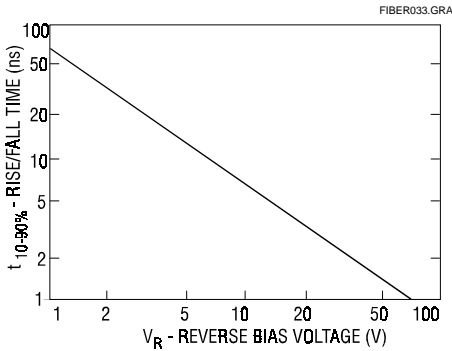
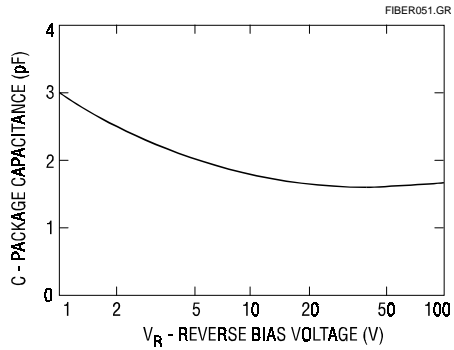


Fig. 2 Package Capacitance vs Reverse Bias Voltage



HFD3022-002/XXX

Silicon PIN Photodiode

Fig. 3 Spectral Responsivity

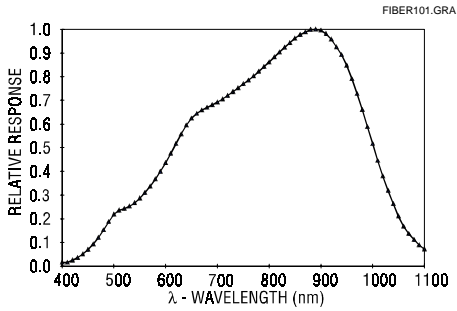


Fig. 4 Dark Leakage Current vs Temperature

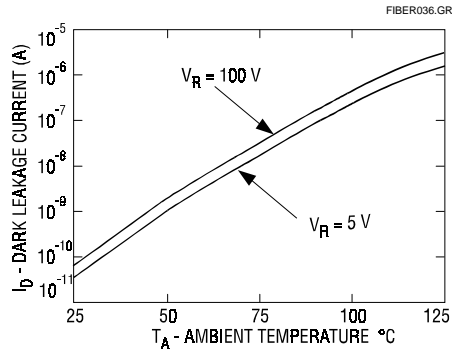
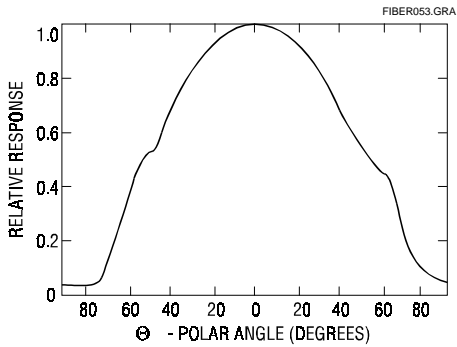


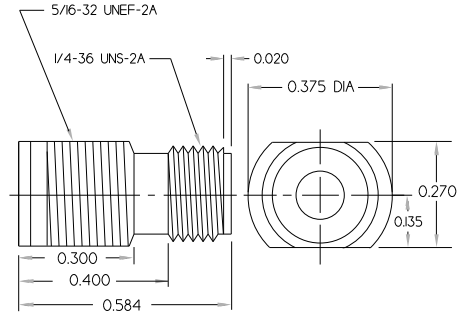
Fig. 5 Angular Response



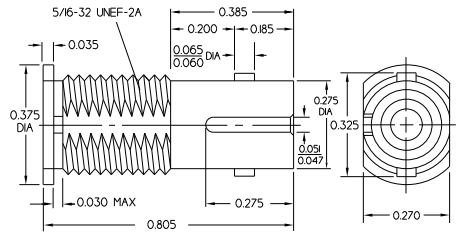
European Connectorized Receivers

Honeywell receiver components are available in the following connector styles. Each style has a three-digit reference used in the order guides.

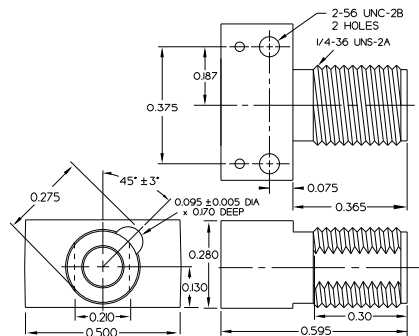
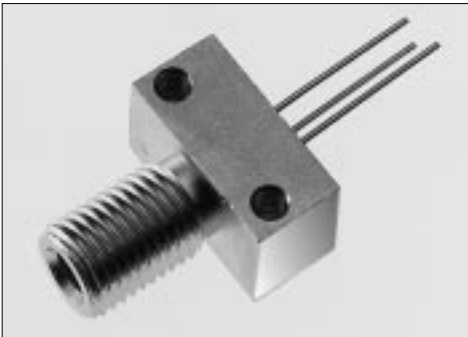
SMA SINGLE HOLE MOUNTING (REF.: AAA)



ST SINGLE HOLE MOUNTING (REF.: BAA)



SMA PCB MOUNTING (REF.: ABA)

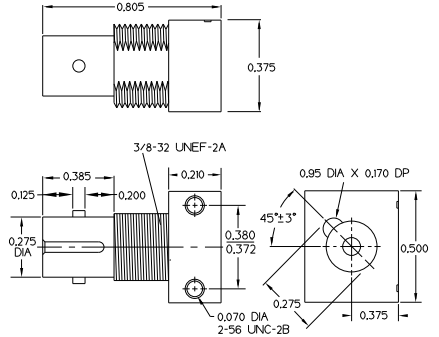
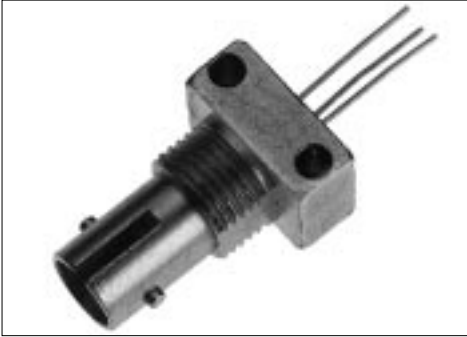


Honeywell Optoelectronics reserves the right to make changes at any time in order to improve design and supply the best products possible.

Honeywell

European Connectorized Receivers

ST PCB MOUNTING (REF.: BBA)



SMA 4 HOLE MOUNTING (REF.: ADA)

