

6

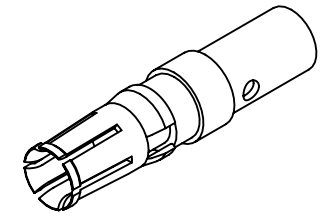
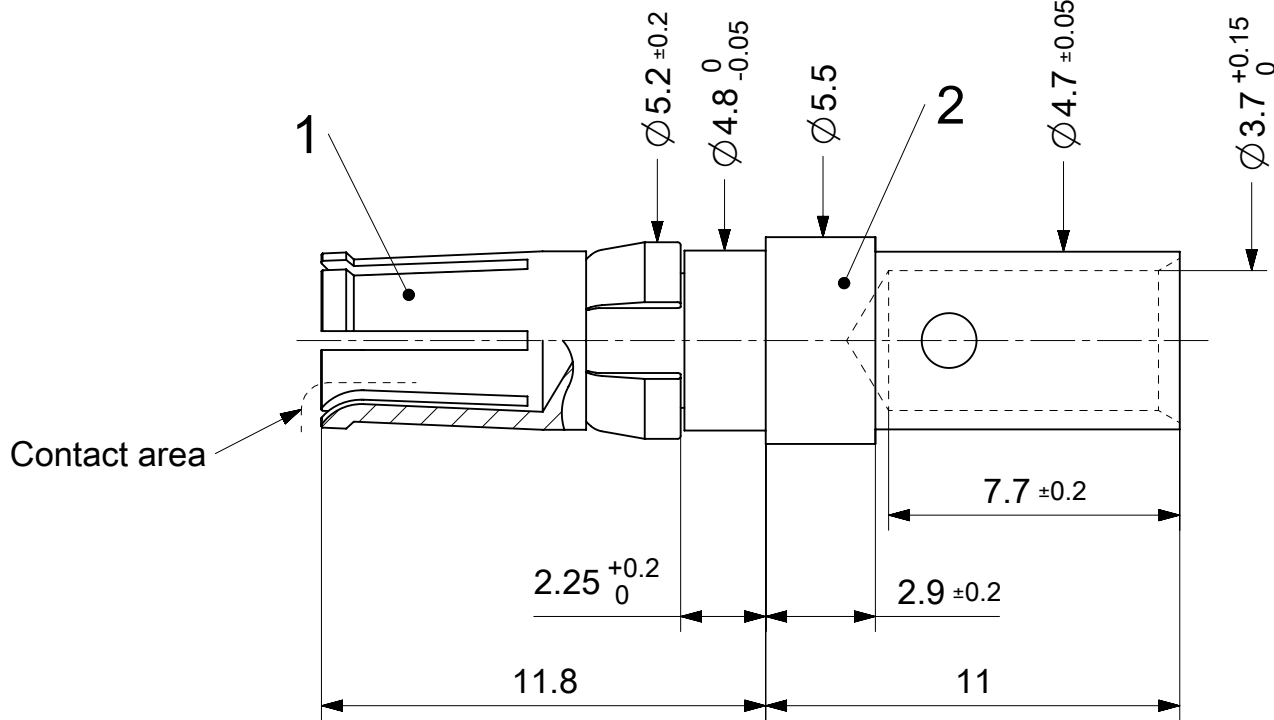
5

4

3

2

1



2:1

RoHS compliant  
by exemption

Crimping tools see document 2195600660

1727040157	FMP053S103	103
1731120999	FMP053S106	106
1731121084	FMP053S204	204
Material Number	FCT Part Number	Material + Finish See extra sheet

UNLESS OTHERWISE SPECIFIED DIMENSIONS FOR REFERENCE ONLY			REPLACEMENT FOR DOCUMENT NUMBER: FMP053S			
FUNCTIONAL SYMBOLS	THIS DRAWING CONTAINS INFORMATION THAT IS PROPRIETARY TO MOLEX ELECTRONIC TECHNOLOGIES, LLC AND SHOULD NOT BE USED WITHOUT WRITTEN PERMISSION					
	DIMENSION UNITS	SCALE	CURRENT REV DESC: A24297			
$\frac{F}{A} = 0$	mm	5:1	EC NO: 686737 DRWN: VLOKESHA 2021/04/06 CHK'D: MTEUBEL 2021/11/29 APPR: MTEUBEL 2021/11/29			
$\frac{E}{E} = 0$	GENERAL TOLERANCES (UNLESS SPECIFIED)					
$\frac{P}{P} = 0$	ANGULAR TOL ± °					
DIVISIONAL SYMBOLS	4 PLACES	±				
	3 PLACES	±	INITIAL REVISION:			
	2 PLACES	±	DRWN: VLOKESHA 2021/04/06			
	1 PLACE	±	APPR: MTEUBEL 2021/11/29			
	0 PLACES	±	DRAFT WHERE APPLICABLE MUST REMAIN WITHIN DIMENSIONS			
	FIRST ANGLE PROJECTION	DRAWING	SERIES	MATERIAL NUMBER	CUSTOMER	SHEET NUMBER
		A4-SIZE	172704	SEE TABLE	GENERAL MARKET	1 OF 1

<b>molex</b>		
FCT 30A HIGH POWER CONTACT FOR D-SUB		
PRODUCT CUSTOMER DRAWING		
DOCUMENT NUMBER	DOC TYPE	DOC PART
1727040157	PSD	000
REVISION	A	

DOCUMENT STATUS | P1 | RELEASE DATE | 2021/11/29 | 13:31:31

6

5

4

3

2

1