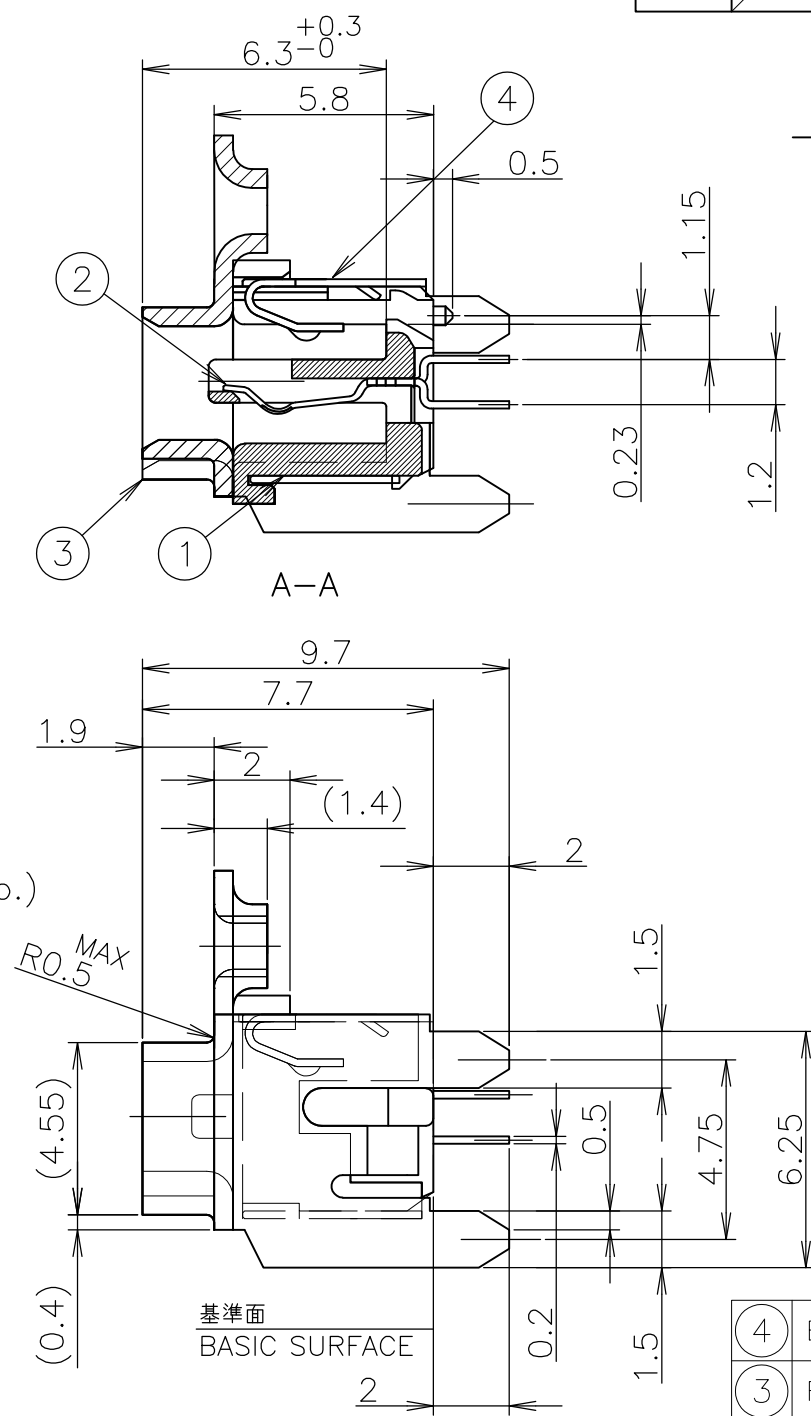
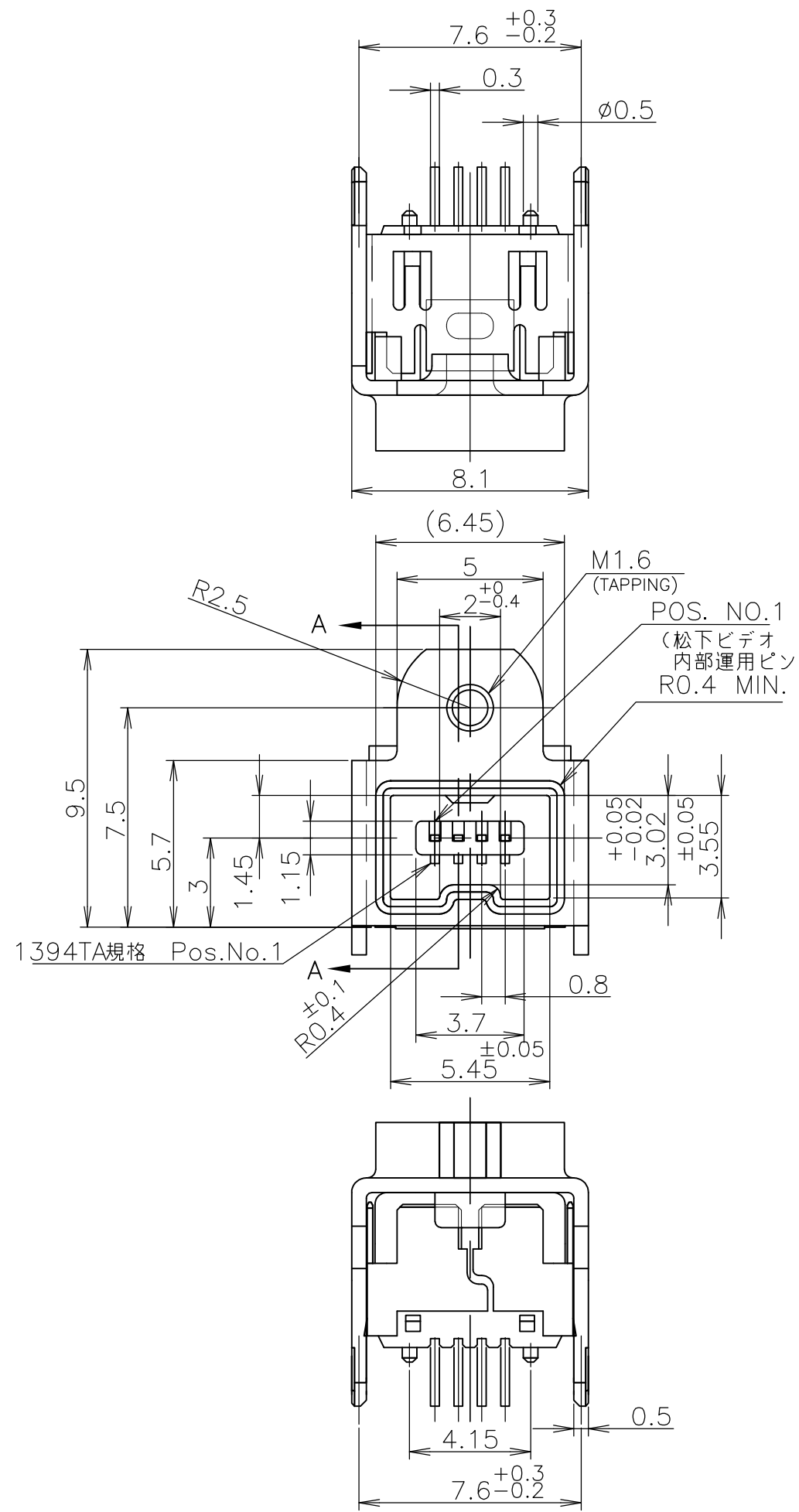


THIS DRAWING IS UNPUBLISHED. RELEASED FOR PUBLICATION JUL, 1996. ALL RIGHTS RESERVED.

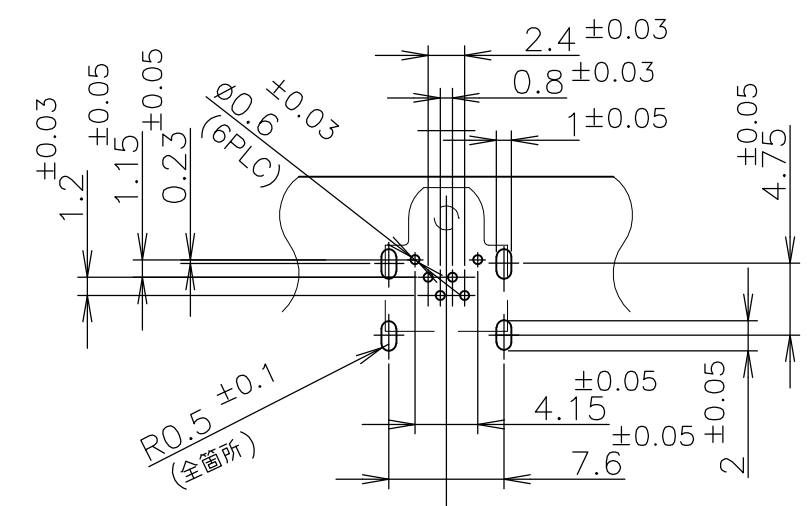
LOC	DIST	REVISIONS					
J	/	P	LTR	DESCRIPTION	DATE	DWN	APVD
		C	REVISED	ECR-13-019471	15JAN2014	B.L	J.L



1: 本図 AS SHOWN

OBSOLETE

鉛フリー LEAD FREE



- 推奨基板レイアウト (SCALE 2:1) (0.8±0.1THK)
- 1. M1.6 ビス締め部推奨トルク; 19.6N・cm(2kgf・cm)
 - 1. M1.6 TAP; 19.6N・cm(2kgf・cm) MAX.

NO.	NAME	MATERIAL	FINISH
④	BACK SHELL	りん青銅 PHOS-BRO	PRE-TIN: 0.001mm
③	FRONT SHELL	黄銅 BRASS	TIN: 0.002mm
②	CONTACT	銅合金 COPPER ALLOY	Ni UNDER PLATING: 0.00127mm MIN. CONTACT AREA: Au 0.0003mm MIN. SOLDERING AREA: TIN 0.002mm
①	HOUSING	6T ナイロン (UL94V-0)	BLACK

THIS DRAWING IS A CONTROLLED DOCUMENT.

DIMENSIONS: 単位: 概 mm	TOLERANCES UNLESS OTHERWISE SPECIFIED: 一般公差
0 PLC ± 0.3	1 PLC ± 0.3
1 PLC ± 0.3	2 PLC ± 0.3
2 PLC ± 0.3	3 PLC ± 0.3
3 PLC ± 0.3	4 PLC ± 0.3
4 PLC ± 0.3	ANGLES ± 3'
MATERIAL 材料	FINISH 仕上
SEE TABLE	SEE TABLE

DWN J.TSUJI 27AUG99	STE TE Connectivity	
CHK J.TANIGAWA 27AUG99	REC HEADER 4POS V-TYPE IEEE 1394 AV CONNECTOR	
APVD I.ENOMOTO 30AUG99	NAME 名称	RESTRICTED TO
PRODUCT SPEC 製品規格 108-5672	SIZE	CAGE CODE
APPLICATION SPEC 取付適用規格	A3	00779
WEIGHT	DRAWING NO 番号	REV
CUSTOMER DRAWING	G-1318714	C
SCALE 尺度 5:1	SHEET 1 OF 1	