

4

3

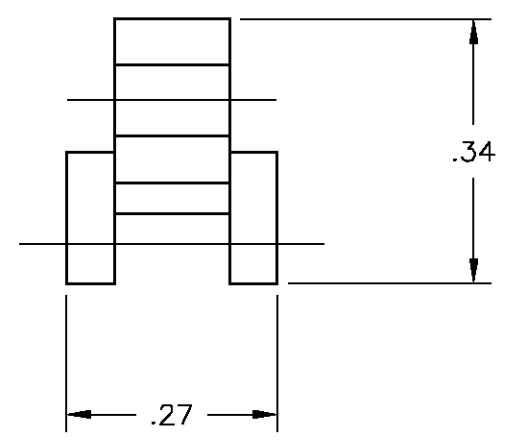
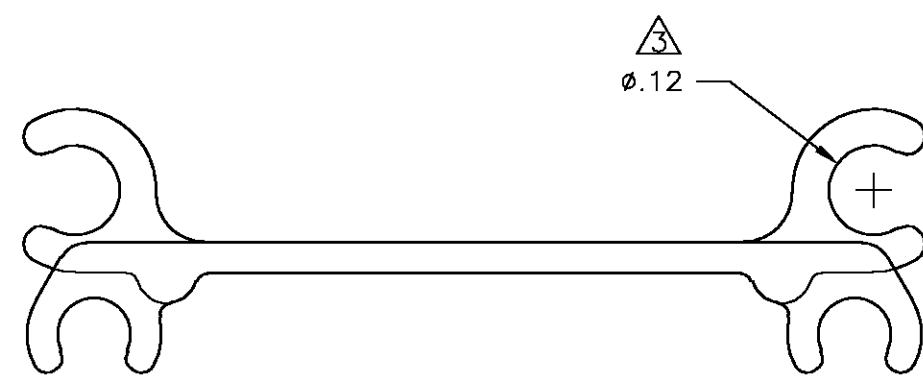
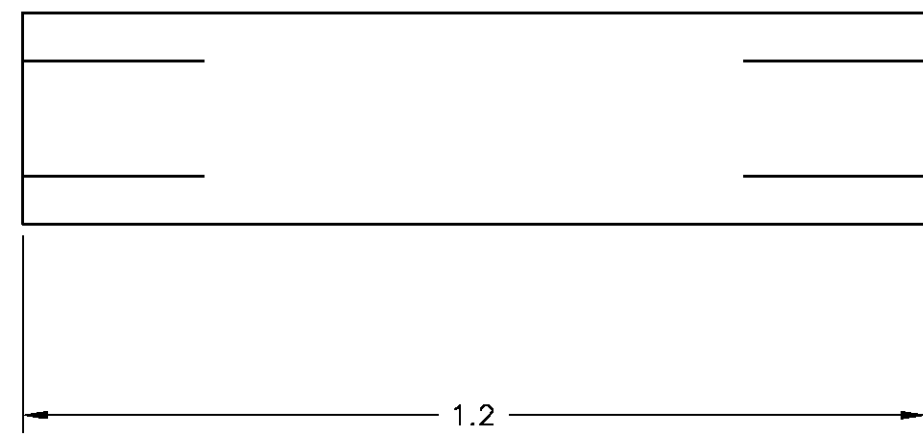
2

1

THIS DRAWING IS UNPUBLISHED. RELEASED FOR PUBLICATION
 © COPYRIGHT BY TYCO ELECTRONICS CORPORATION. ALL RIGHTS RESERVED.

LOC	DIST	REVISIONS			
P	LTR	DESCRIPTION	DATE	DWN	APVD
FT	0	A	REVISED PER 0G3B-0467-03	6/4/03	SS SRY

- NOTES:
- 1 MATERIAL: CLEAR POLYCARBONATE.
 2. FOR USE WITH 900 SERIES TERMINAL BLOCKS.
 - 3 ACCEPTS GANGING ROD, CATALOG NO. 30-BU.



1-1437382-2
 PART NUMBER

THIS DRAWING IS A CONTROLLED DOCUMENT.		DWN S. SCHLEGEL 6/4/03	BUCHANAN Tyco Electronics Corporation Harrisburg, PA 17105													
DIMENSIONS: INCHES		CHK S. YODER 6/4/03	NAME COVER - HINGED M.D. BLOCK 300V & 600V (3/8" CENTERS)													
TOLERANCES UNLESS OTHERWISE SPECIFIED:		APVD S. YODER 6/4/03	PRODUCT SPEC													
<table border="0"> <tr><td>0 PLC</td><td>± -</td></tr> <tr><td>1 PLC</td><td>± .1</td></tr> <tr><td>2 PLC</td><td>± .02</td></tr> <tr><td>3 PLC</td><td>± -</td></tr> <tr><td>4 PLC</td><td>± -</td></tr> <tr><td>ANGLES</td><td>± -</td></tr> </table>		0 PLC	± -	1 PLC	± .1	2 PLC	± .02	3 PLC	± -	4 PLC	± -	ANGLES	± -	APPLICATION SPEC		RESTRICTED TO
0 PLC	± -															
1 PLC	± .1															
2 PLC	± .02															
3 PLC	± -															
4 PLC	± -															
ANGLES	± -															
MATERIAL		WEIGHT	SIZE A3	CAGE CODE 00779	DRAWING NO C-1447919											
FINISH		CUSTOMER DRAWING		SCALE 4:1	SHEET 1 OF 1											
				REV A												