

IR.612 | Fold-away handles

Technopolymer



MATERIAL

High-resilience polypropylene based (PP) technopolymer handle, black colour, matte finish.

STANDARD EXECUTIONS

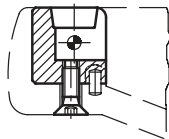
- **IR.612:** black-oxide steel double guide pin, sintered and oxidised steel flat base for embedded mounting, black-oxide steel screw.
- **IR.612-SST:** AISI 303 stainless steel double guide pin, sintered AISI 303 stainless steel flat base for embedded mounting, AISI 303 stainless steel screw.

FEATURES AND APPLICATIONS

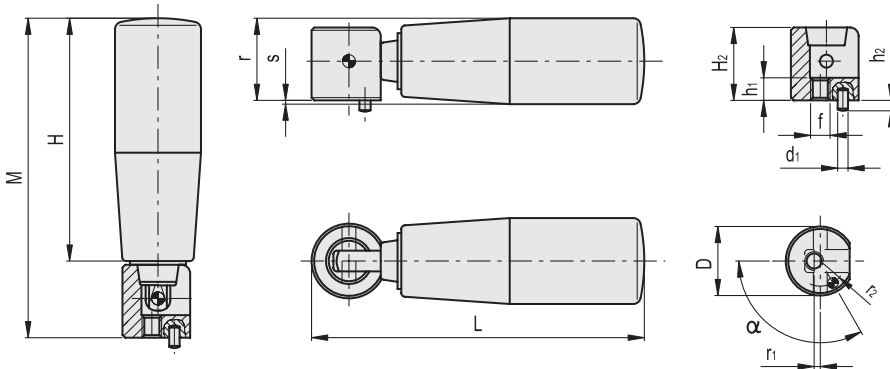
Handle pivots freely during operation: a system of coaxial bushings compensates return spring load.

This series of fold-away handles has been designed for all those applications for which, owing to lack of space or for safety reasons, the handle must be folded-away once the operation has been completed.

Normal assembly example with embedded base



ELESA Original design



Conversion Table	
1 mm = 0.039 inch	
H	
mm	inch
56	2.20
65	2.56
80	3.15
90	3.54

IR.612

METRIC

Code	Description	H	D	L	M	H2	r	r1	s	f	h1	d1	h2-0.2	r2	α	⚖️
28443	IR.612/56 S.D.16	56	16	74	71	15	19	1	2.5	M4	5	3	3	5.5	90°	65
28445	IR.612/65 S.D.16	65	16	83	80	15	20	1	3	M4	5	3	3	5.5	90°	75
28446	IR.612/65 S.D.20	65	20	89	85	19.5	22	0.6	1	M6	6	3	3	7	120°	110
28448	IR.612/80 S.D.20	80	20	104	100	19.5	23	0.6	1.5	M6	6	3	3	7	120°	120
28450	IR.612/90 S.D.20	90	20	114	110	19.5	24	0.6	3	M6	6	3	3	7	120°	136
28451	IR.612/90 S.D.26	90	26	118	113	23	27	1.5	1	M6	7	3	3	9.5	90°	200

IR.612-SST

INOX STAINLESS STEEL

METRIC

Code	Description	H	D	L	M	H2	r	r1	s	f	h1	d1	h2-0.2	r2	α	⚖️
28463	IR.612/56-SST-S.D.16	56	16	74	71	15	19	1	2.5	M4	5	3	3	5.5	90°	65
28465	IR.612/65-SST-S.D.20	65	20	89	85	19.5	22	0.6	1	M6	6	3	3	7	120°	110
28466	IR.612/80-SST-S.D.20	80	20	104	100	19.5	23	0.6	1.5	M6	6	3	3	7	120°	120
28468	IR.612/90-SST-S.D.20	90	20	114	110	19.5	24	0.6	3	M6	6	3	3	7	120°	136

