

TX03 Series

32-bit / 100-pin

Under Development
Under Development

TMPM380FWFG
TMPM380FYFG

Under Development
Under Development

TMPM380FWDFG
TMPM380FYDFG



High-performance microcontrollers containing a multi-purpose timer for controlling the power devices used for home electronics, and realizing 5V single supply operation to achieve control over Induction Heating (IH) appliances and motors.

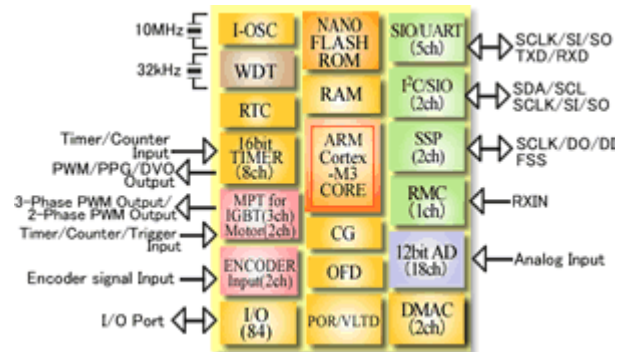
Features

ARM Cortex™-M3 CPU Core

- ▶ Operating voltage:
4.0 to 5.5 V
- ▶ Maximum operating frequency:
40 MHz (10 MHz × 4 by PLL)
- ▶ On-chip debug circuit
JTAG/SWD/SWV, TRACE (DATA2 bits)

Built-in Functions

- ▶ 12-bit AD converter: 2-μs conversion time, 18-channel.
- ▶ Multi-purpose timer (MPT): 3 channels (Note: 2channels for three-phase PWM)
Three-phase PWM output: Synchronous 3-channel PWM output (with AD conversion trigger)
IGBT control-timer: Synchronous 2-channel PPG output, external trigger start, dead-time output, protection circuit controls in emergency
- ▶ Encoder input : 2 channels
- ▶ 16-bit timer : 8 channels
- ▶ RTC : 1 channel
- ▶ SIO/UART : 5 channels
- ▶ I²C/SIO : 2 channels (1 channel is shared with SSP)
- ▶ SSP(SPI mode) : 2 channels (1 channel is shared with I²C/SIO.)
- ▶ Remote control signal preprocessor : 1 channel
- ▶ DMA controller : 2 channels
- ▶ Power-on reset circuit
- ▶ Voltage detection circuit
- ▶ Internal Oscillator (10 MHz)
- ▶ Oscillation frequency detector (only when external oscillator is used)



Flash Memory Size

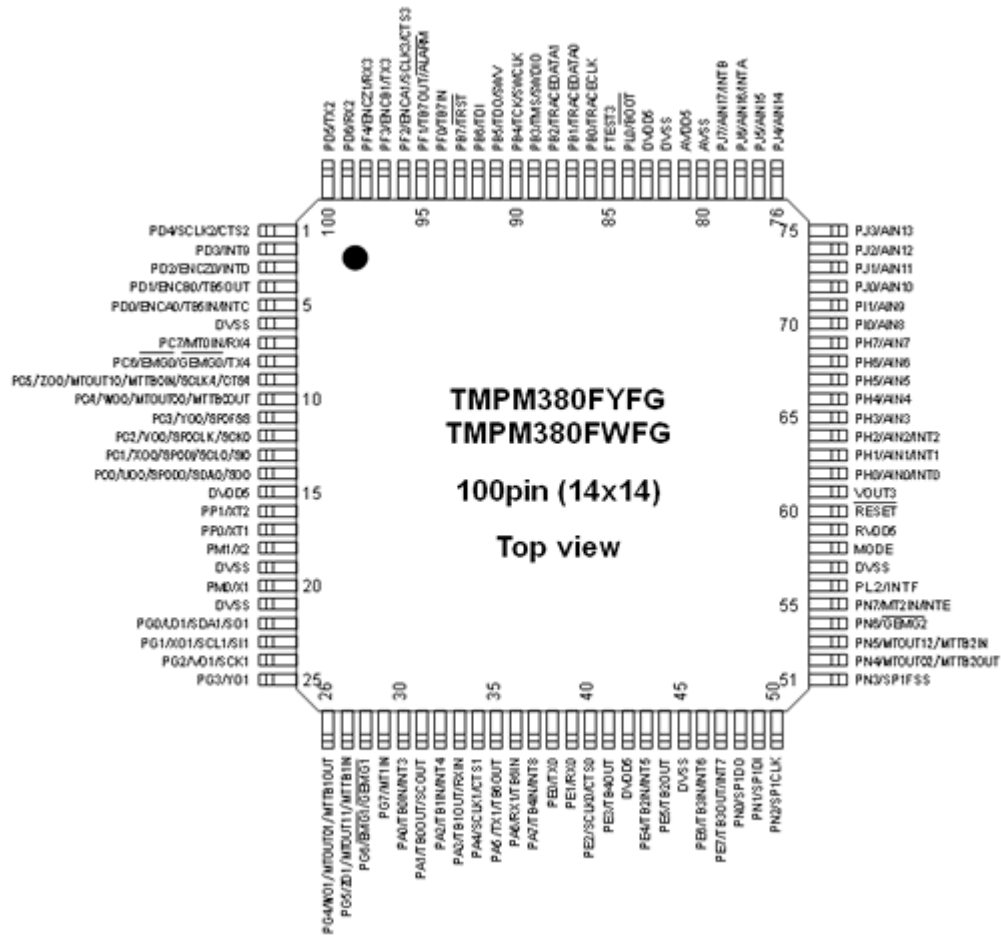
Part number	ROM (Flash)	RAM
TMPM380FWFG**	128 Kbytes	12 Kbytes
TMPM380FWDFG**	128 Kbytes	12 Kbytes
TMPM380FYFG**	256 Kbytes	16 Kbytes
TMPM380FYDFG**	256 Kbytes	16 Kbytes

**:Under development

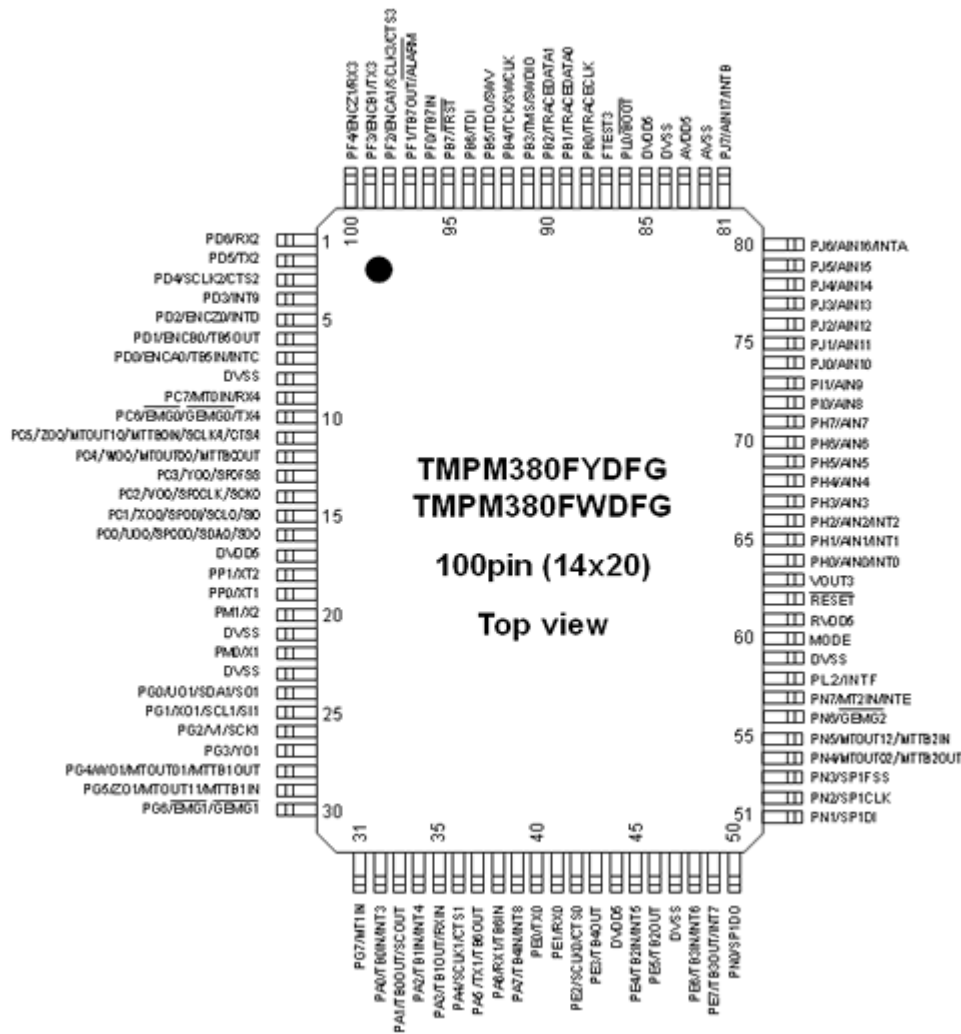
* ARM and ARM Cortex are trademarks or registered trademarks of ARM Limited in the EU and other countries.

Package Information

Pin Assignments



Package name: LQFP100-P-1414-0.50H



Package name: QFP100-P-1420-0.65Q

» For further information about Toshiba microcomputers and Toshiba microcomputer development systems, please visit <http://www.semicon.toshiba.co.jp/eng/product/micro/index.html>

- Toshiba Corporation, and its subsidiaries and affiliates (collectively "TOSHIBA"), reserve the right to make changes to the information in this document, and related hardware, software and systems (collectively "Product") without notice.
 - This document and any information herein may not be reproduced without prior written permission from TOSHIBA. Even with TOSHIBA's written permission, reproduction is permissible only if reproduction is without alteration/omission.
 - Though TOSHIBA works continually to improve Product's quality and reliability, Product can malfunction or fail. Customers are responsible for complying with safety standards and for providing adequate designs and safeguards for their hardware, software and systems which minimize risk and avoid situations in which a malfunction or failure of Product could cause loss of human life, bodily injury or damage to property, including data loss or corruption. Before creating and producing designs and using, customers must also refer to and comply with (a) the latest versions of all relevant TOSHIBA information, including without limitation, this document, the specifications, the data sheets and application notes for Product and the precautions and conditions set forth in the "TOSHIBA Semiconductor Reliability Handbook" and (b) the instructions for the application that Product will be used with or for. Customers are solely responsible for all aspects of their own product design or applications, including but not limited to (a) determining the appropriateness of the use of this Product in such design or applications; (b) evaluating and determining the applicability of any information contained in this document, or in charts, diagrams, programs, algorithms, sample application circuits, or any other referenced documents; and (c) validating all operating parameters for such designs and applications. **TOSHIBA ASSUMES NO LIABILITY FOR CUSTOMERS' PRODUCT DESIGN OR APPLICATIONS.**
 - Product is intended for use in general electronics applications (e.g., computers, personal equipment, office equipment, measuring equipment, industrial robots and home electronics appliances) or for specific applications as expressly stated in this document. Product is neither intended nor warranted for use in equipment or systems that require extraordinarily high levels of quality and/or reliability and/or a malfunction or failure of which may cause loss of human life, bodily injury, serious property damage or serious public impact ("Unintended Use"). Unintended Use includes, without limitation, equipment used in nuclear facilities, equipment used in the aerospace industry, medical equipment, equipment used for automobiles, trains, ships and other transportation, traffic signaling equipment, equipment used to control combustions or explosions, safety devices, elevators and escalators, devices related to electric power, and equipment used in finance-related fields. Do not use Product for Unintended Use unless specifically permitted in this document.
 - Do not disassemble, analyze, reverse-engineer, alter, modify, translate or copy Product, whether in whole or in part.
 - Product shall not be used for or incorporated into any products or systems whose manufacture, use, or sale is prohibited under any applicable laws or regulations.
 - The information contained herein is presented only as guidance for Product use. No responsibility is assumed by TOSHIBA for any infringement of patents or any other intellectual property rights of third parties that may result from the use of Product. No license to any intellectual property right is granted by this document, whether express or implied, by estoppel or otherwise.
 - **ABSENT A WRITTEN SIGNED AGREEMENT, EXCEPT AS PROVIDED IN THE RELEVANT TERMS AND CONDITIONS OF SALE FOR PRODUCT, AND TO THE MAXIMUM EXTENT ALLOWABLE BY LAW, TOSHIBA (1) ASSUMES NO LIABILITY WHATSOEVER, INCLUDING WITHOUT LIMITATION, INDIRECT, CONSEQUENTIAL, SPECIAL, OR INCIDENTAL DAMAGES OR LOSS, INCLUDING WITHOUT LIMITATION, LOSS OF PROFITS, LOSS OF OPPORTUNITIES, BUSINESS INTERRUPTION AND LOSS OF DATA, AND (2) DISCLAIMS ANY AND ALL EXPRESS OR IMPLIED WARRANTIES AND CONDITIONS RELATED TO SALE, USE OF PRODUCT, OR INFORMATION, INCLUDING WARRANTIES OR CONDITIONS OF MERCHANTABILITY, FITNESS FOR A PARTICULAR PURPOSE, ACCURACY OF INFORMATION, OR NON-INFRINGEMENT.**
 - Do not use or otherwise make available Product or related software or technology for any military purposes, including without limitation, for the design, development, use, stockpiling or manufacturing of nuclear, chemical, or biological weapons or missile technology products (mass destruction weapons). Product and related software and technology may be controlled under the Japanese Foreign Exchange and Foreign Trade Law and the U.S. Export Administration Regulations. Export and re-export of Product or related software or technology are strictly prohibited except in compliance with all applicable export laws and regulations.
 - Product may include products subject to foreign exchange and foreign trade control laws.
 - Please contact your TOSHIBA sales representative for details as to environmental matters such as the RoHS compatibility of Product. Please use Product in compliance with all applicable laws and regulations that regulate the inclusion or use of controlled substances, including without limitation, the EU RoHS Directive. TOSHIBA assumes no liability for damages or losses occurring as a result of noncompliance with applicable laws and regulations.
- In addition to the above, the following are applicable only to development tools.
- Though TOSHIBA works continually to improve Product's quality and reliability, Product can malfunction or fail. Use the Product in a way which minimizes risk and avoid situations in which a malfunction or failure of Product could cause loss of human life, bodily injury or damage to property, including data loss or corruption. For using the Product, customers must also refer to and comply with the latest versions of all relevant TOSHIBA information, including without limitation, this document, the instruction manual, the specifications, the data sheets for Product.
 - Product is provided solely for the purpose of performing the functional evaluation of a semiconductor product. Please do not use Product for any other purpose, including without limitation, evaluation in high or low temperature or humidity, and verification of reliability.
 - Do not incorporate Product into your products or system. Products are for your own use and not for sale, lease or other transfer.

TOSHIBA
TOSHIBA CORPORATION
Semiconductor Company

<http://www.semicon.toshiba.co.jp/eng/>

Copyright © 1995-2010 TOSHIBA CORPORATION, All Rights Reserved.