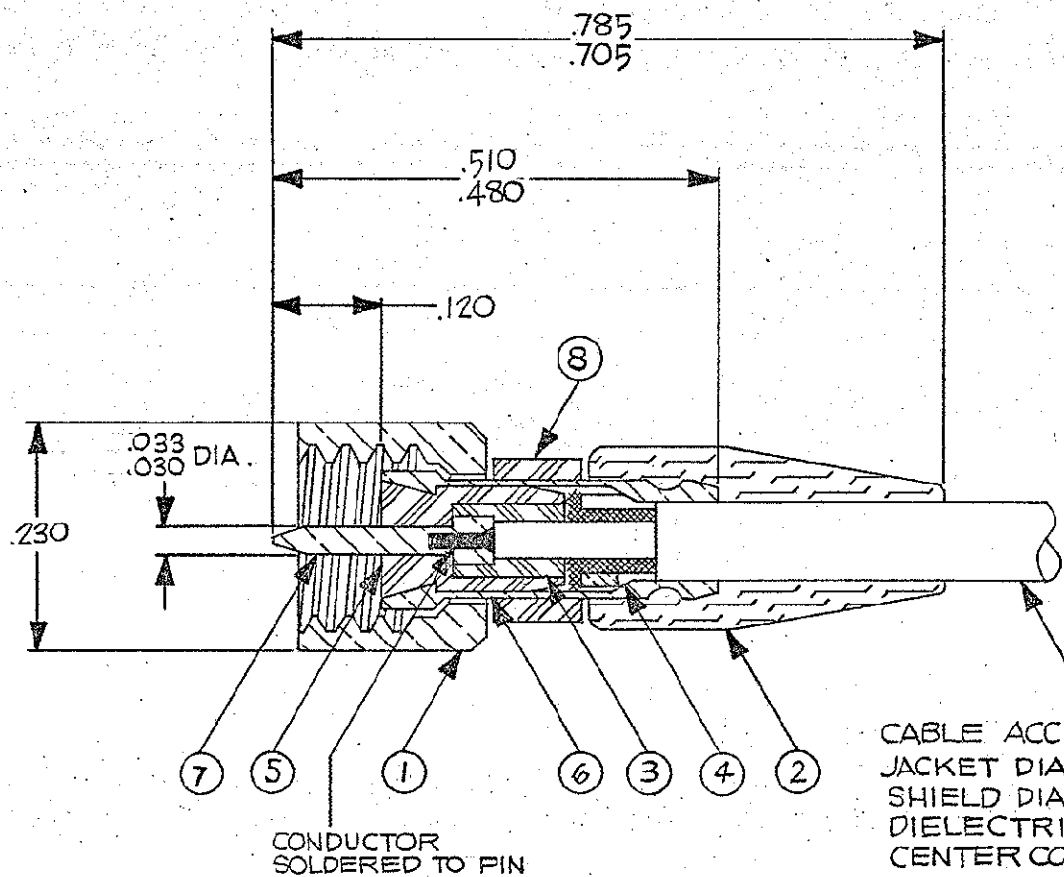


| REVISIONS |     |       |  |          |          |
|-----------|-----|-------|--|----------|----------|
| ZONE      | LTR | ECN   | DESCRIPTION  | DATE     | APPROVED |
|           | P   | 26527 | REVISE & REDRAW ORIGINAL<br>RELEASED BY G.P.F. (7-18-54) | 4/22/82  | hs       |
|           | R   | 30393 | INSULATOR IS: 003-0153-0001<br>WAS: 003-0150-0001        | 10/2/86  | hs       |
|           | S   | 38207 | UPDATE PART TABLE.                                       | 10/10/98 | es       |
|           | T   | 38512 | UPDATE REV. LETTER                                       | 1/25/99  | es       |



CABLE ACCEPTANCE DIMS:  
 JACKET DIA. .... .093 MAX.  
 SHIELD DIA. .... .077 MAX.  
 DIELECTRIC DIA. .... .041 MAX.  
 CENTER COND. DIA. .... .015 MAX.

NOTES: (UNLESS OTHERWISE SPECIFIED)

1. THIS CONNECTOR MATES WITH ALL S-50 JACKS AND RECEPTACLES AS LISTED IN MALCO CATALOG.
2. FOR ASSEMBLY INSTRUCTIONS SEE RF-ASMB-89.
3. MALCO ASSEMBLY TOOL OIO-0003-0000 REQUIRED.
- △ SILVER PLATE .0002 MIN. PER QQ-S-365, TYPE II, GRADE A.
- △ GOLD PLATE PER QQ-G-45204, TYPE II, GRADE C, CLASS I.
- △ 10-32 UNF -2B THREAD.
- △ MALE DIAMOND KNURL.

| FINISH      | PT. NO. | DESCRIPTION     | MATERIALS           | ITEM NO. |
|-------------|---------|-----------------|---------------------|----------|
|             |         | PIN PROTECTOR   | TEFLON, ASTM-D-1457 | 8        |
| △ 5         |         | PIN CONTACT     | BRASS, QQ-B-626     | 7        |
| △ 4         |         | FERRULE         | BRASS, QQ-B-626     | 6        |
|             |         | INSULATOR       | TEFLON ASTM-D-1457  | 4        |
| △ 4         |         | RING            | BRASS, QQ-B-626     | 3        |
|             |         | INSULATOR       | TEFLON ASTM-D-1457  | 2        |
|             |         | BEND RELIEF CAP | SILICONE ZZ-R-765   | 5        |
| △ 4 △ 6 △ 7 |         | NUT             | BRASS, QQ-B-626     | 1        |

| PARTS LIST  |                      |  |           |   |
|---|----------------------|--|-----------|---|
| UNLESS OTHERWISE SPECIFIED DIMENSIONS ARE IN INCHES TOLERANCES ARE: |                      | CONTRACT NO.   |           | <b>MALCO</b><br>A MICRODOT COMPANY, INC.<br>220 PASADENA AVE., SO. PASADENA, CALIF. 91030 |
| FRACTIONS   | DECIMALS             | ANGLES   | APPROVALS |   |
| ± .XX ±   | ± .XXX ± .010        | ±  | DATE      |   |
| MATERIAL  | -NOTED-              |  | DRAWN     | <b>PLUG</b><br>PROD. CODE 931<br>CODE CDM   |
| FINISH  | -NOTED-              |  | CHECKED   |   |
| NEXT ASSY   | USED ON              | APPROVED   | PR. ENG.  |   |
| APPLICATION   | DO NOT SCALE DRAWING | APPROVED   | DATE      |   |
|   |                      | These drawings and specifications are the property of Microdot Inc., are issued in strict confidence and shall not be divulged, be reproduced or copied, or used as the basis for the manufacture or sale of any article without written permission of Microdot Inc. |           | SIZE <b>B</b> CODE IDENT NO. <b>98278</b> DRAWING NO. <b>032-0033-0001</b>                |
|   |                      | SCALE none   |           | SHEET 1 OF 1  |