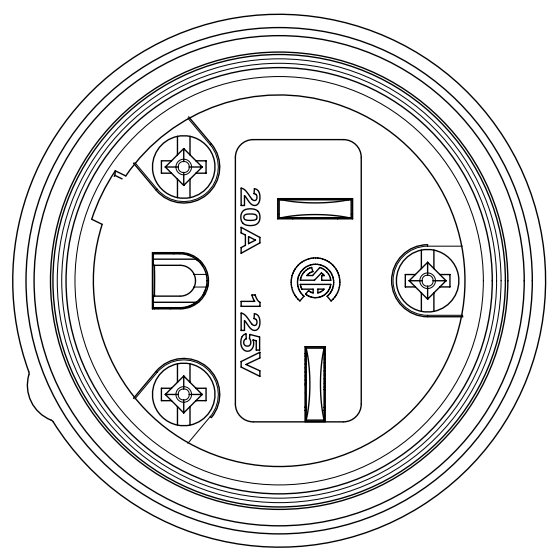
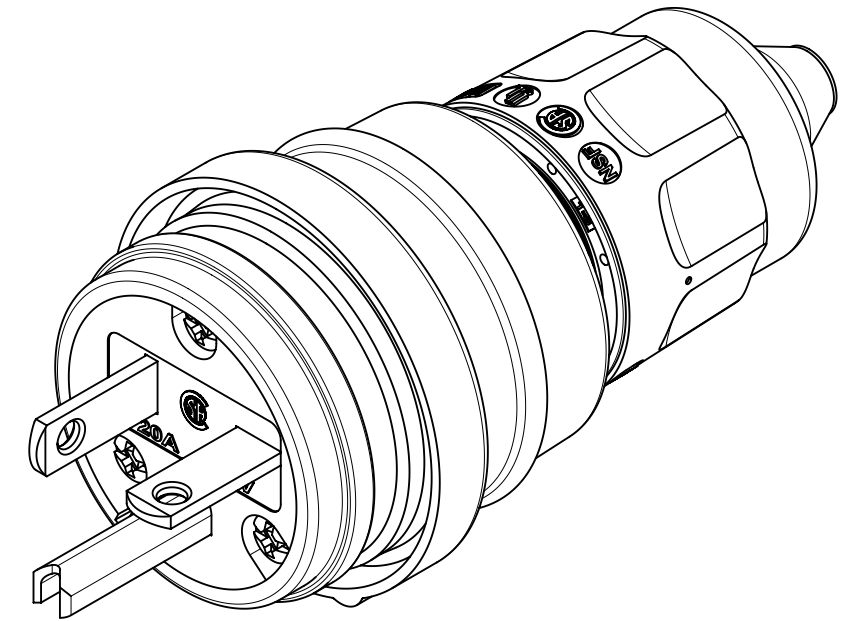
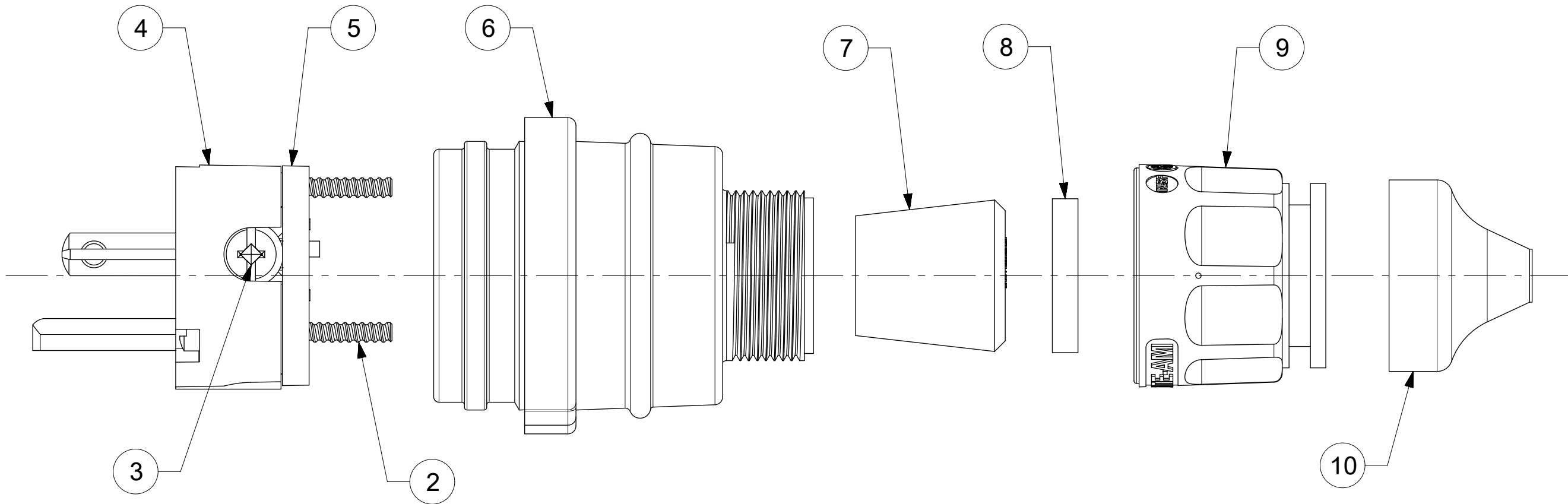
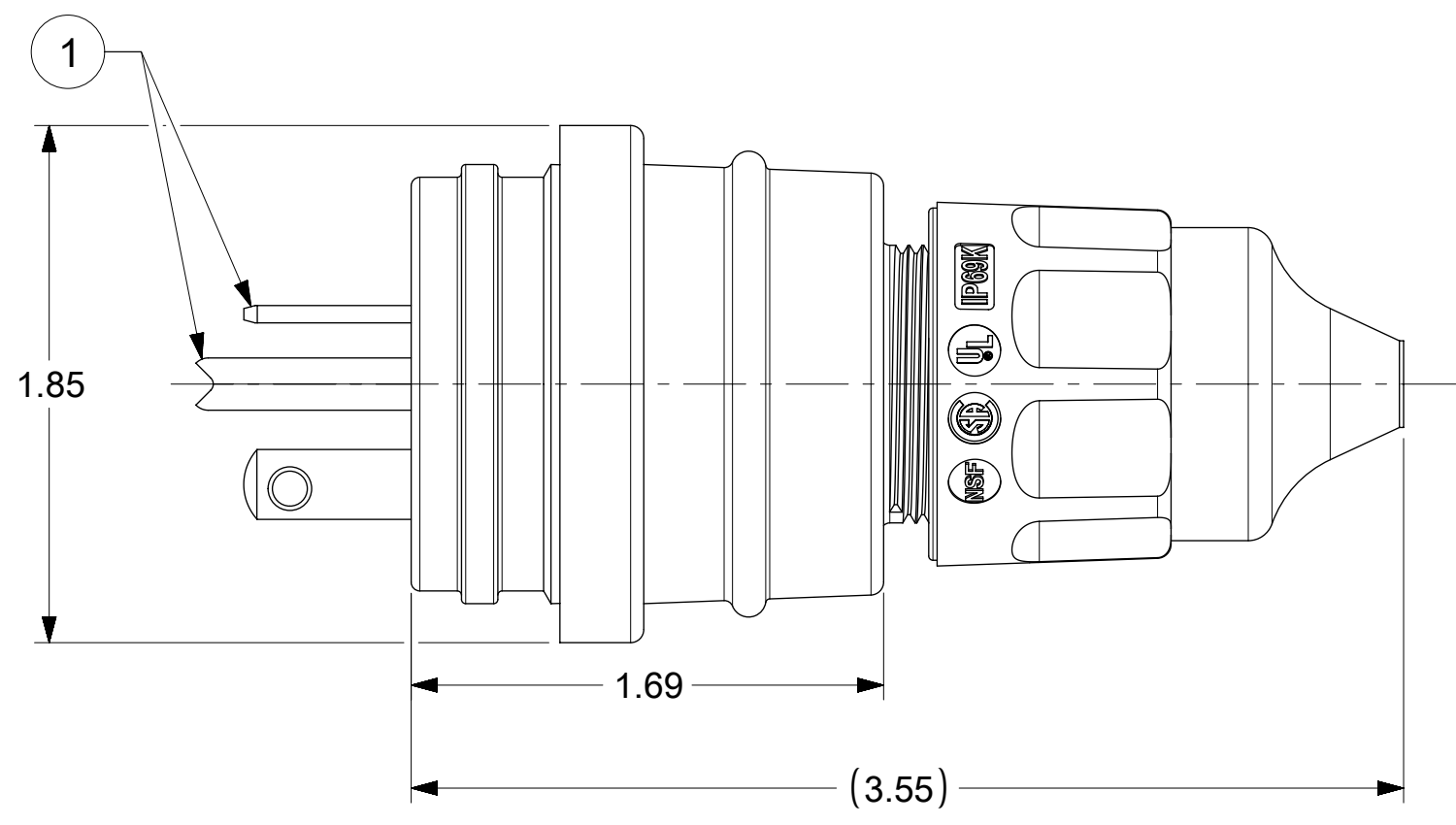


ORDER NO.	WOODHEAD NO.	COLOR
130146-0022	14W33	YELLOW
130146-0023	14W33BLK	BLACK



FACE VIEW



ITEM NO.	DESCRIPTIONS	MATERIAL	QTY.
1	BLADES	BRASS	3
2	RETAINING SCREWS	STAINLESS STEEL	3
3	TERMINAL SCREWS	BRASS, ZINC PLATED	3
4	INSERT	NYLON	1
5	TERMINAL COVER	POLYCARBONATE	1
6	HOUSING	SILICONE WITH NYLON THREAD	1
7	GROMMETS	RUBBER	5
8	FRICTION RING	NYLON	1
9	COMPRESSION NUT	NYLON	1
10	CABLE GLOVE	SILICONE	1

NOTES:
 1. SEE INSTRUCTION SHEET NUMBER 1301414770 FOR PRODUCT SPECIFICATION.
 2. CABLE RANGE FROM 0.375" TO 0.625"

THIS DRAWING CONTAINS INFORMATION THAT IS PROPRIETARY TO MOLEX ELECTRONIC TECHNOLOGIES, LLC AND SHOULD NOT BE USED WITHOUT WRITTEN PERMISSION									
DIMENSION UNITS		SCALE		CURRENT REV DESC:				molex	
INCH		NTS							
GENERAL TOLERANCES (UNLESS SPECIFIED)				EC NO: 613686				WATERTITE PLUG, 5-20P	
ANGULAR TOL ± 0.5°				DRWN: VHANDI 2019/03/13					
4 PLACES ±				CHK'D: DNGUYEN62 2019/03/18				PRODUCT CUSTOMER DRAWING	
3 PLACES ± 0.005				APPR: HKNEELAND 2019/03/21					
2 PLACES ± 0.01				INITIAL REVISION:				DOCUMENT NUMBER	
1 PLACE ± 0.02				DRWN: NVELUSAMY 2018/10/26					
0 PLACES ±				APPR: HKNEELAND 2019/02/11				1301460022	
DRAFT WHERE APPLICABLE MUST REMAIN WITHIN DIMENSIONS		THIRD ANGLE PROJECTION		DRAWING		SERIES		MATERIAL NUMBER	
				C-SIZE		130146		SEE TABLE	
						CUSTOMER		SHEET NUMBER	
						GENERAL MARKET		1 OF 1	