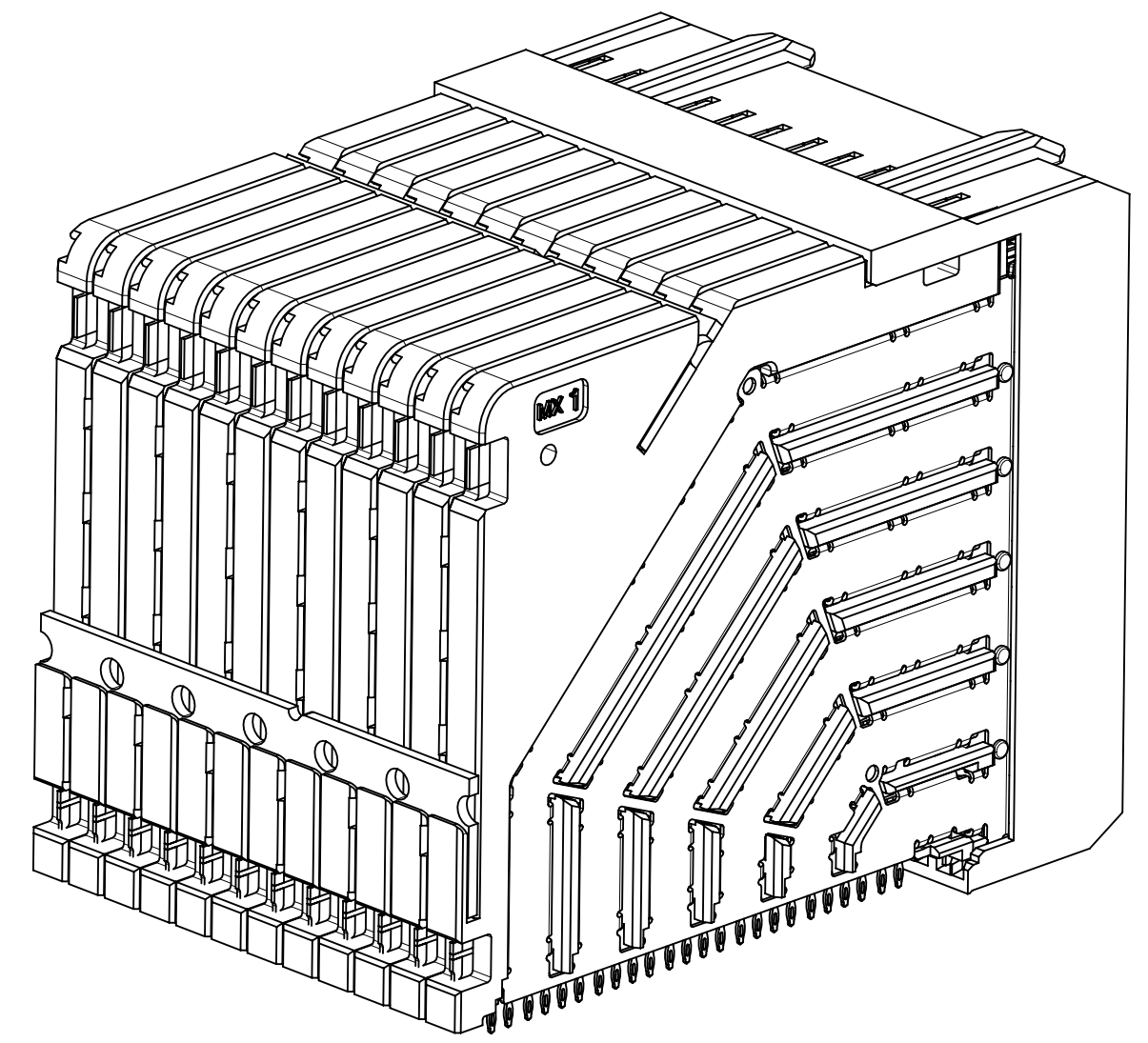


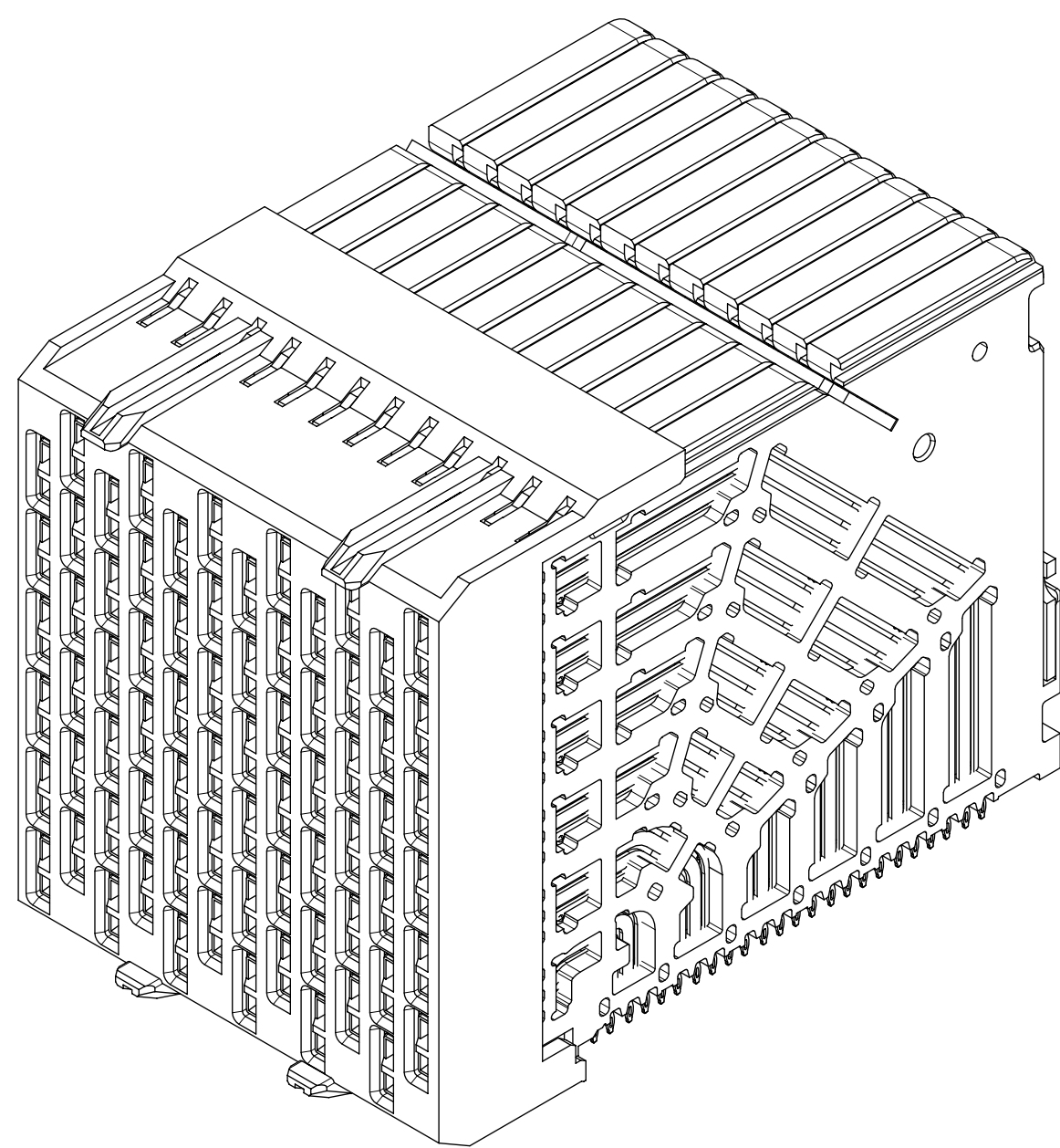
NOTES:

1. MATERIALS: HOUSING - LIQUID CRYSTAL POLYMER (LCP)  
GLASS-FILLED, UL94V-0  
TERMINALS - HIGH PERFORMANCE COPPER ALLOY
2. FINISH: 30uIN GOLD IN CONTACT AREA.  
SELECTIVE TIN ON PCB TAILS.  
NICKEL OVERALL.
3. REFER TO MOLEX PRODUCT SPECIFICATION PS-171320-999 FOR PERFORMANCE SPECIFICATIONS.
4. THIS PART CONFORMS TO CLASS B REQUIREMENTS OF MOLEX COSMETIC SPEC PS-45499-002.
5. PRODUCT WILL BE PACKAGED PER PK-78888-241.
6. SEE SHEET 2 FOR HOLE PATTERN DIMENSIONS.
7. MATES WITH IMPEL ORTHO BP 171495 SERIES OR ODRAM 171740 SERIES (UNGUIDED)
8. REFER TO IMPEL PCB ROUTING GUIDE AS-171500-990 FOR ANTIPAD, ROUTING RECOMMENDATIONS, AND ADDITIONAL PCB INFORMATION.

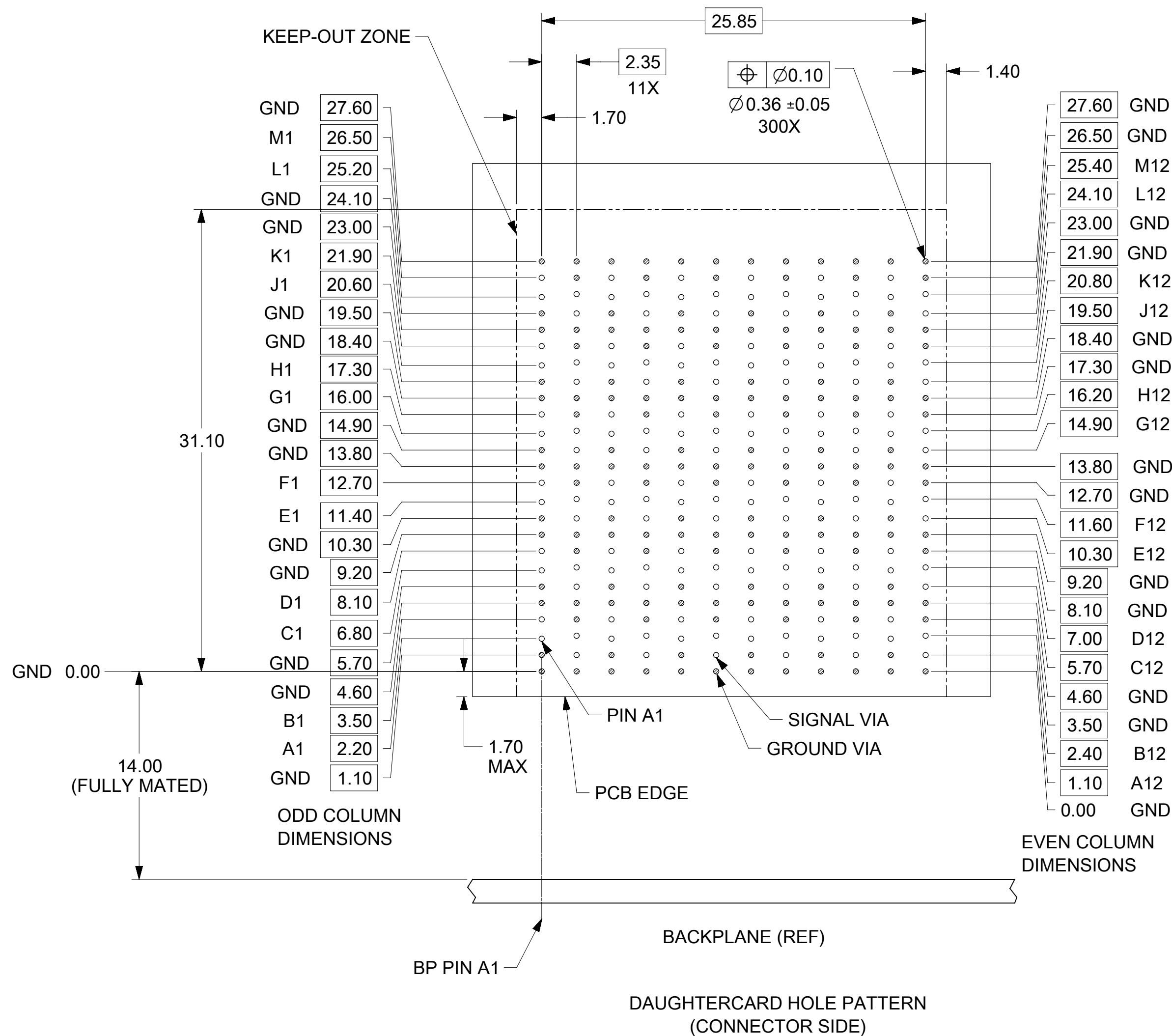


ISOMETRIC VIEW A  
12 COLUMNS WITH SLOTS

FUNCTIONAL SYMBOLS	THIS DRAWING CONTAINS INFORMATION THAT IS PROPRIETARY TO MOLEX ELECTRONIC TECHNOLOGIES, LLC AND SHOULD NOT BE USED WITHOUT WRITTEN PERMISSION					
	DIMENSION UNITS	SCALE				
$\nabla_A = 0$	mm	NTS	EC NO: 693839		2022/01/20	
$\nabla_E = 0$	GENERAL TOLERANCES (UNLESS SPECIFIED)		DRWN: JLTAN06		2022/01/28	
$\nabla_P = 0$	ANGULAR TOL $\pm 0.5^\circ$		CHK'D: YLLIM		2022/02/10	
DIVISIONAL SYMBOLS	4 PLACES	$\pm$	APPR: DWLEE01		2022/02/10	
	3 PLACES	$\pm$	INITIAL REVISION:			
	2 PLACES	$\pm 0.13$	DRWN: JLAURX		2012/04/13	
	1 PLACE	$\pm 0.25$	APPR: DWLEE01		2018/06/29	
0 PLACES	$\pm$	DRAFT WHERE APPLICABLE MUST REMAIN WITHIN DIMENSIONS				
THIRD ANGLE PROJECTION		DRAWING	SERIES	MATERIAL NUMBER	CUSTOMER	
		C-SIZE	171500	1715001022	GENERAL MARKET	
DOCUMENT NUMBER			DOC TYPE	DOC PART	REVISION	
SD-171500-0001			PSD	001	B	
SHEET NUMBER		1 OF 2				



ISOMETRIC VIEW B  
12 COLUMNS WITH SLOTS



FUNCTIONAL SYMBOLS	THIS DRAWING CONTAINS INFORMATION THAT IS PROPRIETARY TO MOLEX ELECTRONIC TECHNOLOGIES, LLC AND SHOULD NOT BE USED WITHOUT WRITTEN PERMISSION			
	DIMENSION UNITS	SCALE	CURRENT REV DESC: REV UP DRAWING TO REFLECT ADDED RELIEF SLOTS ON RIGHT WAFERS. ADDED ISOMETRIC VIEW A.	
	$\frac{F}{A} = 0$	mm	NTS	
	$\frac{F}{C} = 0$	GENERAL TOLERANCES (UNLESS SPECIFIED)		
DIVISIONAL SYMBOLS	ANGULAR TOL $\pm 0.5^\circ$		EC NO: 693839	
	4 PLACES $\pm$		DRWN: JLTAN06	2022/01/20
	3 PLACES $\pm$		CHK'D: YLLIM	2022/01/28
	2 PLACES $\pm 0.13$		APPR: DWLEE01	2022/02/10
1 PLACE $\pm 0.25$		INITIAL REVISION:		
0 PLACES $\pm$		DRWN: JLAURX	2012/04/13	
		APPR: DWLEE01	2018/06/29	
DRAFT WHERE APPLICABLE MUST REMAIN WITHIN DIMENSIONS		THIRD ANGLE PROJECTION	DRAWING	SERIES
			C-SIZE	171500
DOCUMENT STATUS		P1	RELEASE DATE	2022/02/10 03:06:09



IMPEL ORTHO DAUGHTERCARD  
6 PAIR X 12 COL UNGUIDED

PRODUCT CUSTOMER DRAWING

DOCUMENT NUMBER	DOC TYPE	DOC PART	REVISION
SD-171500-0001	PSD	001	B

MATERIAL NUMBER	CUSTOMER	SHEET NUMBER
1715001022	GENERAL MARKET	2 OF 2