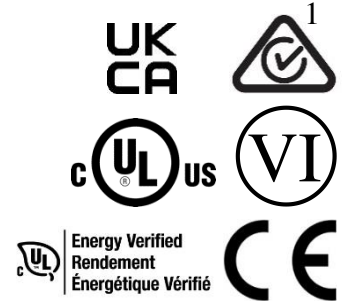




30W, IEEE802.3at Single Port PoE Active Injectors



Features

- IEEE802.3at Complaint
- DOE VI Efficiency
- Australian GEMS Registered¹
- Compact Size
- Limited Power Source
- Three Wire Input Models
- Full Over-Voltage and Over-Current Protection
- Non-Vented Case
- 1 Year Warranty

Applications

- IP Telephones
- Wireless Access Points
- Bluetooth[®] Access Points
- Security Cameras
- IP Print Servers
- WiMAX[®] Access Points

Safety Approvals

- cUL/UL (62368-1)
- CB (IEC62368-1)
- CE
- UL, cUL, CB 60950-1
- AS/NZS 60950.1¹

Mechanical Characteristics

- Length: 126mm (4.96in.)
- Width: 45.5mm (1.79in.)
- Height: 30mm (1.18in.)
- Weight: 0.16kg (5.64oz)

Output Specifications

Model	Data Speed	DC Output Voltage	Load		Regulation ²	
			Min.	Max.	Line	Load
POEA30U-1ATE-R	1G	56V	10mA	536mA	54-57V	
POEA30U-1AT-2-R	2.5G	56V	10mA	536mA	54-57V	
POEA30U-1AT-5-R	5G	56V	10mA	536mA	54-57V	
POEA30U-1AT-X-R	10G	56V	10mA	536mA	54-57V	

Notes:

1. Only applies to POEA30U-1ATE-R, POEA30U-1AT-2-R and POEA30U-1AT-5-R models
2. Voltage measured within 2" of the output RJ45 connector on data pairs 3,6(+) and 1,2(-)

INPUT:**AC Input Voltage Range**

90 to 264VAC

AC Input Current

0.8A (RMS) max

AC Input Frequency

47Hz to 63Hz

Leakage Current

3.5mA max @254V, 50Hz

Max In-rush Current60A max at 240VAC and max load
(Cold Start at ambient 25°C)**OUTPUT:****Output Power**

30W, de-rated up to 15W at 50°C

Hold up Time

10mSec min at max load at 120VAC, 60Hz

Efficiency²

Minimum 85% @max load

ENVIRONMENTAL**Temperature**

Operating -10°C to +40°C

Non-operating -20°C to +70°C

Relative Humidity 5 to 90%

EMI

EN55032 Class B, FCC part 15 Class B

AS/NZS CISPR 32, Class B³**Immunities**IEC61000-4-2 (ESD) 8KV Contact/15KV Air⁴

IEC61000-4-3 (RS) 3V/m

IEC61000-44(EFT) 1KV Input 0.5KV Output

IEC61000-4-5 (Surge) 1KV L-L, 2KV L-PE

IEC61000-4-6 (CS) 3V

IEC61000-4-11 (Dips) Class 3

IEC61000-3-2 (Harmonic) Class D

Isolation (HI-POT)

4242VDC for 1 minute, 10mA

Insulation Resistance

Primary to secondary:>10M Ohm 500VDC

MTBF

150,000 Hours Min@ Max Load 115VAC 25°C

FEATURES:**Over Voltage Protection**

Non-Latching auto recovery

Over Current Protection

<750mA Non-latch

Short Circuit Protection

Non-Latching auto recovery. Output can be shorted permanently without damage

LED Indicators

Green LED Slow Blinking – No connection

Green LED Fast Blinking – No Load

Green Solid – Power Good

Green/Yellow Fast Blink – Fault Detected

Yellow Solid with Green Blink – Over/Short Current Detected

AC Input Connector

IEC320 C14

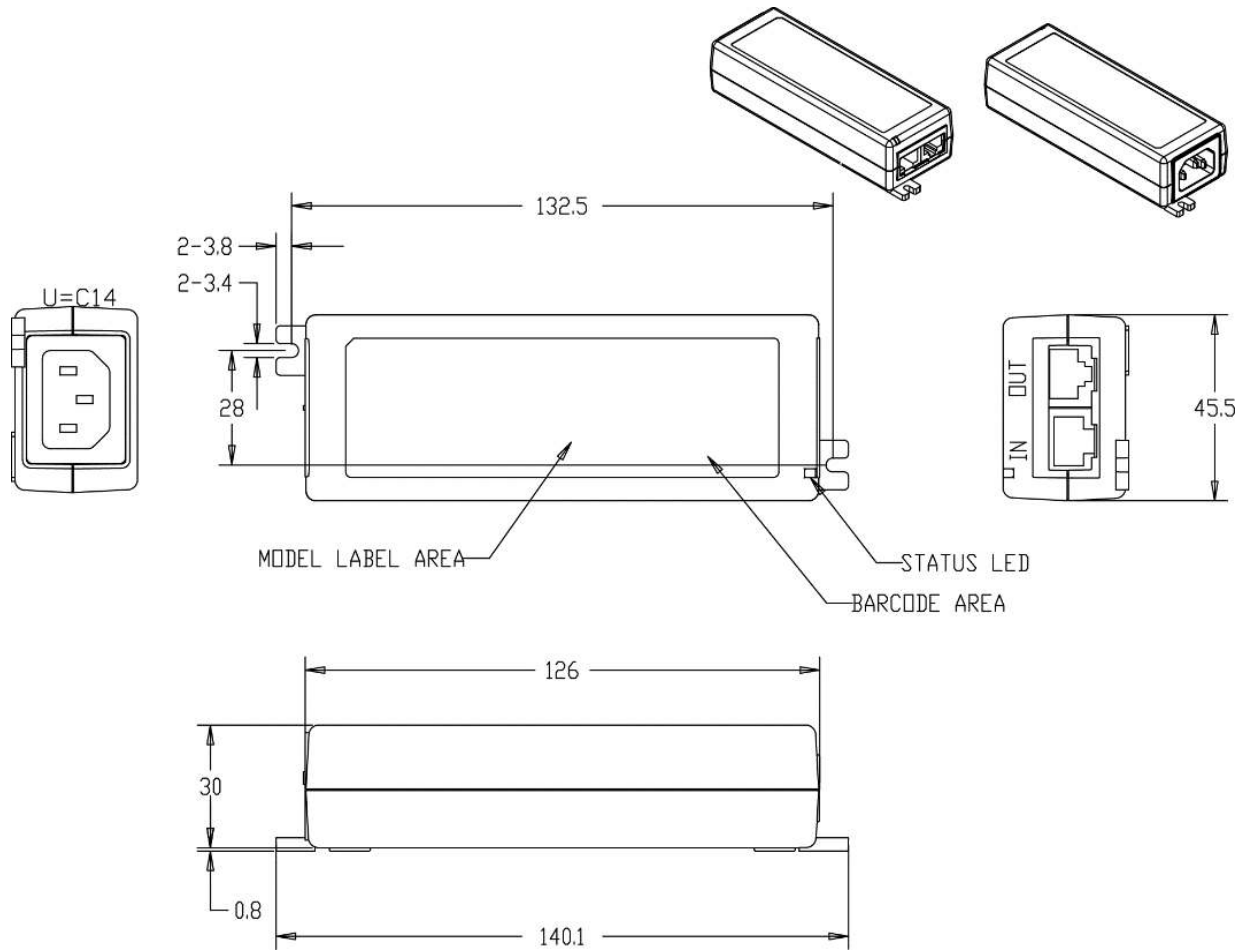
Output Connection

56VDC RJ45 Pins 3&6

56VRTN RJ45 Pins 1&2

Notes:

1. The characteristics defined are at ambient temperature of 25°C unless otherwise specified.
2. Efficiency is measured after 30 minutes burn-in.
3. Only applies to POEA30U-1ATE-R, POEA30U-1AT-2-R and POEA30U-1AT-5-R models.
4. Applies to builds after 05/2021. Original spec is 6KV Contact/8KV Air.





Supplier's Declaration of Conformity
47 CFR § 2.1077 Compliance Information

Phihong USA Corporation
47800 Fremont Boulevard
Fremont, CA 94538
Telephone: (510) 445-0100
www.phihong.com

This device complies with/The devices in this product series comply with part 15 of the FCC Rules. Operation is subject to the following two conditions: (1) This device may not cause harmful interference, and (2) this device must accept any interference received, including interference that may cause undesired operation.