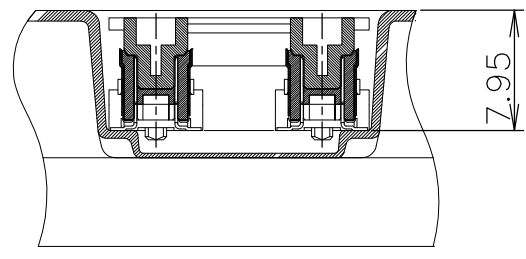
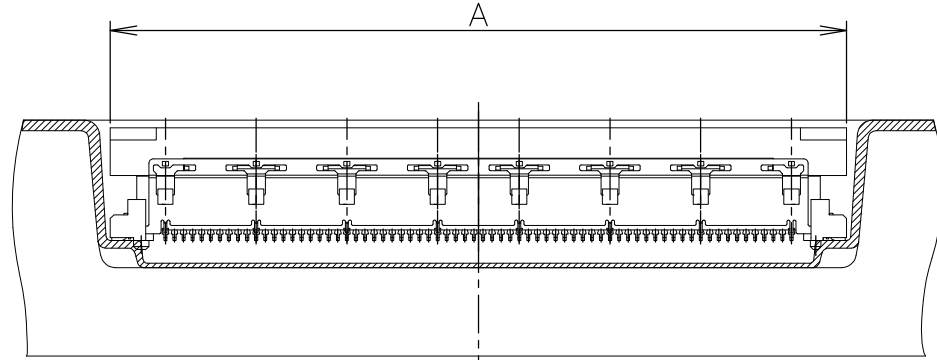
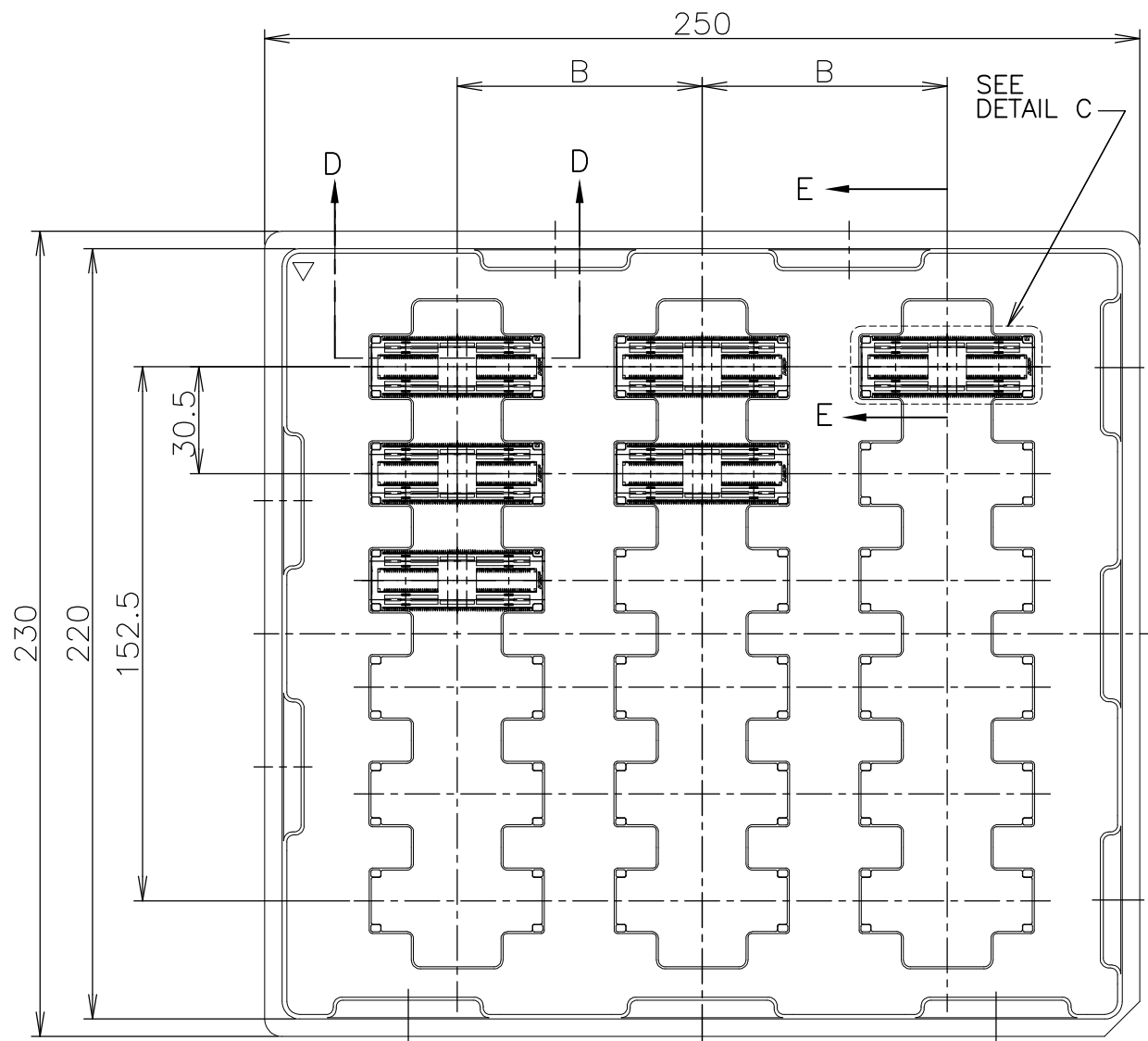


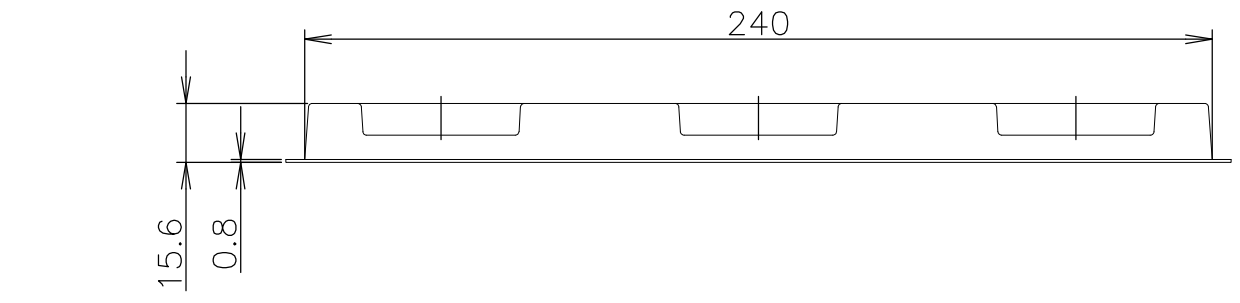
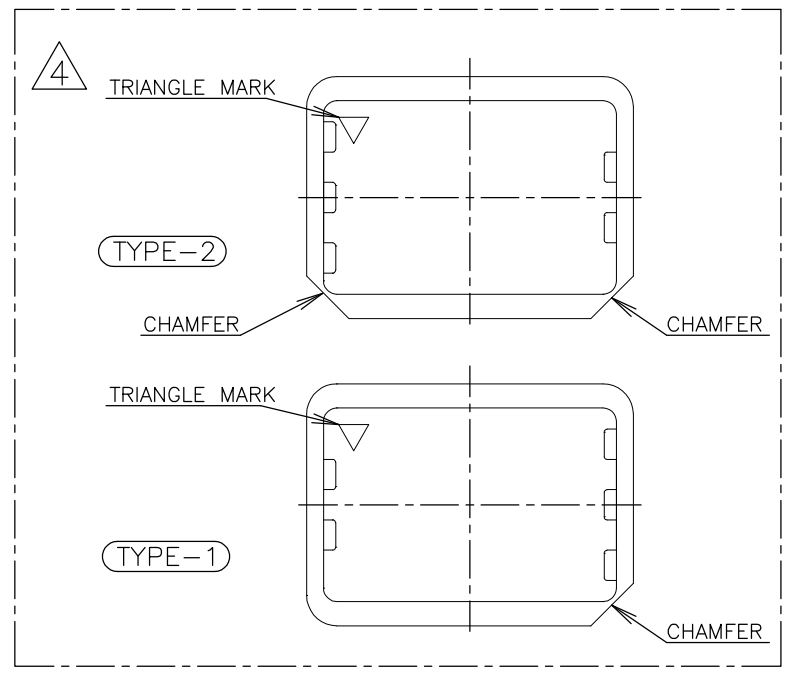
THIS DRAWING IS UNPUBLISHED. RELEASED FOR PUBLICATION OCT, 1997.
 © COPYRIGHT 1997 BY TYCO ELECTRONICS CORPORATION. ALL RIGHTS RESERVED.

LOC J	DIST	REVISIONS 変更			DATE	DWN	APVD
P	LTR	DESCRIPTION	DATE	DWN	APVD		
	A	REVISED ECR-08-000339	01FEB08	T.T	T.F		

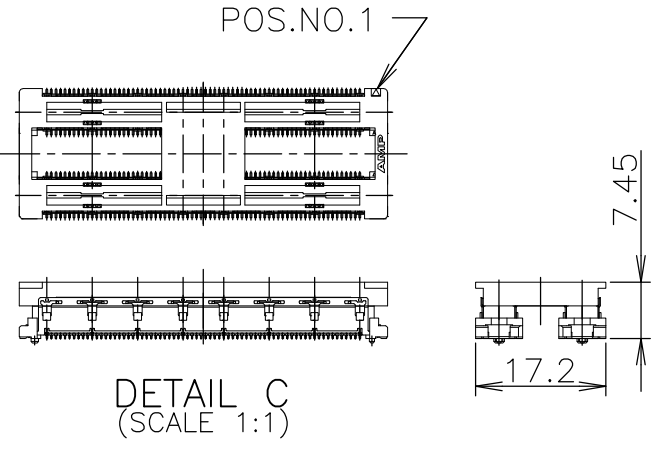
AS SHOWN: TYPE-1



4 TRAY TYPE-1 AND TYPE-2 MUST BE
 PILED UP BY TURNS.
 (REFER TO PACKING SPECIFICATIONS)



SEALANT	NOT AVAILABLE	3	18	70	54.7	320	6-912069-2	6-6123086-1
	AVAILABLE	↑	↑	↑	48.7	280	6-↑ -1	6-↑ -0
	NOT AVAILABLE	↓	↓	↓	42.7	240	6-↓ -0	5-↓ -9
	NOT AVAILABLE	3	18	70	36.7	200	5-912069-9	5-6123086-8
NON SEALANT	NOT AVAILABLE	3	18	70	54.7	320	6-912069-2	1-6123086-1
	AVAILABLE	↑	↑	↑	48.7	280	6-↑ -1	1-↑ -0
	NOT AVAILABLE	↓	↓	↓	42.7	240	6-↓ -0	↓ -9
	NOT AVAILABLE	3	18	70	36.7	200	5-912069-9	6123086-8
SEALANT	TOOLING STATUS	ROW	QTY	B	A	POS.	TRAY P/N	PART NO.



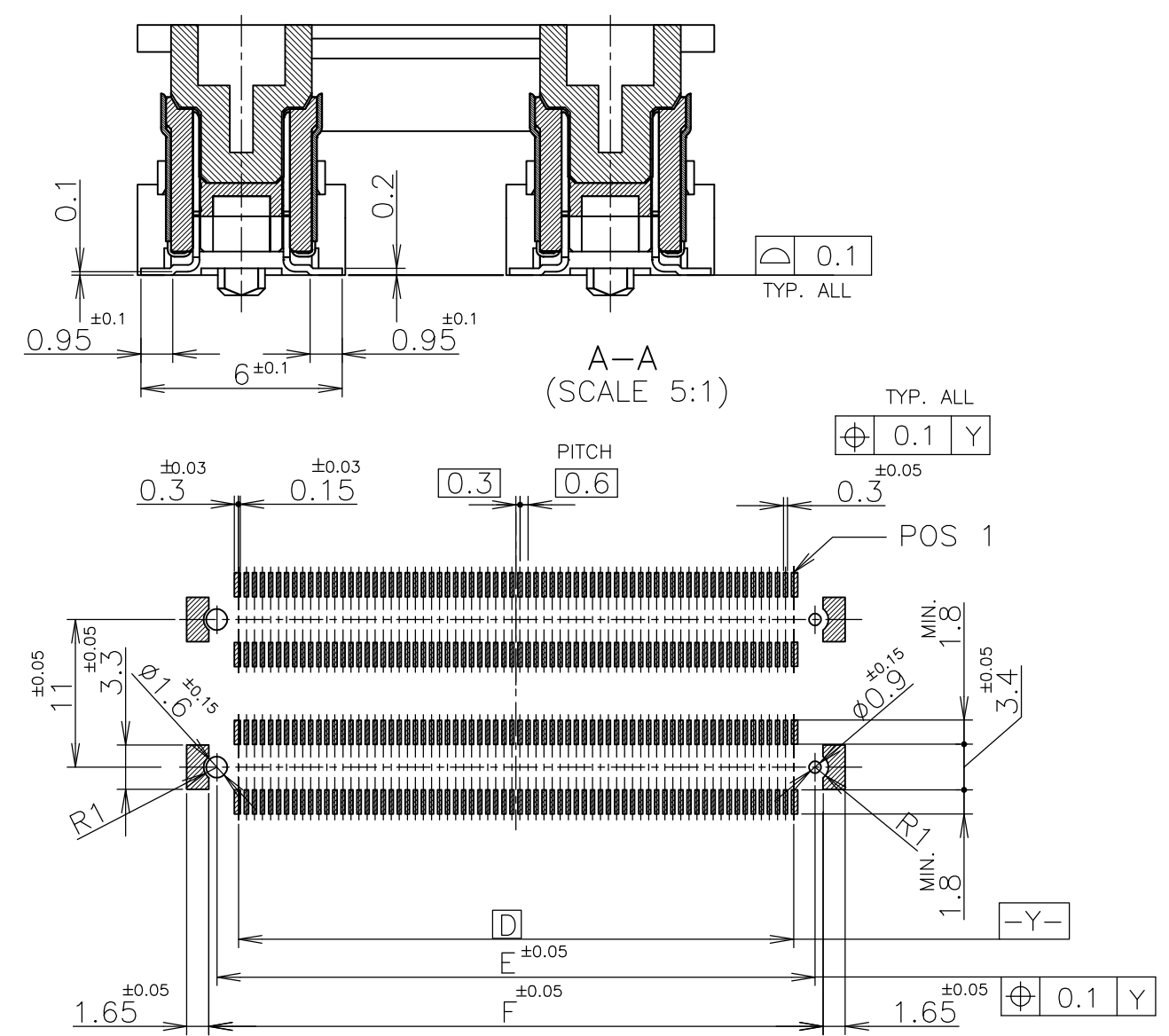
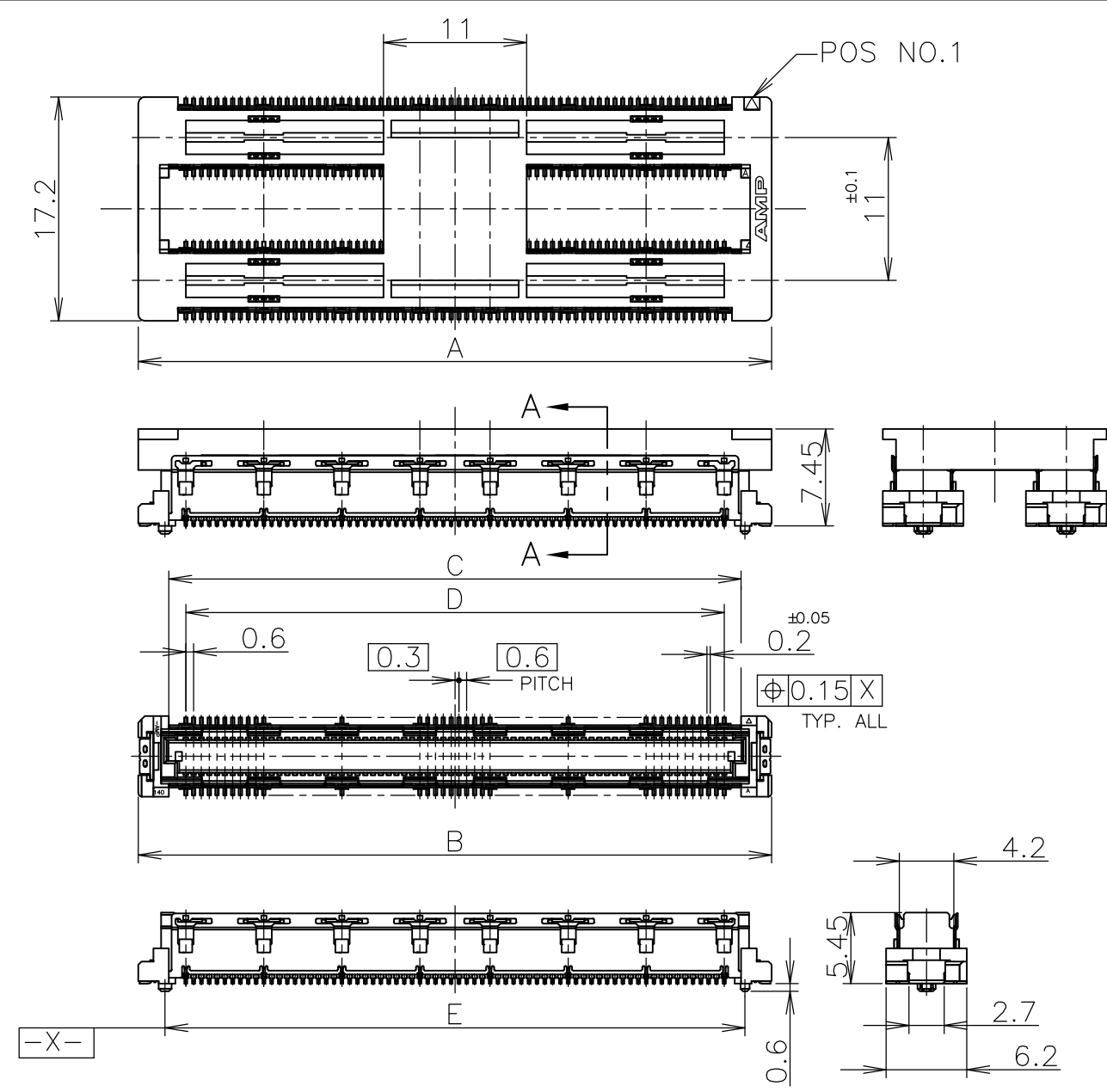
GENERAL TOLERANCE
 一般公差
 10 ≥ ±0.2
 30 ≥ >10: ±0.25
 100 ≥ >30: ±0.3
 ANGLES: ±3°

THIS DRAWING IS A CONTROLLED DOCUMENT.

DWN HAWKING HE 13DEC04	Tyco Electronics Tyco Electronics Corporation Kawasaki, Japan
CHK STEVEN YAO 13DEC04	
APVD I.ENOMOTO 13DEC04	NAME 名称
PRODUCT SPEC 製品規格 108-60047	SOFT TRAY ASSY FH 0.6BTB CONNECTOR PLUG 6H W/G-PLATE 2ROW TYPE
APPLICATION SPEC 取付適用規格 114-5255	SIZE A3
WEIGHT	CAGE CODE 00779
CUSTOMER DRAWING	DRAWING NO 番号 G-6123086
	RESTRICTED TO
	SCALE 尺度 1:2
	SHEET 1 OF 3
	REV A

THIS DRAWING IS UNPUBLISHED. RELEASED FOR PUBLICATION OCT, 1997.
 © COPYRIGHT 1997 BY TYCO ELECTRONICS CORPORATION. ALL RIGHTS RESERVED.

LOC	DIST	REVISIONS			DATE	DWN	APVD
J		P	LTR	DESCRIPTION			
				SEE SHEET 1	-	-	-



REFERENCE P.C.BOARD LAYOUT

51.8	50.6	47.4	50	54.7	54.7	320	1-353120-1
45.8	44.6	41.4	44	48.7	48.7	280	1- -0
39.8	38.6	35.4	38	42.7	42.7	240	-9
33.8	32.6	29.4	32	36.7	36.7	200	353120-8
F	E	D	C	B	A	POS	CAP P/N

- ① MATERIAL ; HOUSING : HIGH TEMP THERMO PLASTIC
UL94V-0
CONTACT : COPPER ALLOY
- ② FINISH ; UNDER PL Ni 0.0013mm MIN ALL OVER.
CONTACT AREA 0.0002 MIN Au PL.
SOLDERING AREA 0.001 MIN TIN PL.
- ③ THIS POSITION IS GROUND CIRCUIT.

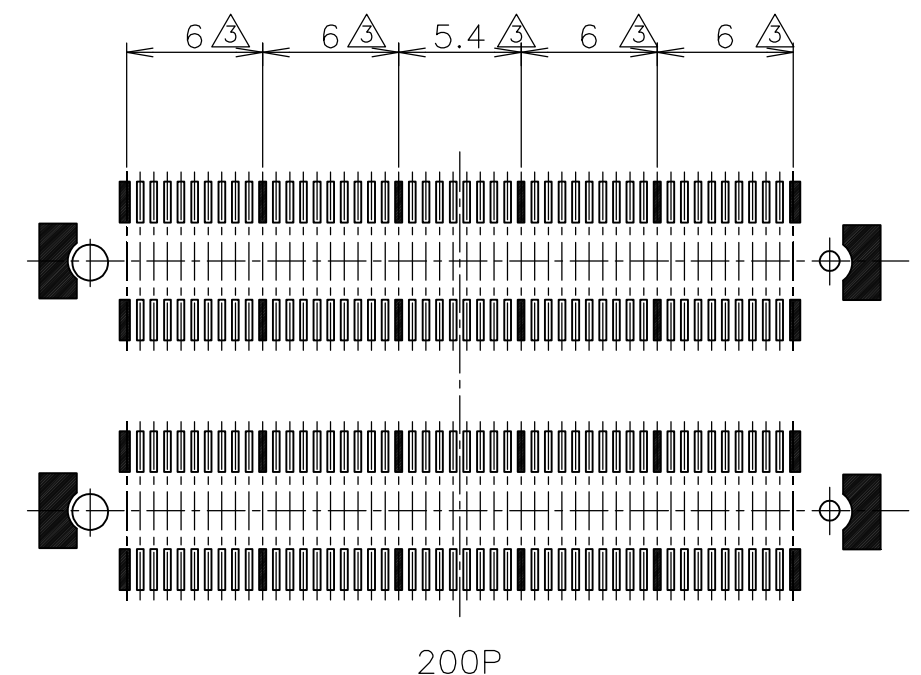
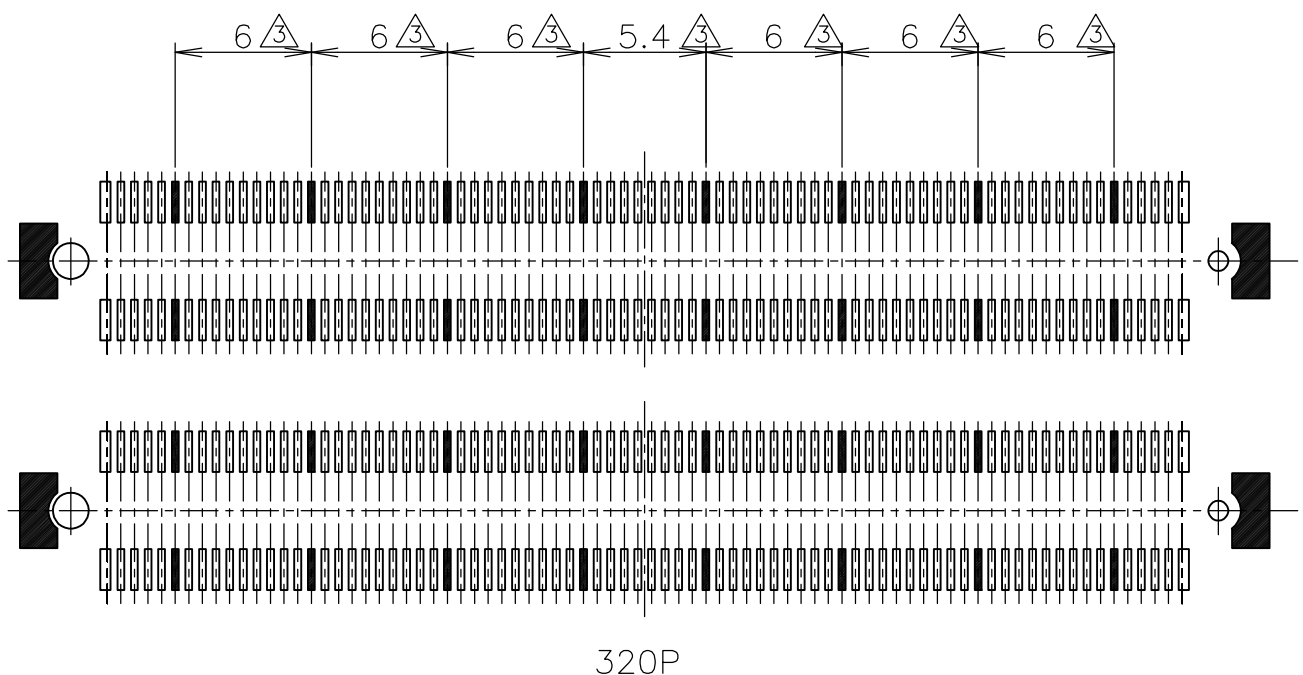
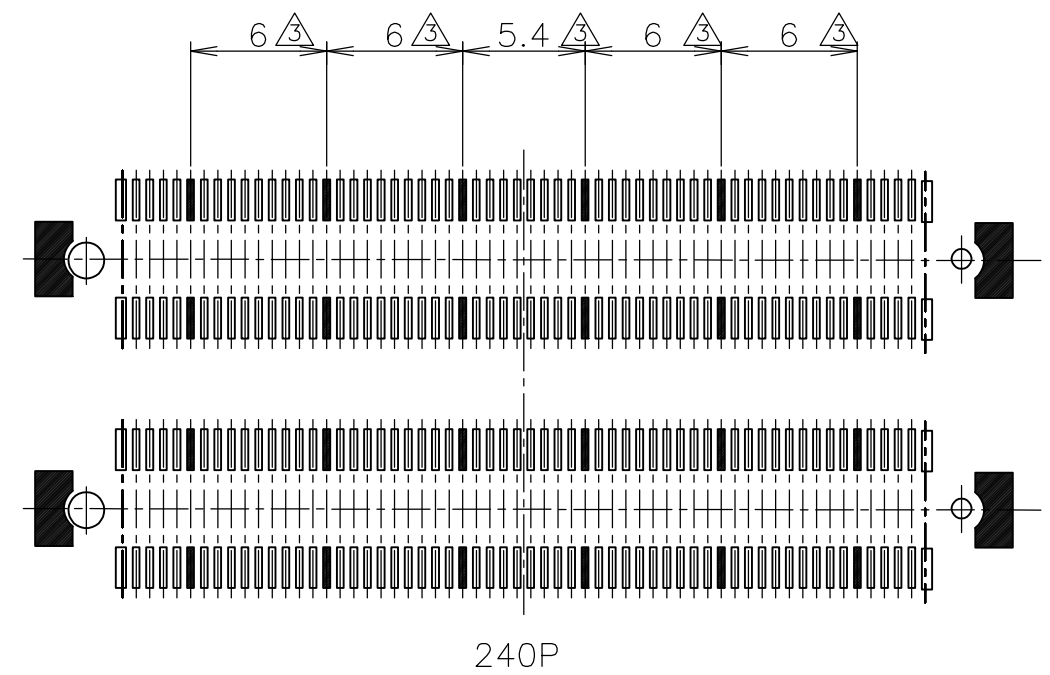
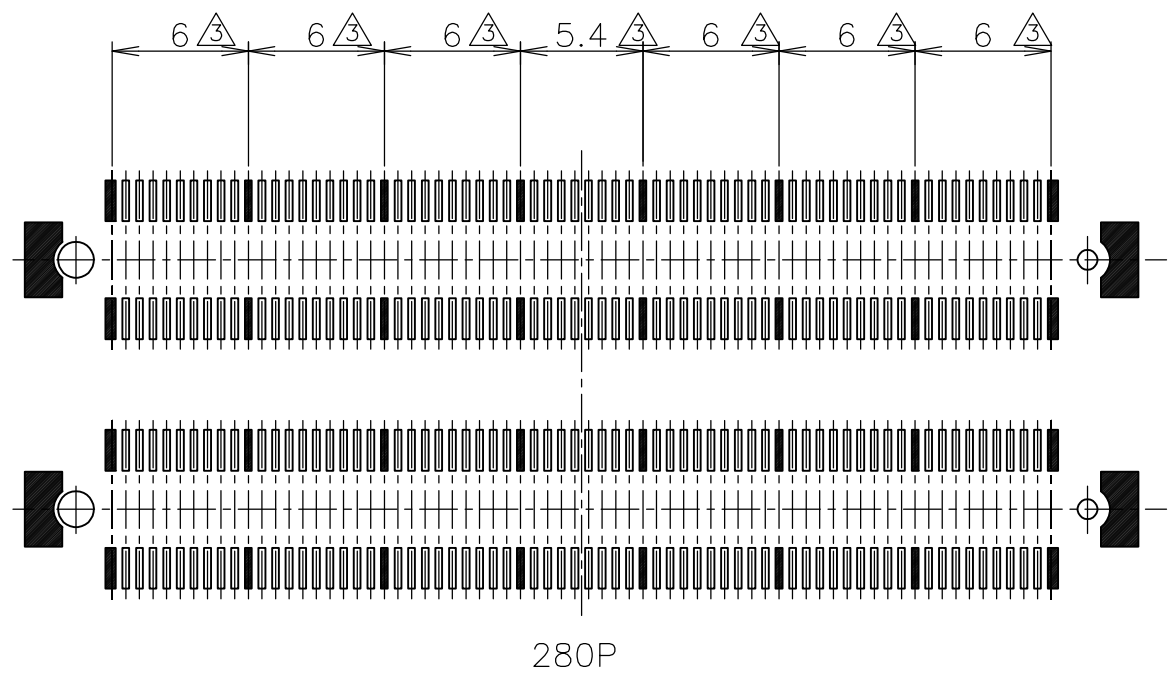
GENERAL TOLERANCE
一般公差

10 ≥	±0.2
30 ≥	>10:±0.25
100 ≥	>30:±0.3
ANGLES:±3°	

THIS DRAWING IS A CONTROLLED DOCUMENT.		DWN	Tyco Electronics Corporation Kawasaki, Japan	
DIMENSIONS: 単位: 耗 mm		CHK	NAME 名称	
TOLERANCES UNLESS OTHERWISE SPECIFIED: 一般公差		APVD	SOFT TRAY ASSY FH 0.6BTB CONNECTOR PLUG 6H W/G-PLATE 2ROW TYPE	
0 PLC ± -		PRODUCT SPEC 製品規格	SIZE	CAGE CODE
1 PLC ± -		APPLICATION SPEC 取付適用規格	A3	00779
2 PLC ± -		WEIGHT	DRAWING NO 番号	
3 PLC ± -		CUSTOMER DRAWING	G-6123086	
4 PLC ± -			SCALE 尺度	SHEET
ANGLES ± -			2:1	2 OF 3
FINISH 仕上			REV	A
MATERIAL 材料				

THIS DRAWING IS UNPUBLISHED. RELEASED FOR PUBLICATION OCT, 1997.
 © COPYRIGHT 1997 BY TYCO ELECTRONICS CORPORATION. ALL RIGHTS RESERVED.

LOC	DIST	REVISIONS 変更			DATE	DWN	APVD
J		P	LTR	DESCRIPTION			
			-	SEE SHEET 1	-	-	-



GENERAL TOLERANCE
一般公差

10 ≥ ±0.2
 30 ≥ >10: ±0.25
 100 ≥ >30: ±0.3
 ANGLES: ±3°

THIS DRAWING IS A CONTROLLED DOCUMENT.

DIMENSIONS: 単位: 耗 mm	TOLERANCES UNLESS OTHERWISE SPECIFIED: 一般公差
	0 PLC ± - 1 PLC ± - 2 PLC ± - 3 PLC ± - 4 PLC ± - ANGLES ± -
MATERIAL 材料	FINISH 仕上

DWN	CHK	APVD	Tyco Electronics Corporation Kawasaki, Japan	
PRODUCT SPEC 製品規格	APPLICATION SPEC 取付適用規格	WEIGHT	NAME 名称 SOFT TRAY ASSY FH 0.6BTB CONNECTOR PLUG 6H W/G-PLATE 2ROW TYPE	
SIZE	CAGE CODE	DRAWING NO 番号	RESTRICTED TO	
A3	00779	G-6123086		
CUSTOMER DRAWING			SCALE 尺度 3:1	SHEET 3 OF 3
			REV A	