

**Ratings**

Voltage: 300 V  
 Temperature  
 Static: -40 ~ 105 °C  
 Dynamic: -20 to 105 °C  
 Flammability: VW-1  
 Water resistant: 75 °C  
 Oil resistant: 60 °C (jacket)  
 ≥50% elongation and tensile strength after aging  
 UV resistance: jacket, 720 hours xenon or carbon arc exposure  
 ≥80% tensile strength and elongation after aging

**Conductor**

Conductor count: 7  
 Gauge: 32 AWG 0.04 mm<sup>2</sup>  
 Material: tinned copper strands  
 Strand size: Ø 0.08 mm x 7  
 Resistance at 20 °C: 588 Ω /km Max

**Insulator**

Material: PVC  
 Color: red, black, white, yellow, blue, green, orange  
 Diameter: Ø 1.05 ±0.10 mm  
 Nominal thickness: 0.38 mm  
 Resistance at 20 °C: 10 MΩ /km Min

**Drain**

Stranding: Ø 0.08 mm x 7  
 Material: tinned copper strands

**Shield**

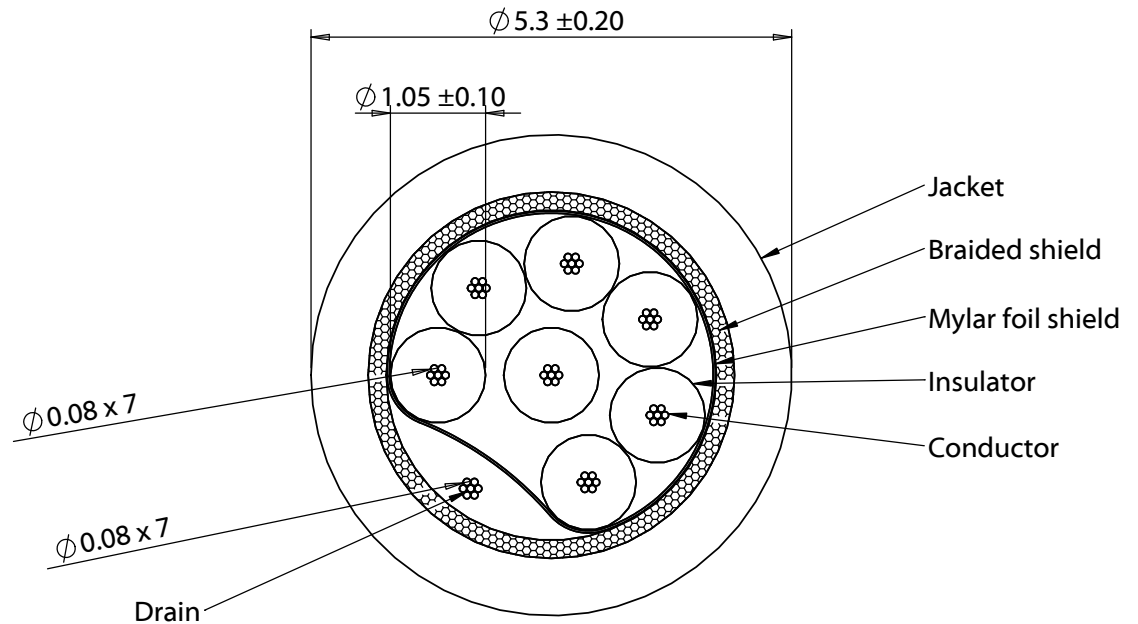
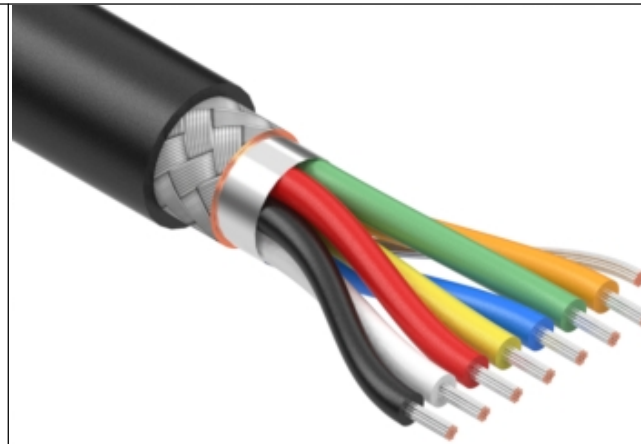
Type: aluminum mylar + tinned copper braid  
 Coverage: 65% min braid, 100% foil  
 Braid stranding: Ø0.10 mm

**Outer jacket**

Material: PVC, 80A  
 Color: black  
 Diameter: Ø 5.3 ±0.20 mm  
 Nominal thickness: 0.80 mm

**Wire marking:** E339579 UL AWM STYLE 20387 32 AWG 105°C  
 300V VW-1 60°C OIL RESISTANT UV RESISTANT TENSILITY

**Use:** External wiring



Revision:	Date:	Description:	Prepared:	Notes:	<h1>TENSILITY</h1> <p>tel 1.541.323.3228 800 877.670.7118                  fax 1.541.323.4202 web tensility.com</p>
A	8/25/2020	Initial release	JC <small>Digitally signed by JC                  Date: 2020.08.28                  10:16:36 -0700</small>	RoHS compliant	
			Verified: AW <small>Digitally signed by AW                  Date: 2020.08.28                  14:11:05 -0700</small>	Function test: no open, no short circuit, no intermittent	Size: Part number:
			Dimensions are in millimeters. Tolerances: X: ± 0.5 mm X.X: ± 0.3 mm X.XX: ± 0.05 mm	Description: Wire, 7C TS, 32 AWG, UL20387, 300V, 105C, 60C oil, UV, 5.3 mm, shielded, VW-1, PVC, 80A, black	A 30-01607
					Scale: 12:1  Sheet 1 of 1

5

4

3

2

1