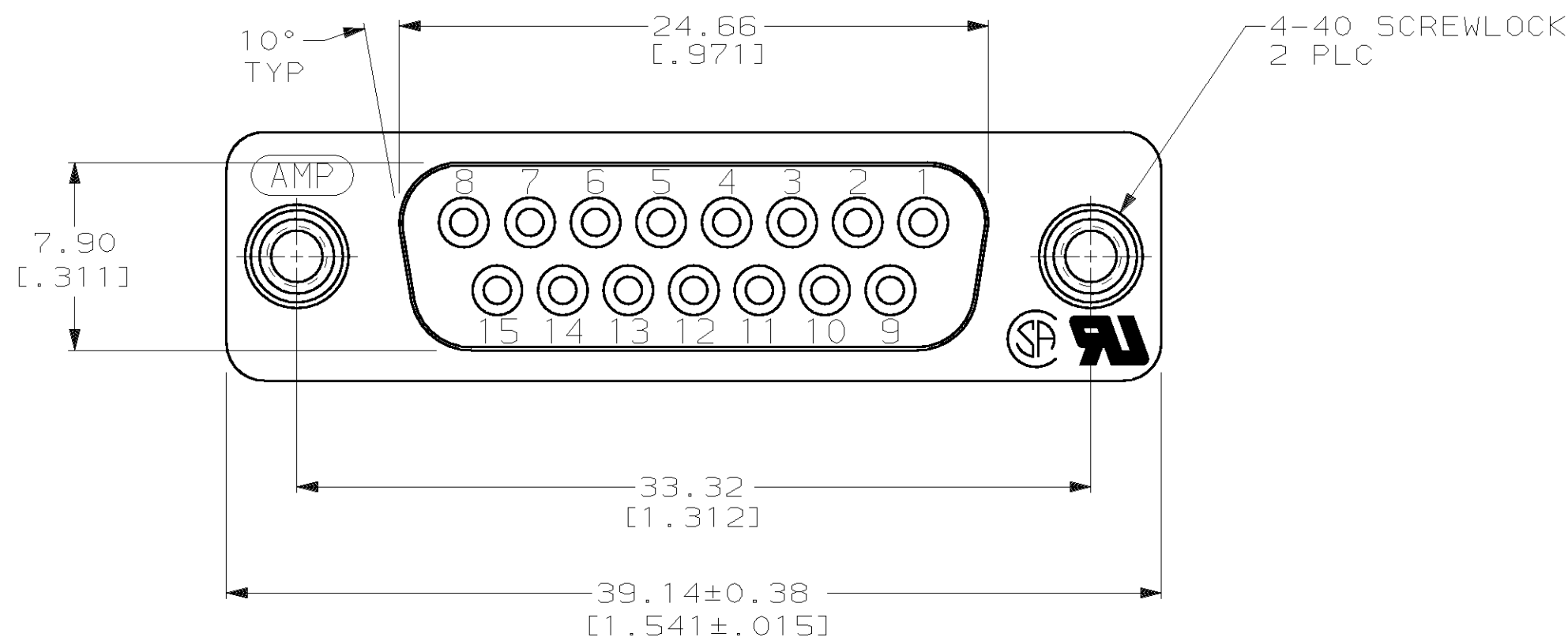
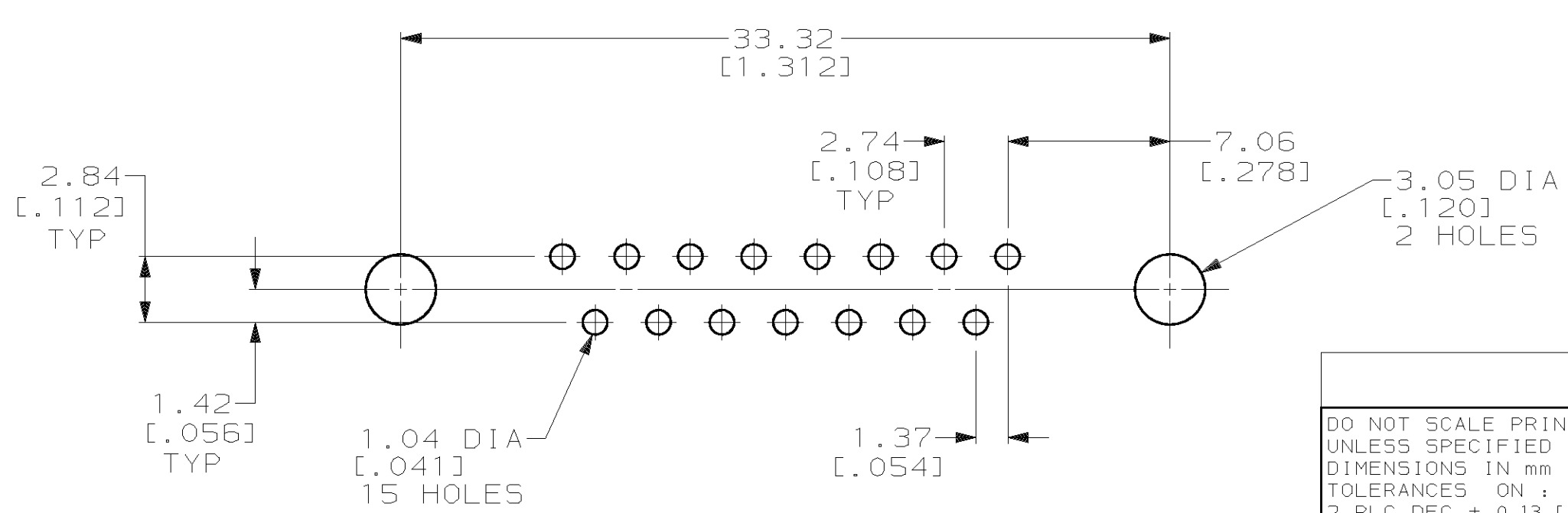
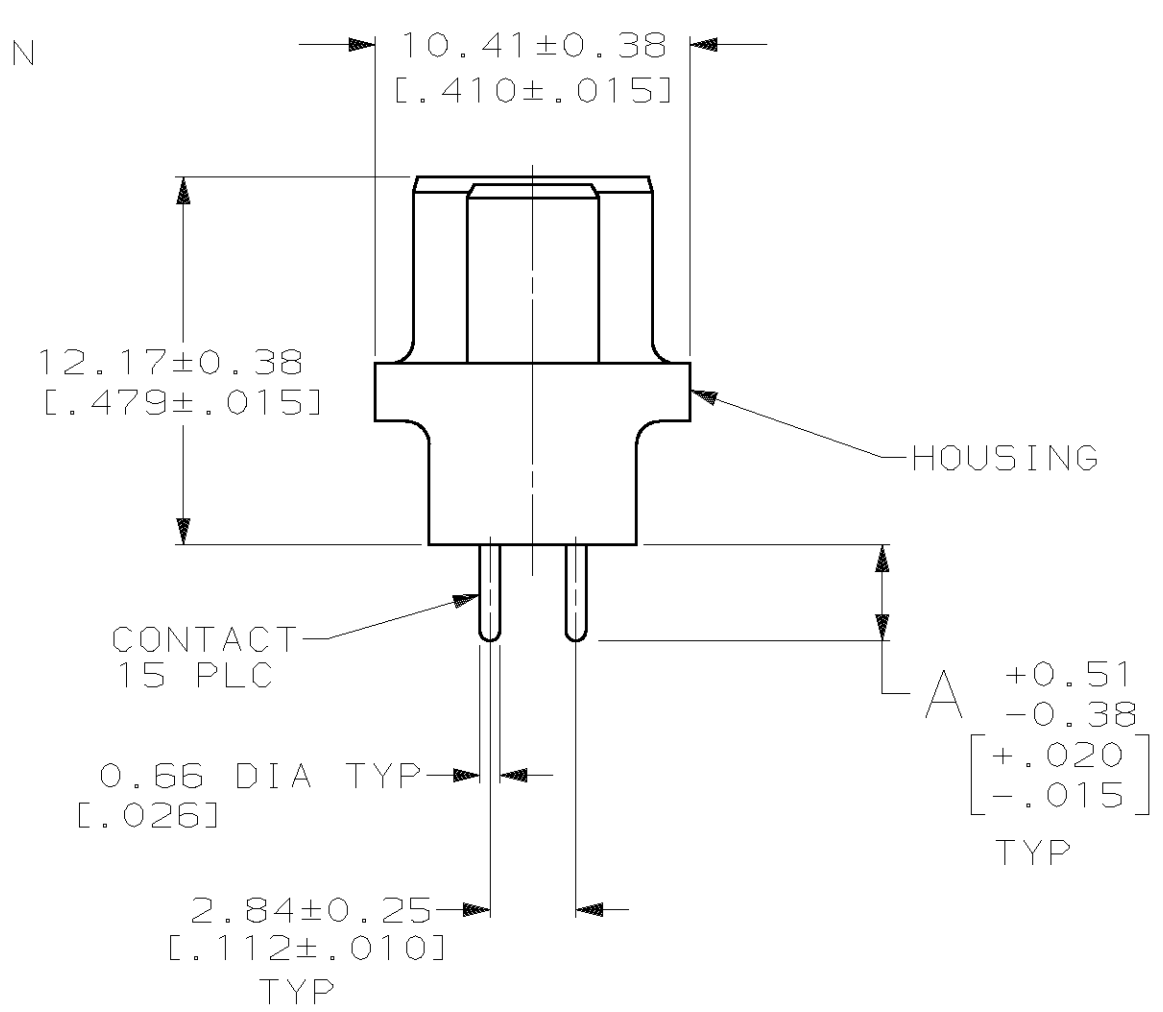
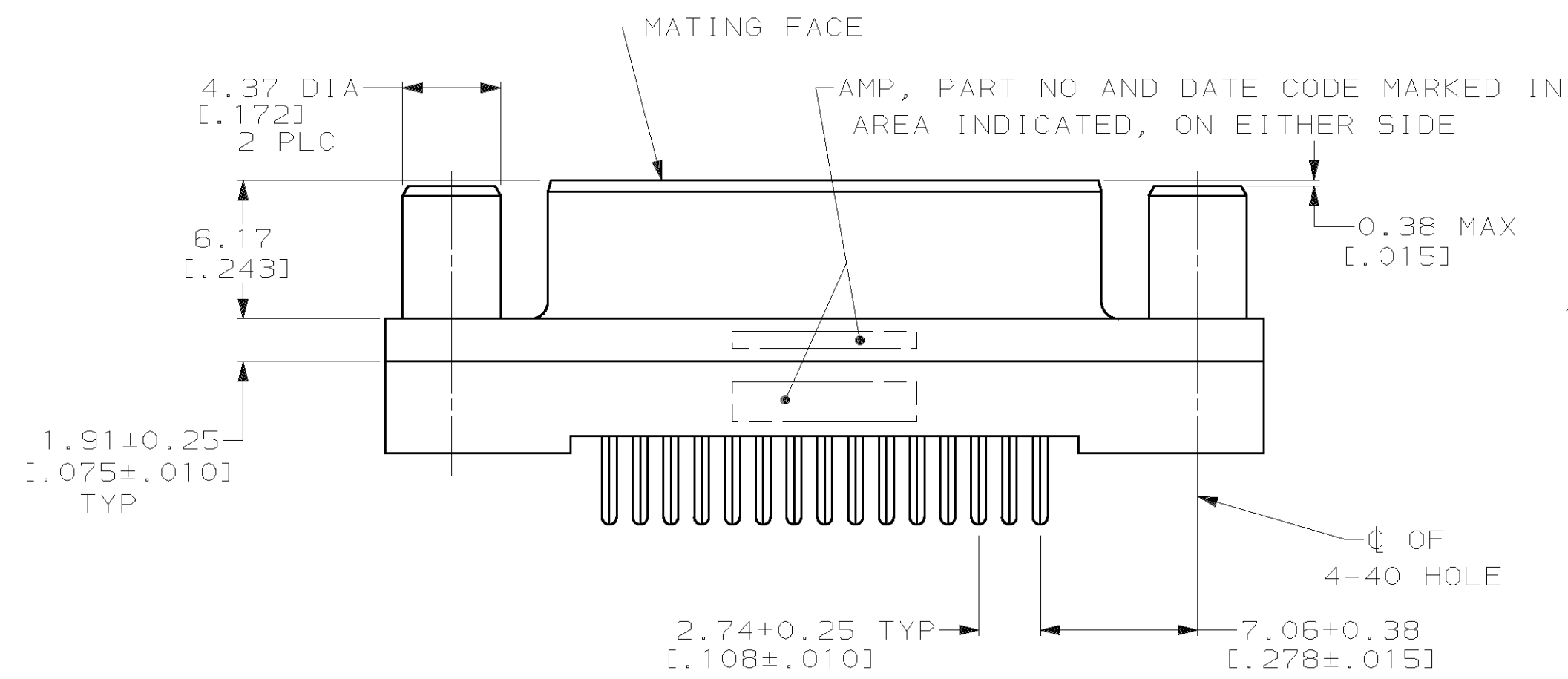


THIS DRAWING IS UNPUBLISHED. RELEASED FOR PUBLICATION ,19 .
 © COPYRIGHT 19 BY AMP INCORPORATED. ALL INTERNATIONAL RIGHTS RESERVED.

LOC	DIST	P	F	REVISIONS			DATE	APPD
				ZONE	LTR	DESCRIPTION		
GP	00			H	REV PER EC	0UE0-0002-01	09 JAN 02	JR



- 1 HOUSING: BLACK POLYESTER, UL 94V-0 RATED; CONTACTS: PHOSPHOR BRONZE PER QQ-B-750; SCREWLOCKS: BRASS PER QQ-B-626.
- 2 GOLD PLATING PER MIL-G-45204, TIN PLATING PER MIL-T-10727, NICKEL PLATING PER QQ-N-290, COPPER PLATING PER MIL-C-14550.
- 3 GOLD FLASH FOR A LENGTH OF 2.54[.100] MIN FROM MATING END, 2.54µm[.000100] MIN TIN OR TIN-LEAD FOR A LENGTH OF DIMENSION A FROM OPPOSITE END, ALL OVER 1.27µm[.000050] MIN NICKEL.
- 4 0.76µm[.000030] MIN GOLD FOR A LENGTH OF 2.54[.100] MIN FROM MATING END, 2.54µm[.000100] MIN TIN OR TIN-LEAD FOR A LENGTH OF DIMENSION A FROM OPPOSITE END, ALL OVER 1.27µm[.000050] MIN NICKEL.
- 5 1.27µm[.000050] MIN NICKEL OVER COPPER FLASH.



STATUS	SIZE	CONTACT FINISH	PART NO
OBSELETE	6.35 [.250]	4	745077-8
SUPERSEDED BY 745077-8	6.35 [.250]	3	745077-7
	4.32 [.170]	4	745077-6
OBSELETE	4.32 [.170]	3	745077-5
	3.18 [.125]	4	745077-4
	3.18 [.125]	3	745077-3
OBSELETE	3.56 [.140]	4	745077-2

DO NOT SCALE PRINT. UNLESS SPECIFIED DIMENSIONS IN mm [INCHES] TOLERANCES ON: 2 PLC DEC ± 0.13 [.005] 3 PLC DEC ± - ANGLES ± 2°		DR 11-16-89 J McCLINTON		AMP AMP INCORPORATED Harrisburg, Pa. 17105	
MATERIAL		CHK 2-1-90 R.STONE			
FINISH 2 CONTACT: SEE TABLE SCREWLOCK: 5		APPD 2-2-90 S.SCHIEFERLY		NAME RECEPTACLE ASSEMBLY, SIZE 2, 15 POSN, VERTICAL, AMPLIMITE® HD-20	
		APPD 2-2-90 C.ROHDE		DRAWING NO 745077	
		PRODUCT SPEC 108-40025		SIZE C CAGE CODE 00779 SHEET 1 OF 1	
		APPLICATION SPEC -		SCALE 4:1	
		WEIGHT -			

RECOMMENDED PC BOARD MOUNTING DIMENSIONS