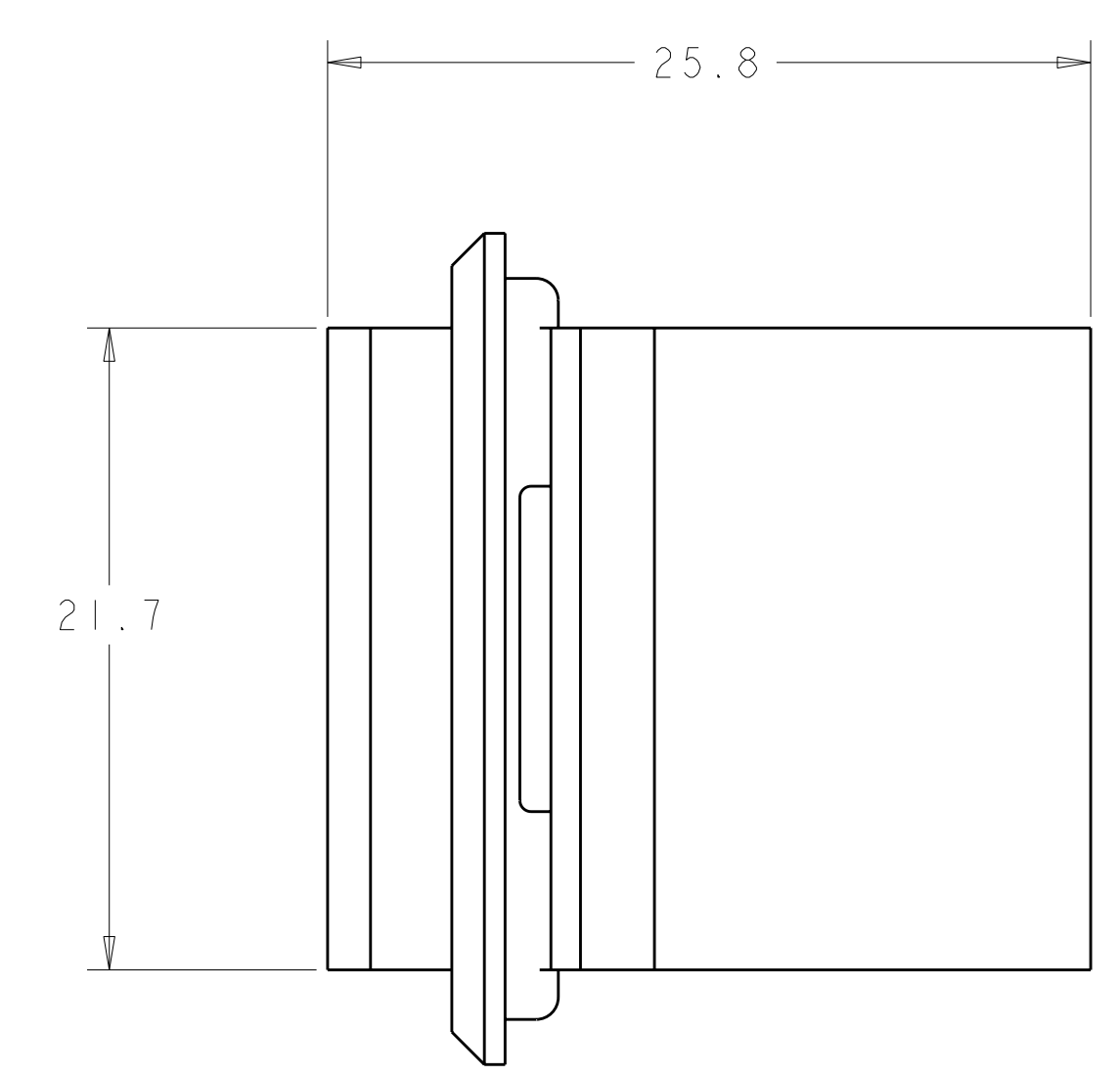
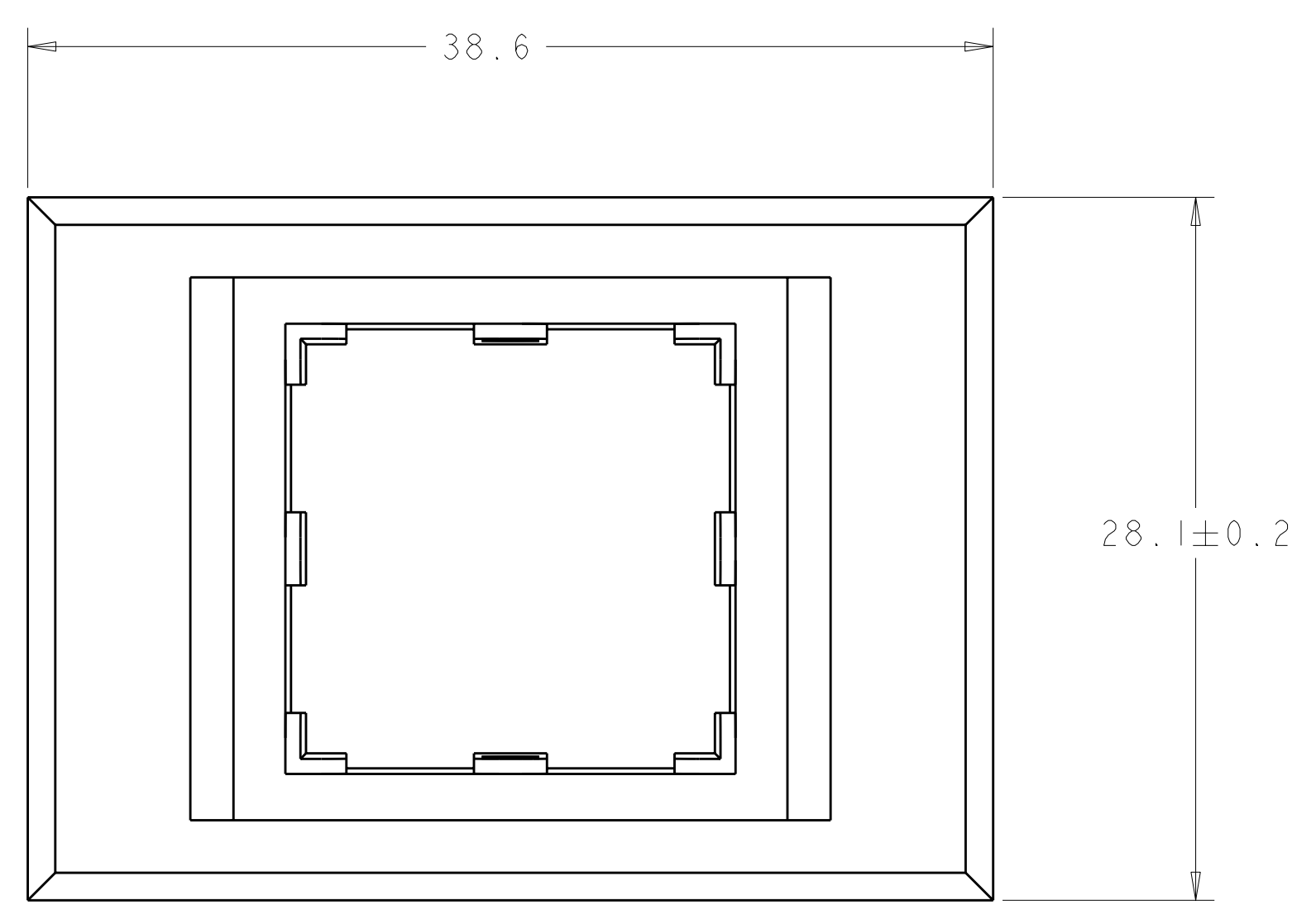
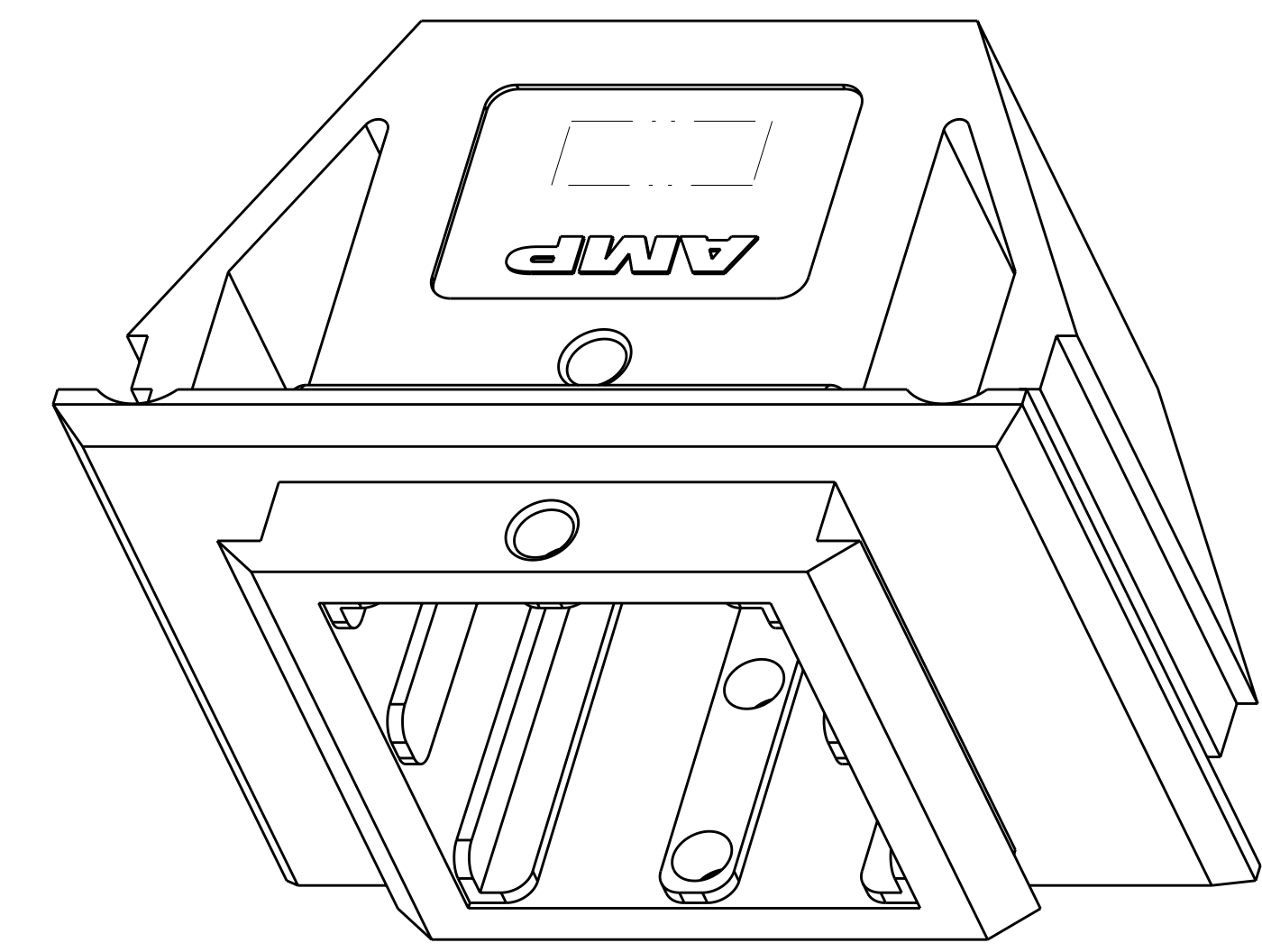
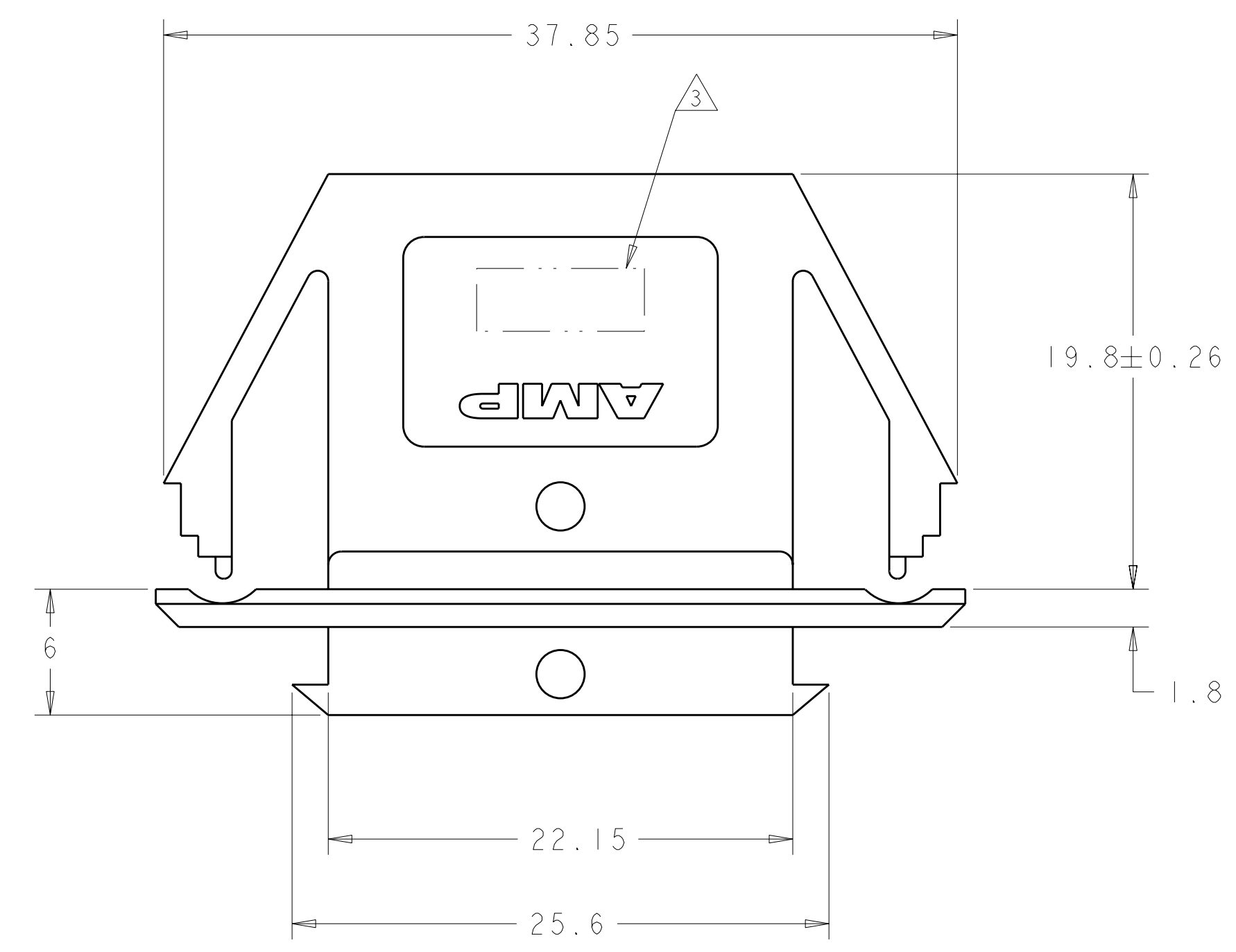


LOC	DIST	REVISIONS			
FT	0	REV	DATE	BY	APPV
		B	03JUN2011	HMR	DY



1. MATERIAL: POLYCARBONATE 94-V0
2. COLOR: BLACK
3. TE OR TE CONNECTIVITY LOGO LOCATED APPROX IN THIS AREA.

1604077-1
 PART NUMBER

THIS DRAWING IS A CONTROLLED DOCUMENT.		DWN B. HAYMAKER	09JAN2002	TE Connectivity
DIMENSIONS:		CHK K. KETELSLEGER	14MAR02	
mm	TOLERANCES UNLESS OTHERWISE SPECIFIED:	APVD K. KETELSLEGER	14MAR02	NAME HOUSING, 2X2 POWER SERIES RECEPTACLE
0 PLC ±0.13 1 PLC ±0.13 2 PLC ±0.13 3 PLC ±0.13 4 PLC ±0.13 ANGLES ±°	FINISH ±0.30°	PRODUCT SPEC	APPLICATION SPEC	SIZE A100779C=1604077
MATERIAL		WEIGHT		RESTRICTED TO
		CUSTOMER DRAWING	SCALE 4:1	SHEET 1 OF 1 REV B