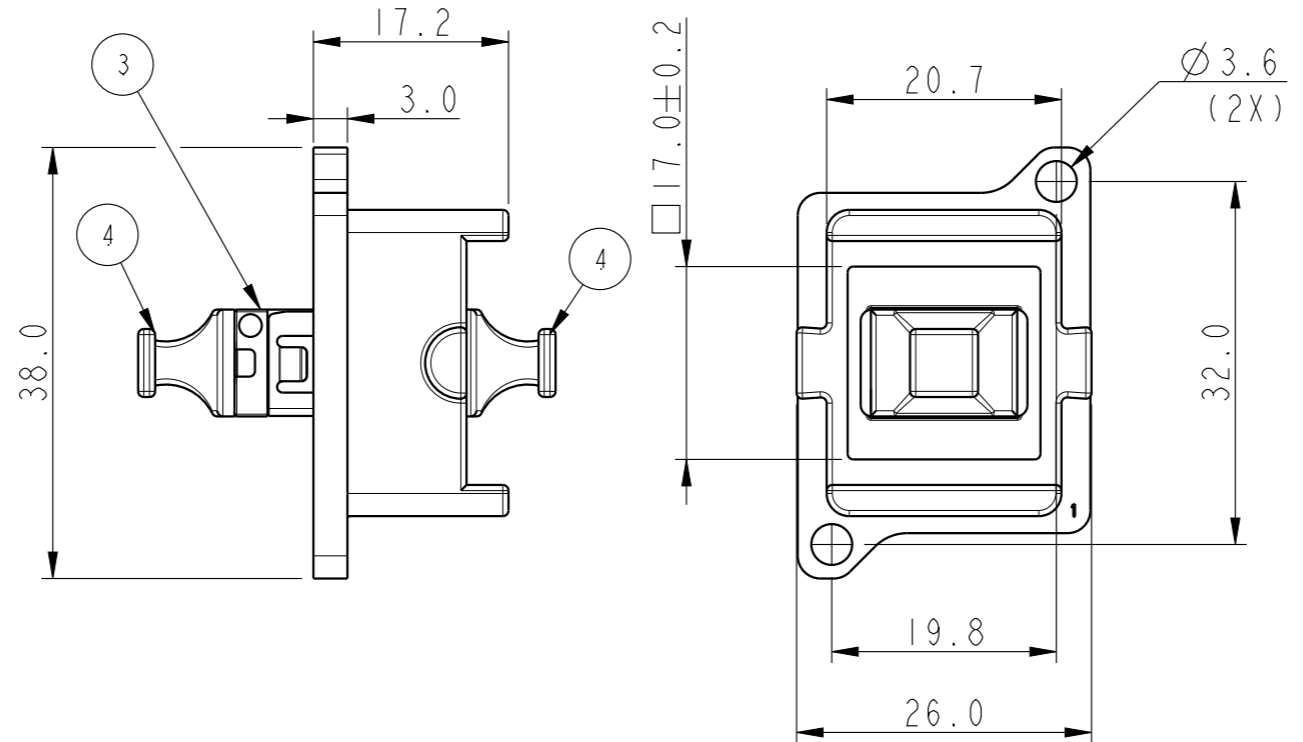
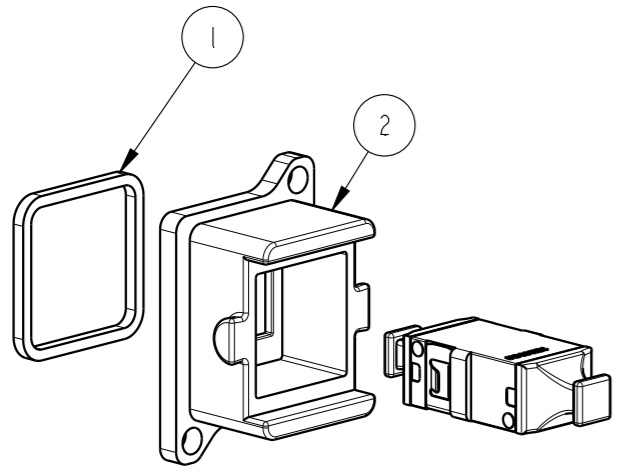
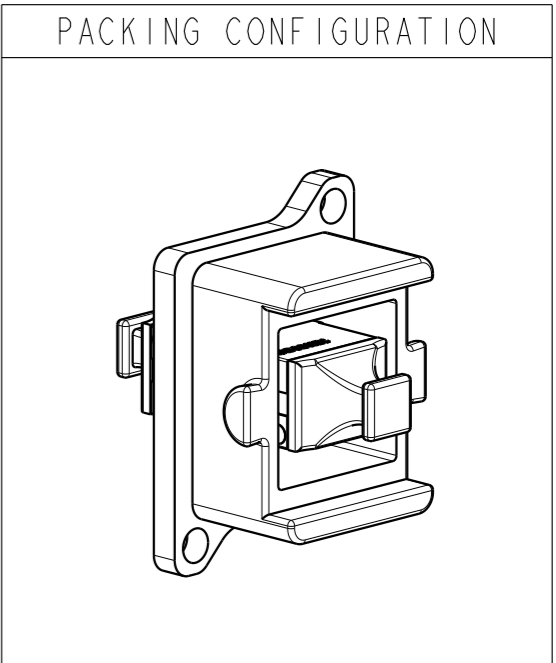
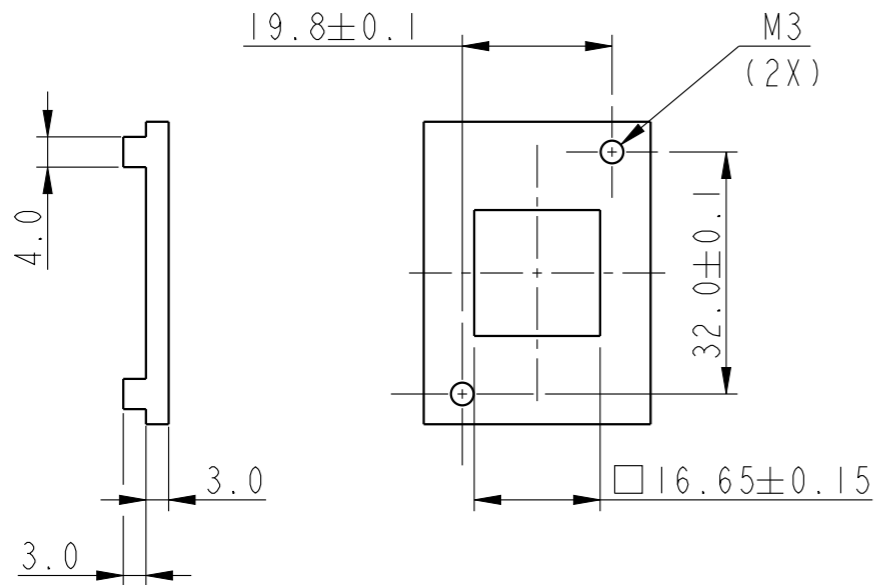


PART NUMBER
10145295-101LF

BULKHEAD ADAPTER ASSEMBLY FOR OCTIS MPO ADAPTER PLUG KIT



PANEL CUTOUT DIMENSIONS



SL NO.	COMPONENT	MATERIAL	QTY	COLOUR
1	SEALING GASKET	SILICONE	1	BLACK
2	BULKHEAD FOR MPO ADAPTER	IXEF	1	BLACK
3	MPO ADAPTER OPPOSED KEY ORIENTATION	PEI+STAINLESS STEEL	1	BLACK
4	DUST CAP	PC	2	GREY

NOTES:
 1. TO BE USED WITH OCTIS PLUG KIT FOR MPO ADAPTER VERSION, PITCH 26 MM- PART NUMBER 10145416-XXXLF
 2. CASTED MOUNTING PANEL SHOULD HAVE ON ITS REAR SIDE INTEGRAL RECTANGULAR REINFORCED RIBS OF 3MM THICKNESS AND 4MM WIDTH ALONG THE MOUNTING SCREW PLANE AT THE TOP AND BOTTOM TO ACCOMODATE THE BLIND INTERNAL SCREW THREAD

spec ref	dr	Varghese, Bone	2018/01/12	projection	MM	size	A3	scale	1:1	
tolerance std	eng	Varghese, Bone	2020/09/08			ecn no	ELX-I-38276-1			
ISO 406 ISO 1101	chr	-	-			rel level	Released			
surface	appr	Kuriakose, San	2020/09/08	product family	-	dwg no	10145295		rev	E
ISO 1302	Amphenol FCI TOLERANCES UNLESS OTHERWISE SPECIFIED linear: 0.X ±0.3, 0.XX ±0.10, 0.XXX ±0.05 angular: 0° ±2°		MPO ADAPTER AND BULKHEAD ASSEMBLY FOR OCTIS MPO ADAPTER PLUG KIT, PITCH 26 MM		cat. no.	-	Product - Customer Drw	sheet 1 of 1		

© 2016 AFCI Amphenol FCI