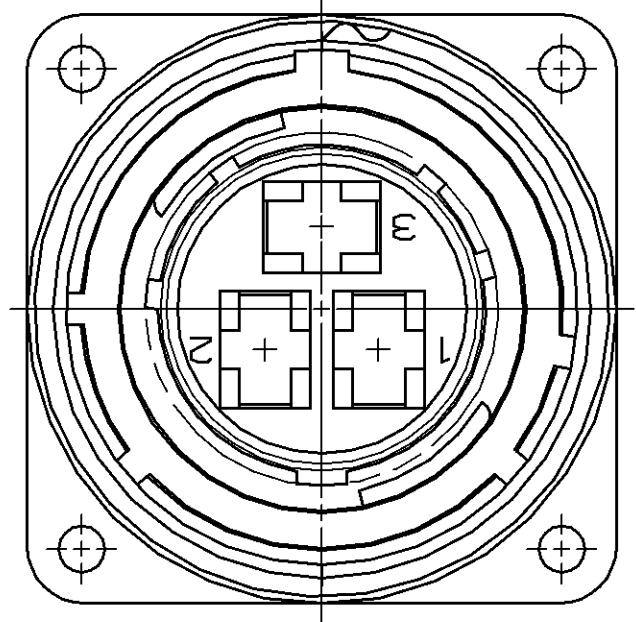
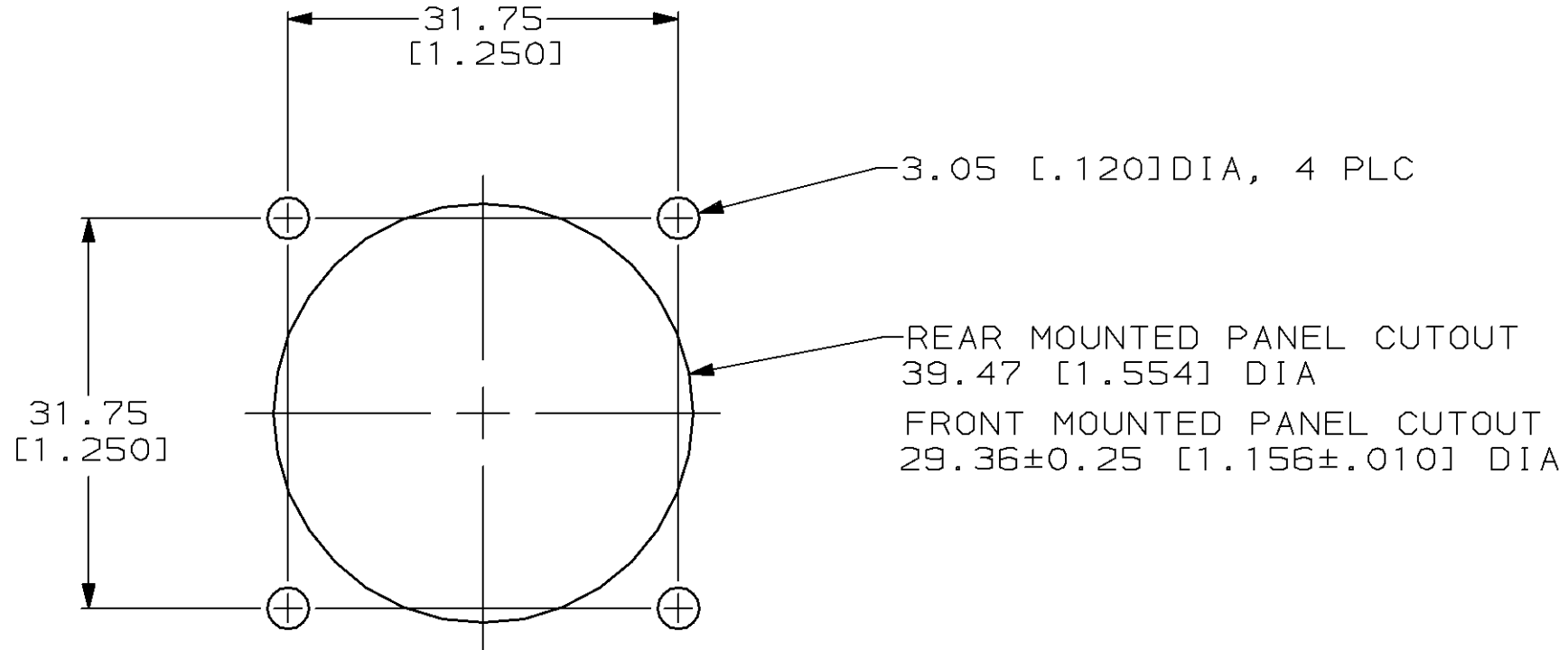
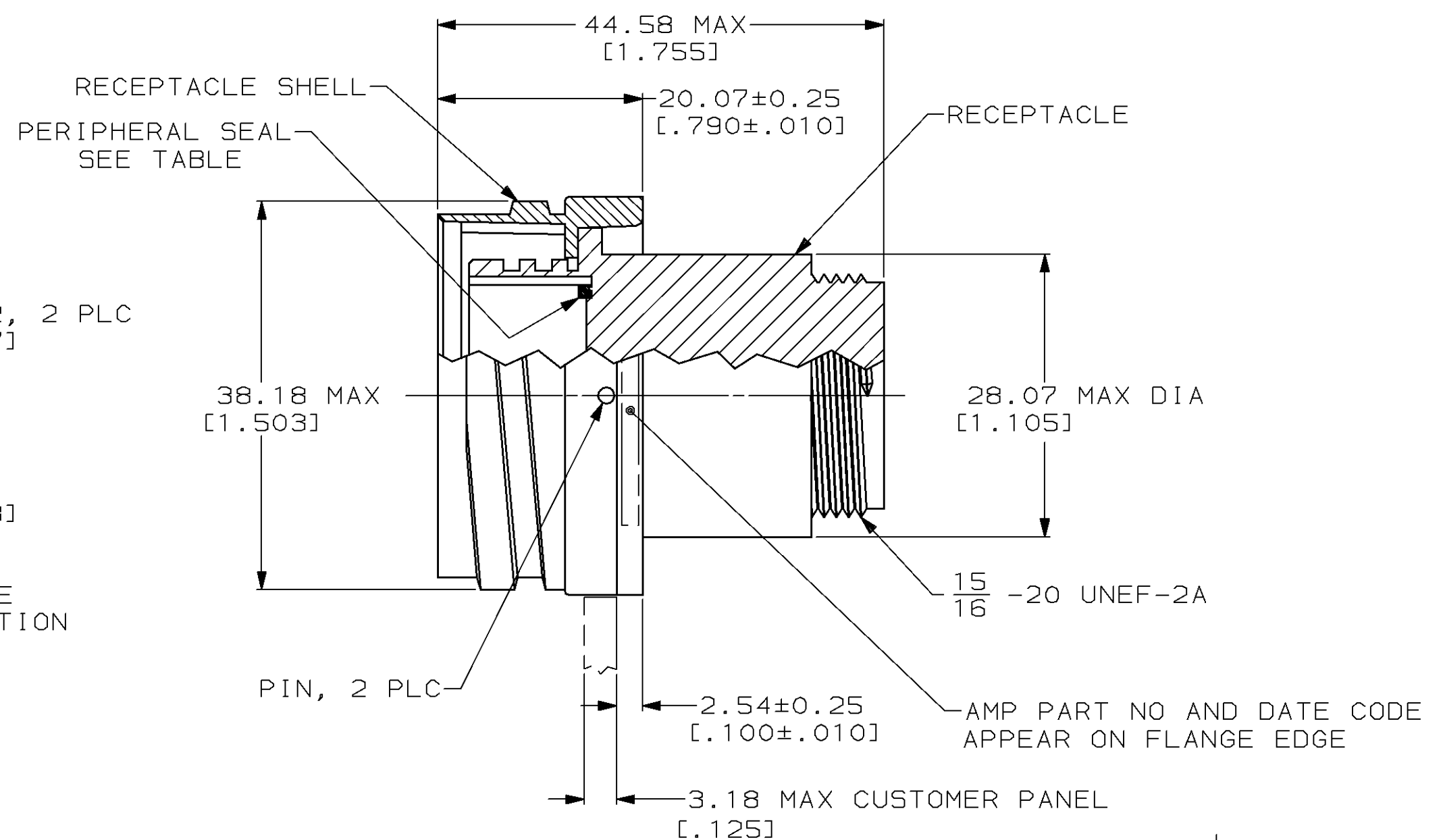
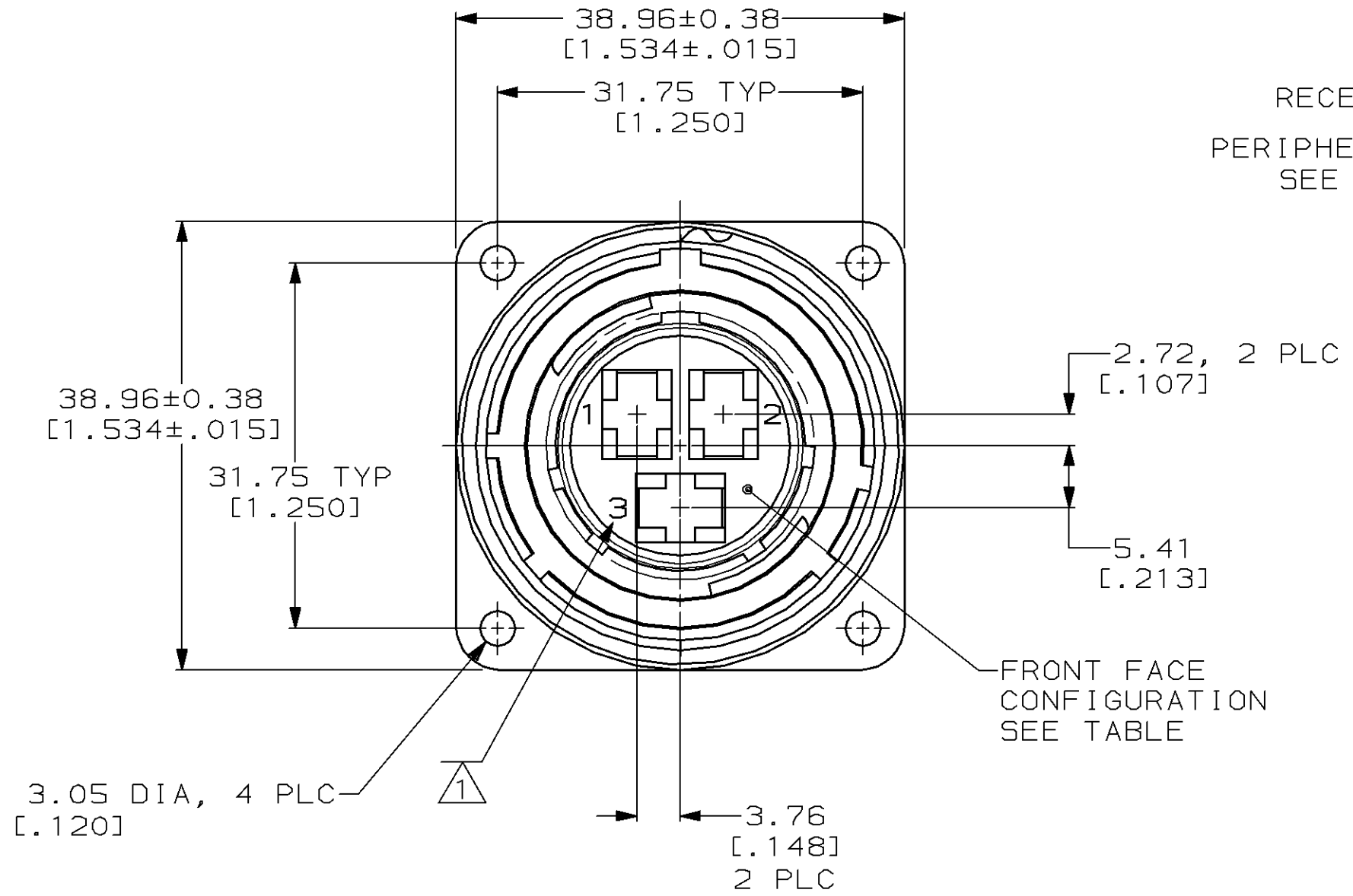


LOC		DIST		REVISIONS			
P	F	ZONE	LTR	DESCRIPTION	DATE	APPD	
BD	35		H	REDRAW ON CAD	1-29-92	KB	
			J	OBS -2 PER EC 0020-0394-93	11/17/94	RK	
			K	OBS -4 PER EC 0020-0136-95	17 JUL 95	AF	



OBSOLETE	PER DETAIL F	NO	208495-4
OBSOLETE	AS SHOWN	YES	208495-2
	AS SHOWN	NO	208495-1
	FRONT FACE CONFIGURATION	PERIPHERAL SEAL	PART NO

- ① CAVITY IDENTIFICATION CHARACTERS ON FRONT AND REAR FACE.
- 2. RECEPTACLE WILL ACCEPT 3 TYPE XII PIN CONTACTS.
- ③ 5.08µm [.000200] MIN NICKEL OVER 10.16µm [.000400] MIN COPPER.

DO NOT SCALE PRINT. UNLESS SPECIFIED DIMENSIONS IN mm [INCHES] TOLERANCES ON : 2 PLC DEC ± 0.13[.005] 3 PLC DEC ± - ANGLES ± -	DR 1-29-92 W.G.LENKER	AMP Incorporated Harrisburg, PA 17105-3608
	CHK 2-11-92 D.STONE	
MATERIAL RECEPTACLE: NYLON, BLACK RCPT SHELL: ZINC PERIP SEAL: ELASTOMER, GREY PIN: CARBON STEEL	APPD 2-12-92 K.BEAVER	NAME RECEPTACLE ASSEMBLY, 22-3, STD SEX, CMC
FINISH RCPT SHELL: ③ PIN: NICKEL PLATED	APPD 2-12-92 C.ROHDE	SIZE CAGE CODE DRAWING NO C 00779 208495
	PRODUCT SPEC -	SCALE SHEET 2:1 1 OF 1
	APPLICATION SPEC -	
	WEIGHT -	