

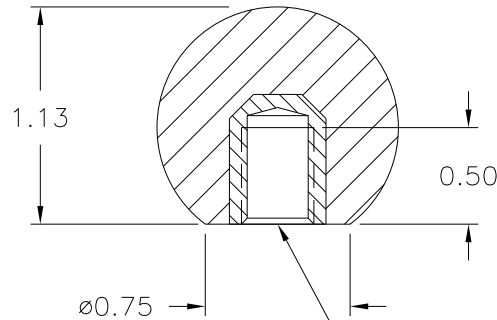
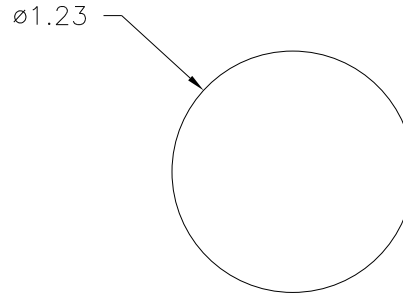
PART NAME: KNOB      SCALE: 1:1      DATE: 02/23/2000      DRN. BY: JAM

THIS DRAWING IS THE PROPERTY OF DAVIES MOLDING COMPANY, IS SUBMITTED SOLELY AS A DESIGN OR ENGINEERING PROJECT.  
 WE ACCEPT NO RESPONSIBILITY WHATSOEVER FOR THE PRACTICAL APPLICATION OF THE PIECES MADE TO THIS DESIGN.

**DAVIES MOLDING** DESIGNERS & MANUFACTURERS OF KNOBS, HANDLES, CASES & CUSTOM PLASTIC COMPONENTS

P/N 0014VC

UNIT IN PRESS	DH1 OR 2
F <sup>NO</sup> TOP	IR-14
F <sup>NO</sup> BOTTOM	IR-14
CAVITY	M-14
CORE	M-14
SLEEVE	0014
PIN	0014VC
INSERT	I0212



3/8-16 UNC-2B THREADED  
 I0212, H.H BRASS

MATERIAL: POLYPROPYLENE (CLD)  
 COLOR: RED (6900)

TOLERANCES: UNLESS OTHERWISE SPECIFIED	DO NOT SCALE DRAWING				
		-	COMPLETED TOOLING BOX	TS	10/2/2001
DECIMALS: X.XXX ± .005 X.XX ± .015	MM: X.XX ± 0.15MM X.X ± 0.4MM	-	ADDED TOOLING TO BOX	TS	3/21/2001
		-	ORIGINAL DRAWN BY	TL	6/16/99
FRACTIONS ± 1/64	ANG. ± 1°	CHANGES			

