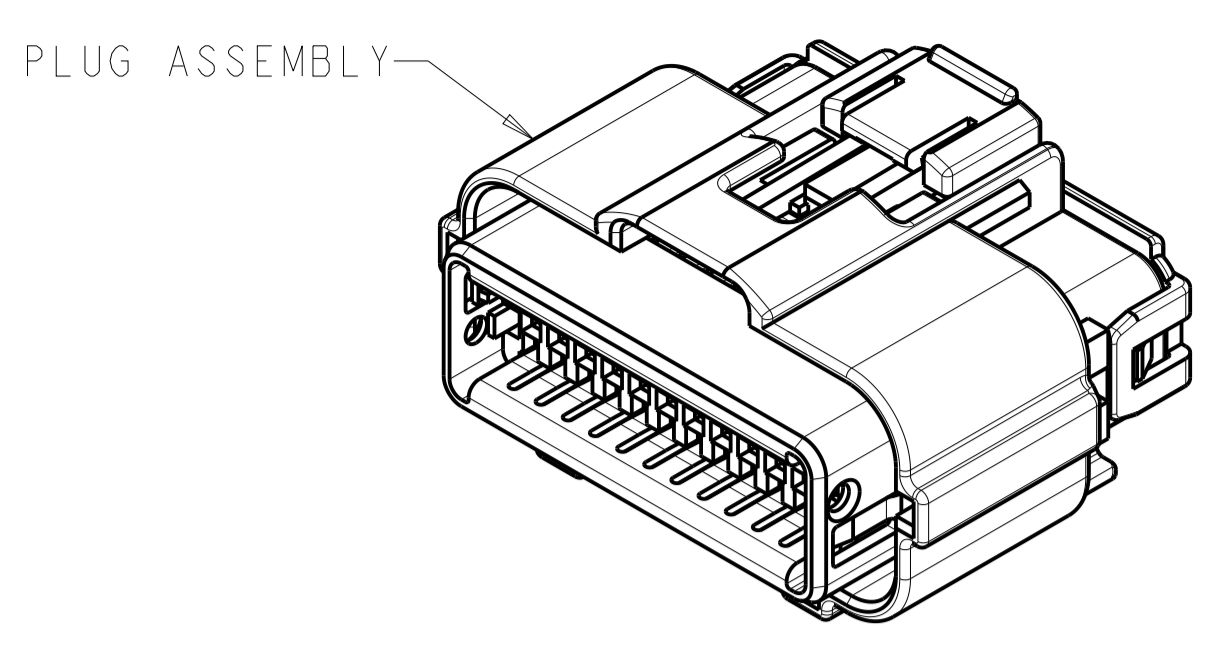
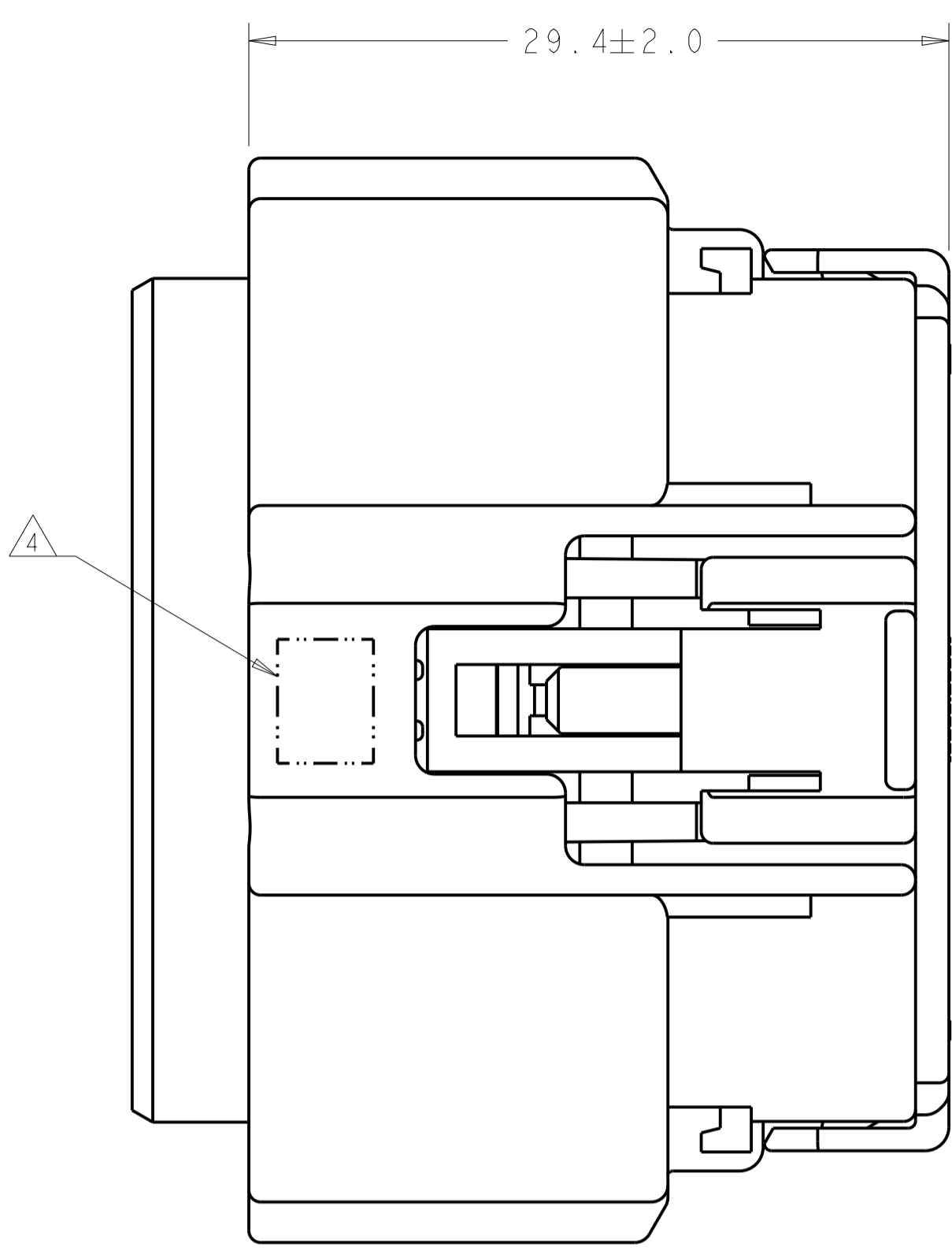
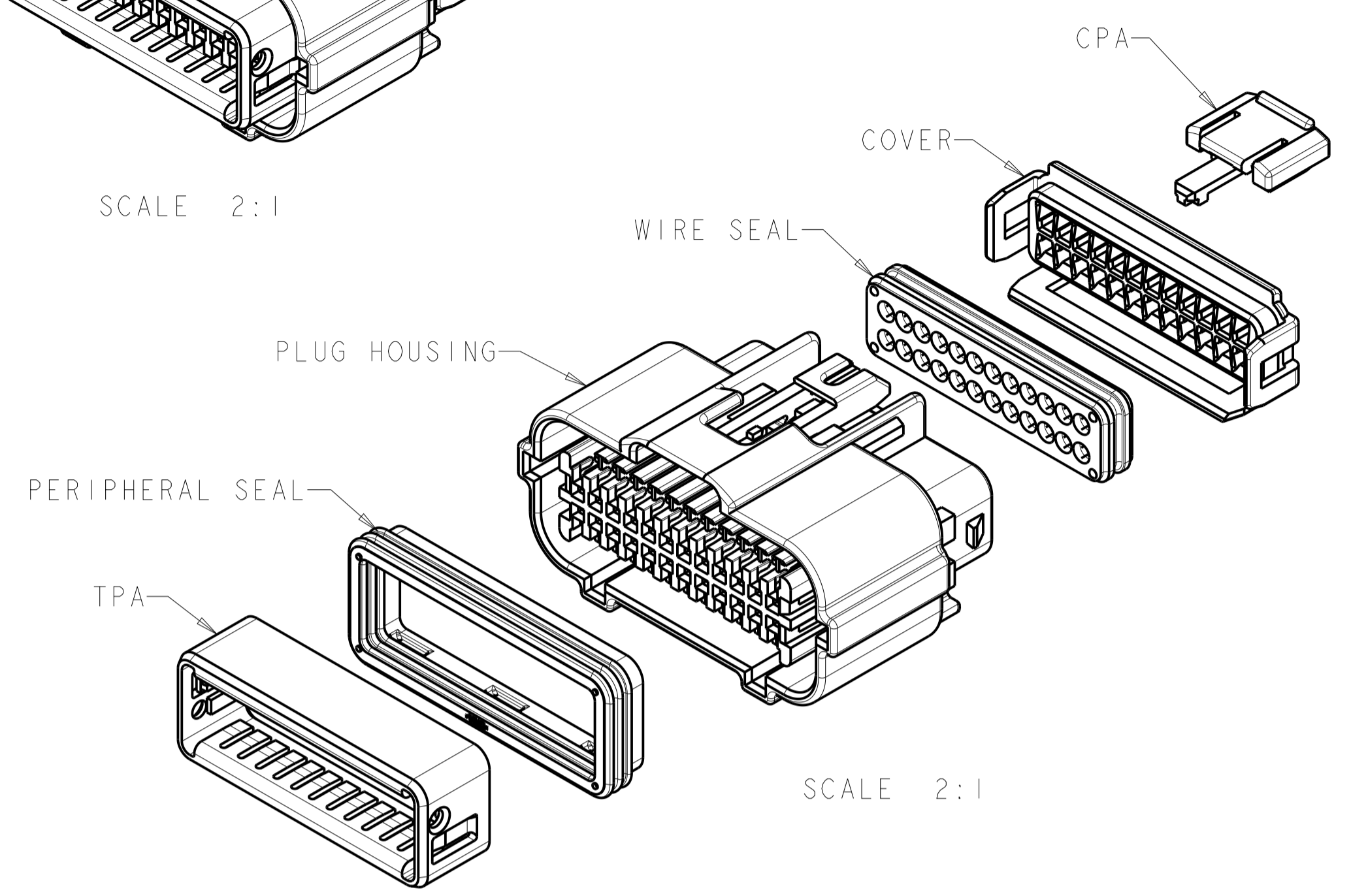


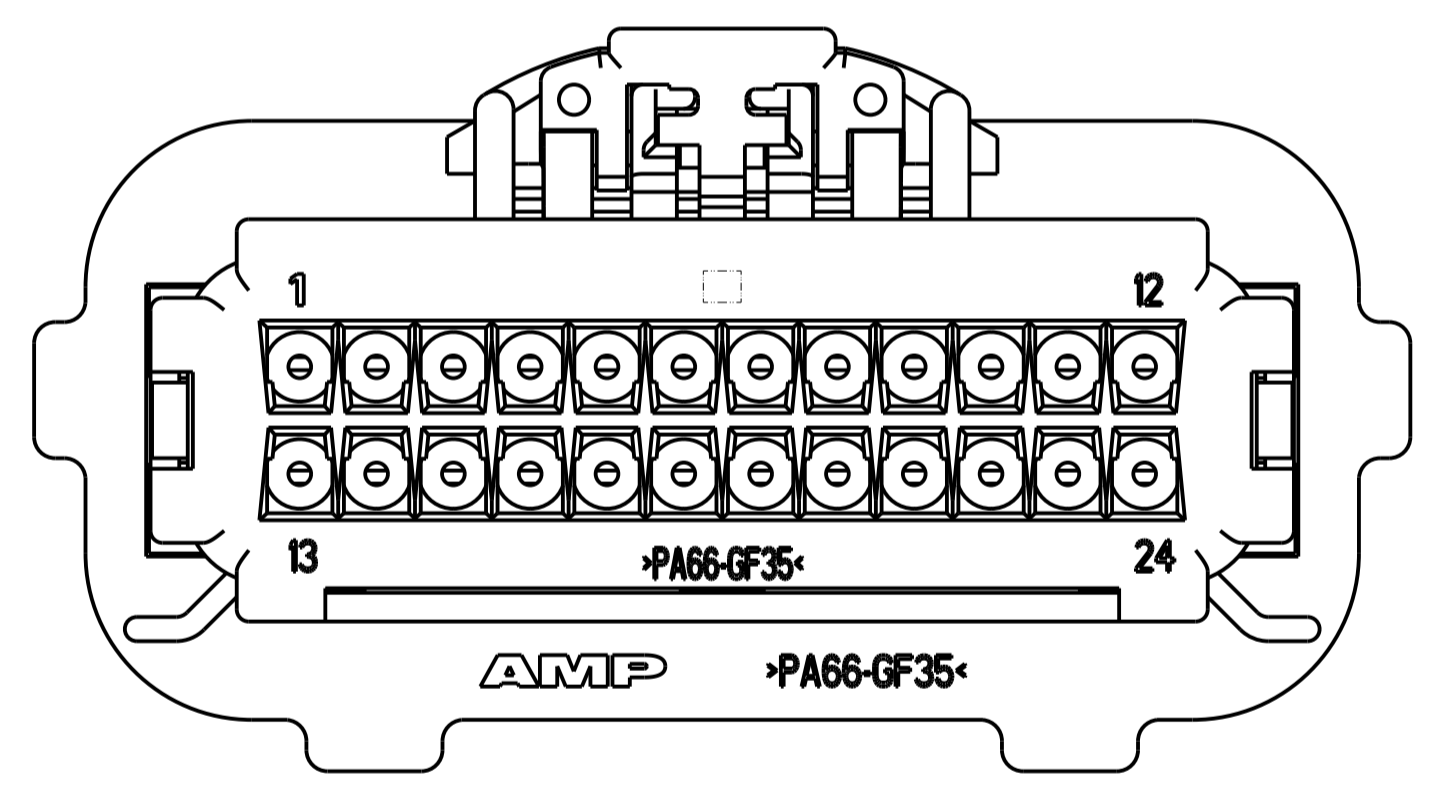
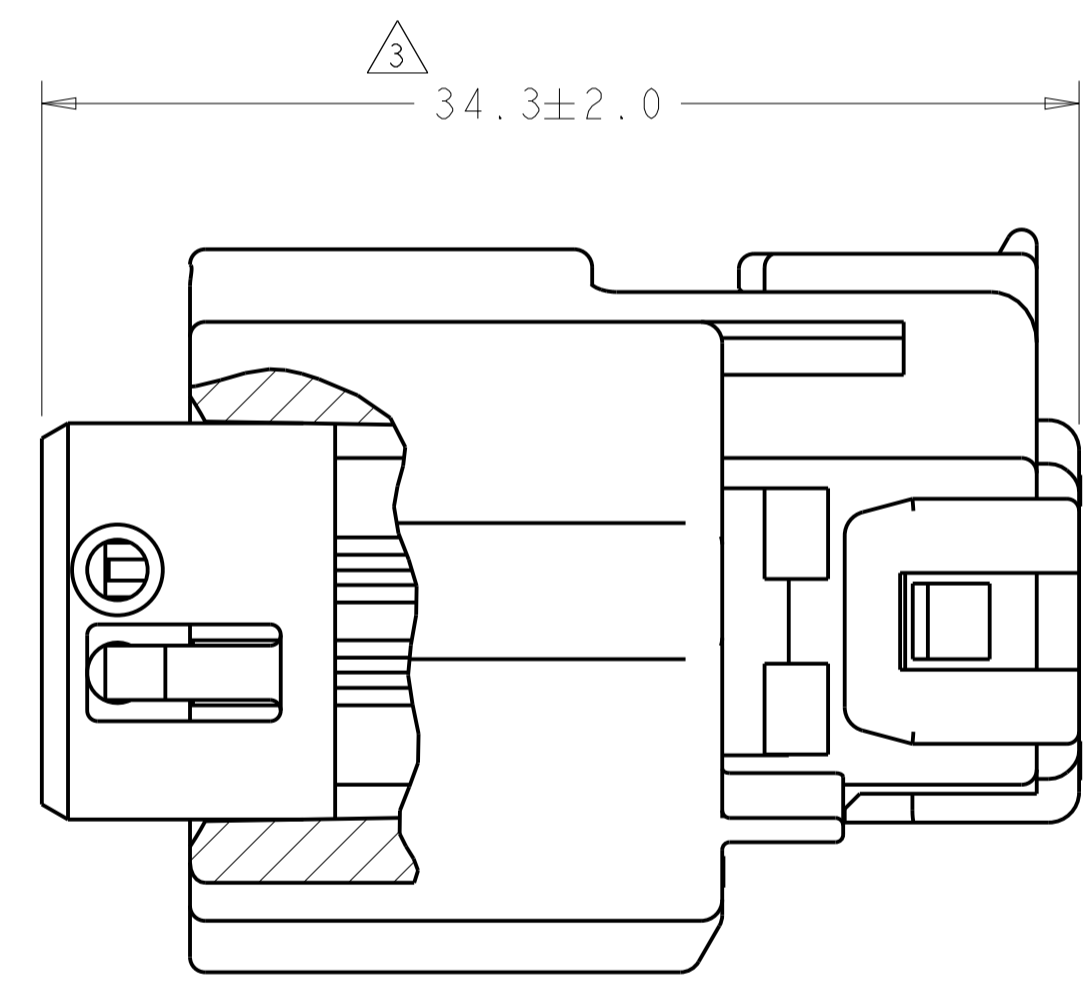
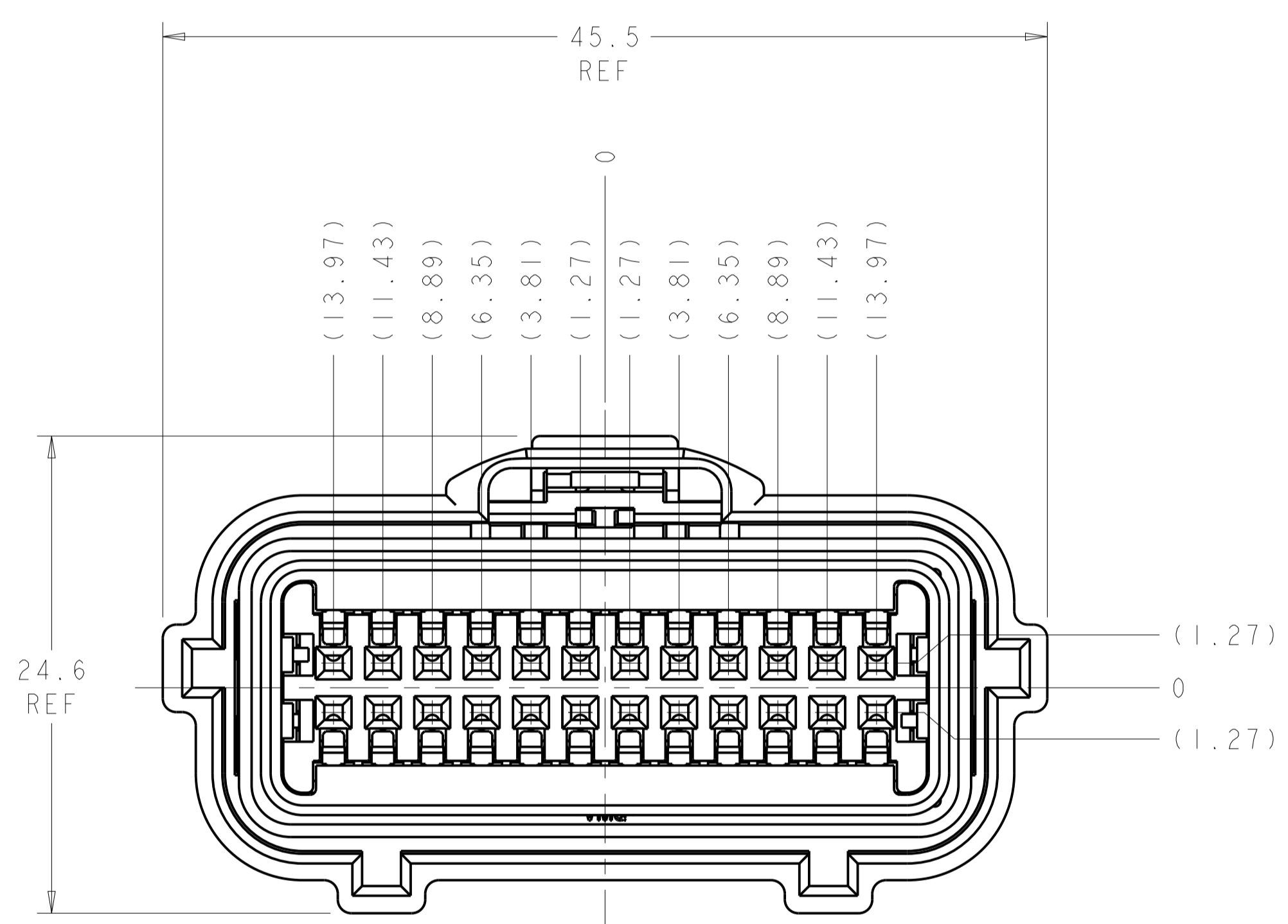
REVISIONS					
P.	LTN	DESCRIPTION	DATE	DWN	APVD
S3		REVISED PER ECR 06-027790	08DEC2006	DLD	CJS
S4		REVISED PER ECR 07-010235	16MAY2007	DLD	CJS
S5		REVISED PER ECO-20-012419	23APR2021	AP	JRV



SCALE 2:1



SCALE 2:1



PLUG HOUSING COLOR	KEYING ARRANGEMENT (SEE SHEET 2)	PART NUMBER
BLACK	"A"	4-638849-7
BLACK	"A"	4-638849-6
BLACK	"A"	4-638849-5
BLACK	"A"	4-638849-4
BLACK	"A"	4-638849-3
BLACK	"A"	4-638849-2
BLACK	"A"	4-638849-1
BLACK	"A"	4-638849-0
BLACK	"A"	3-638849-9
BLACK	"A"	3-638849-8
BLACK	"A"	3-638849-7
BLACK	"A"	3-638849-6
BLACK	"A"	3-638849-5
BLACK	"A"	3-638849-4
BLACK	"A"	3-638849-3
BLACK	"A"	3-638849-2
BLACK	"A"	3-638849-1
BLACK	"A"	3-638849-0
BLACK	"A"	2-638849-9
BLACK	"A"	2-638849-8
BLACK	"A"	2-638849-7
BLACK	"A"	2-638849-6
BLACK	"A"	2-638849-5
BLACK	"A"	2-638849-4
BLACK	"A"	2-638849-3
BLACK	"A"	2-638849-2
BLACK	"A"	2-638849-1
BLACK	"A"	2-638849-0
TBD	"F"	1-638849-2
TBD	"E"	1-638849-1
TBD	"D"	1-638849-0
TBD	"C"	638849-9
TBD	"B"	638849-8
BLACK	"A"	638849-7

- 638849-7 SHOWN.
- PLUG HOUSING: NYLON 6/6, 35% GLASS FILLED, 25% MAX REGRIND. COLOR: SEE TABLE.
COVER: NYLON 6/6, 35% GLASS FILLED, BLACK, 25% MAX REGRIND.
TPA: NYLON 6/6, 35% GLASS FILLED, RED, 25% MAX REGRIND.
PERIPHERAL SEAL AND WIRE SEAL: SILICONE RUBBER, LIGHT BLUE.
CPA: PBT, 15% GLASS FILLED, RED
- TPA SHOWN IN PRE-LATCHED POSITION.
- MARK FOUR DIGIT JULIAN DATE CODE (DDDY), LOCATED APPROXIMATELY IN AREA SHOWN.
- TERMINALS SOLD SEPARATELY, SEE AMP RECOMMENDED P/N 1326028 (GOLD) OR 638551 (TIN) FOR TERMINATION AND REELING OPTIONS.
- OBsolete PART NUMBER.

THIS DRAWING IS A CONTROLLED DOCUMENT.

DWN: J.R. SHUEY 24MAY2000
CHK: J. HUSS 28AUG2000
APVD: J. MYER 13NOV2000

SAE/USCAR-2 8/97

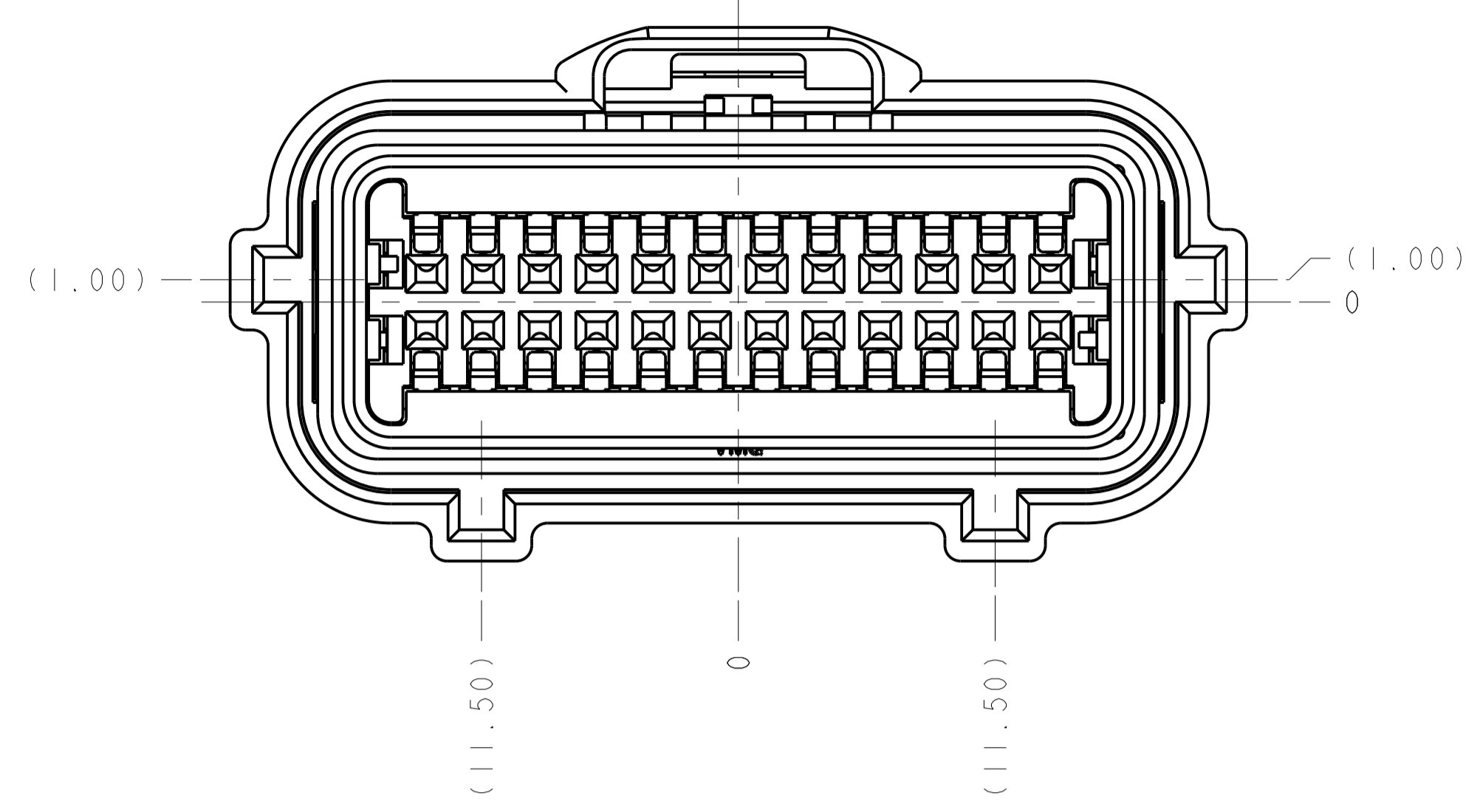
AMP 00779 638849

SCALE 4:1 SHEET 1 OF 3 REV S5

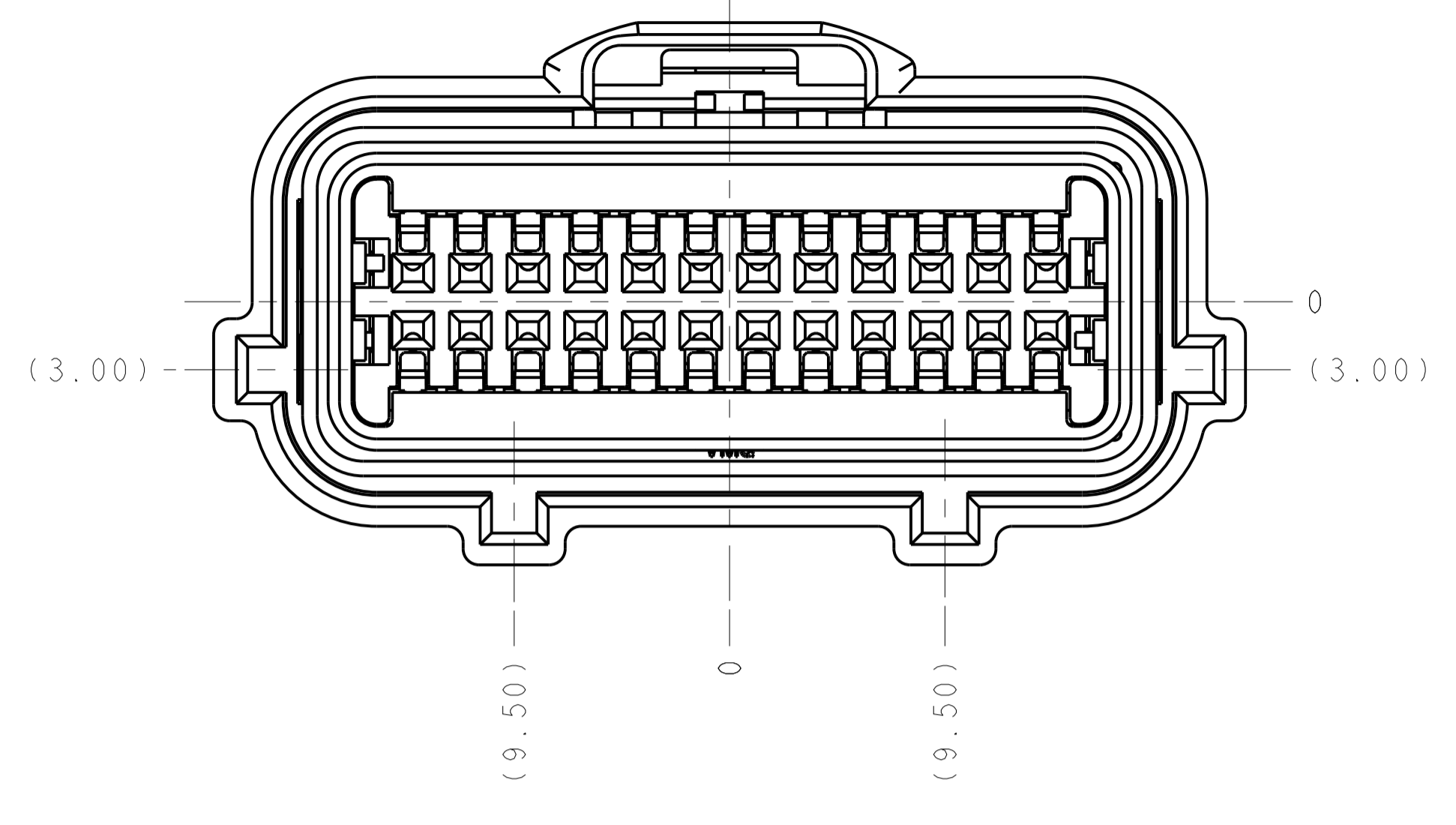
TE Connectivity

PLUG ASSEMBLY, 24 POSITION, 2x12, SEALED, 0.64mm CONNECTOR

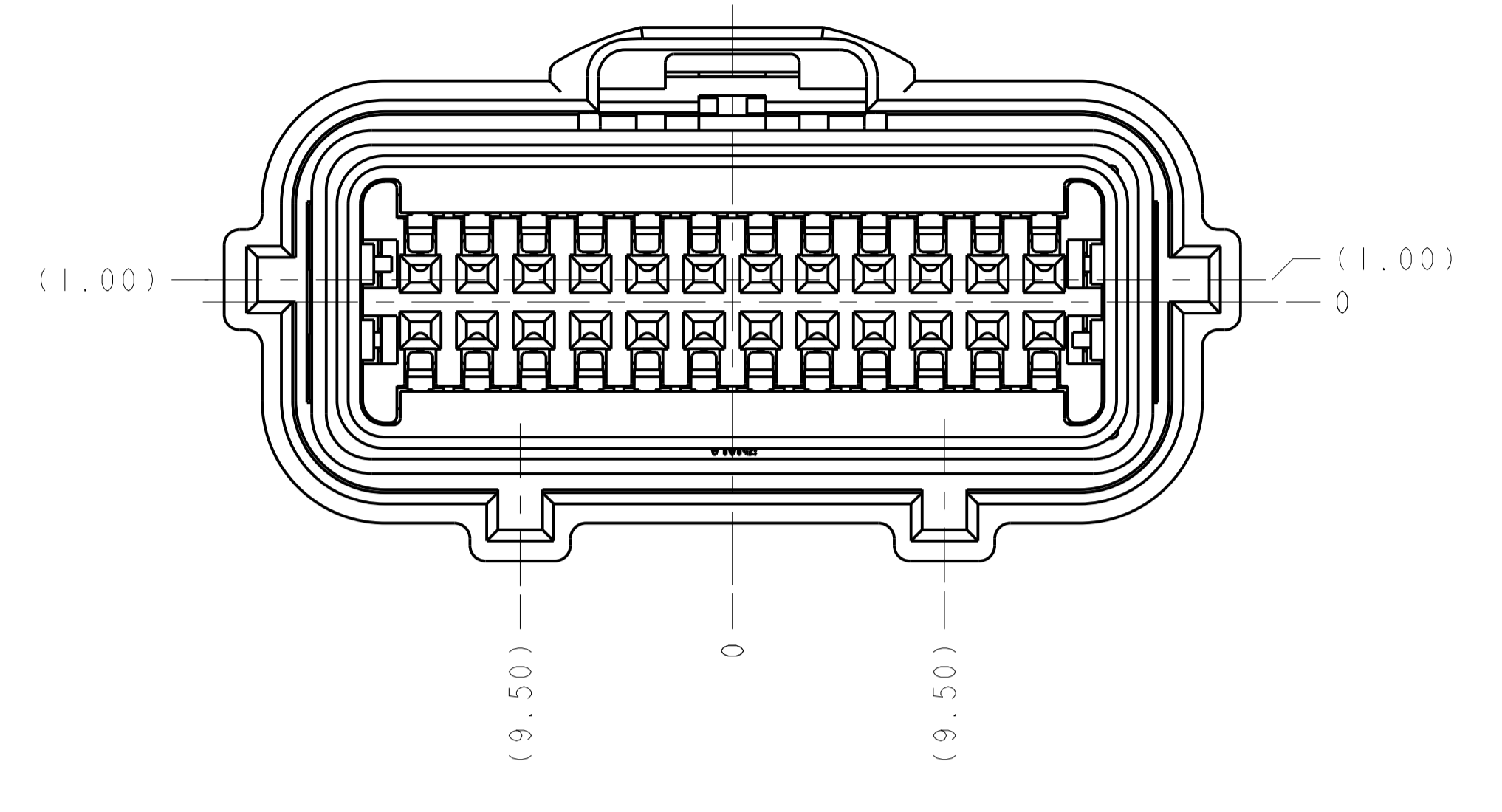
REVISIONS				
P.	LTN	DESCRIPTION	DATE	APVD
-	SEE SHEET 1			



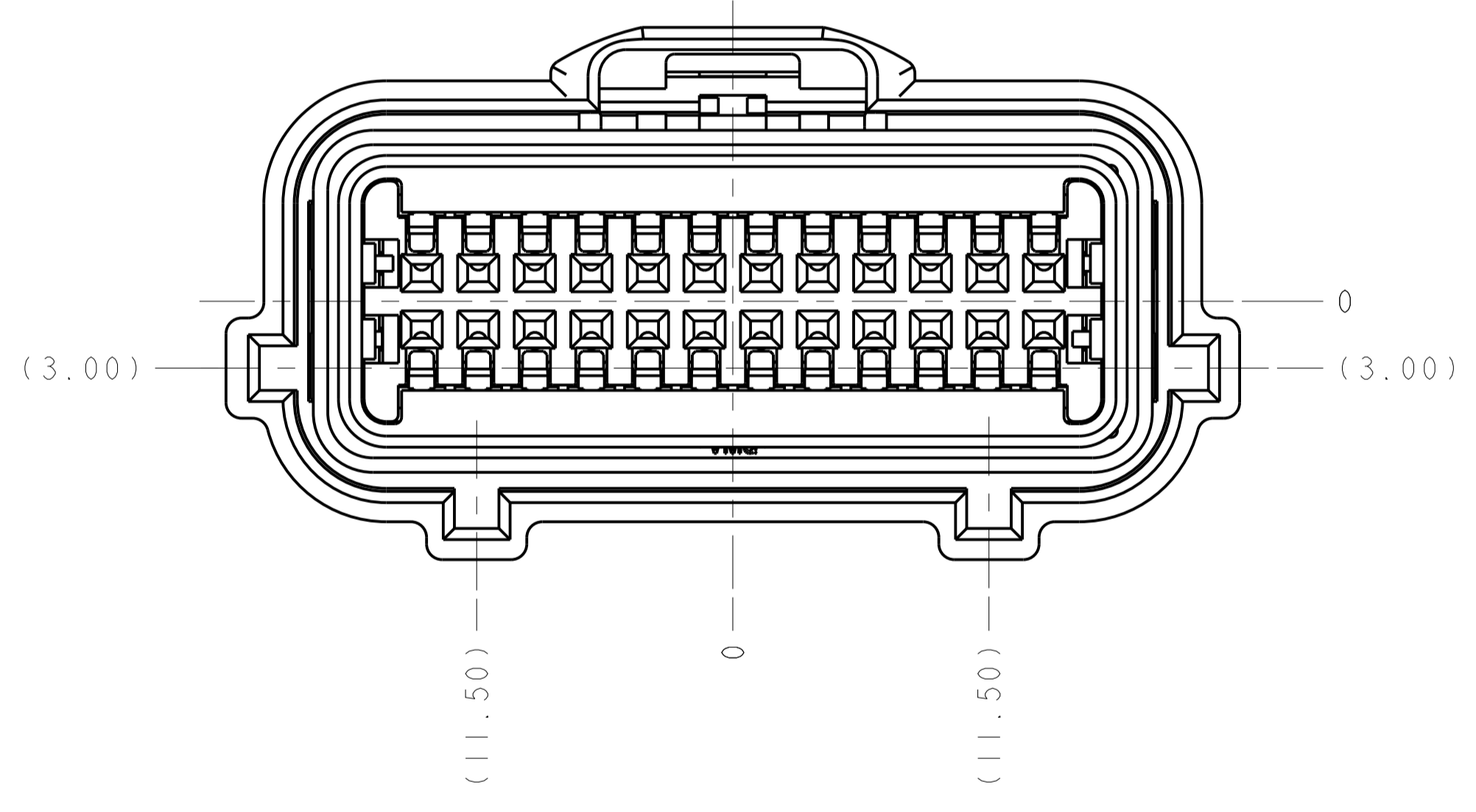
KEY CODE "A"
 (APPLIES TO -1, -7, 2--1, 2--2, 2--3, 2--4, 2--5, 2--6, 2--7, 2--8, 2--9, 3--0, 3--1, 3--2, 3--3, 3--4, 3--5, 3--6, 3--7, 3--8, 3--9, 4--0, 4--1, 4--2, 4--3, 4--4, 4--5, 4--6 AND 4--7)
 SCALE 4:1



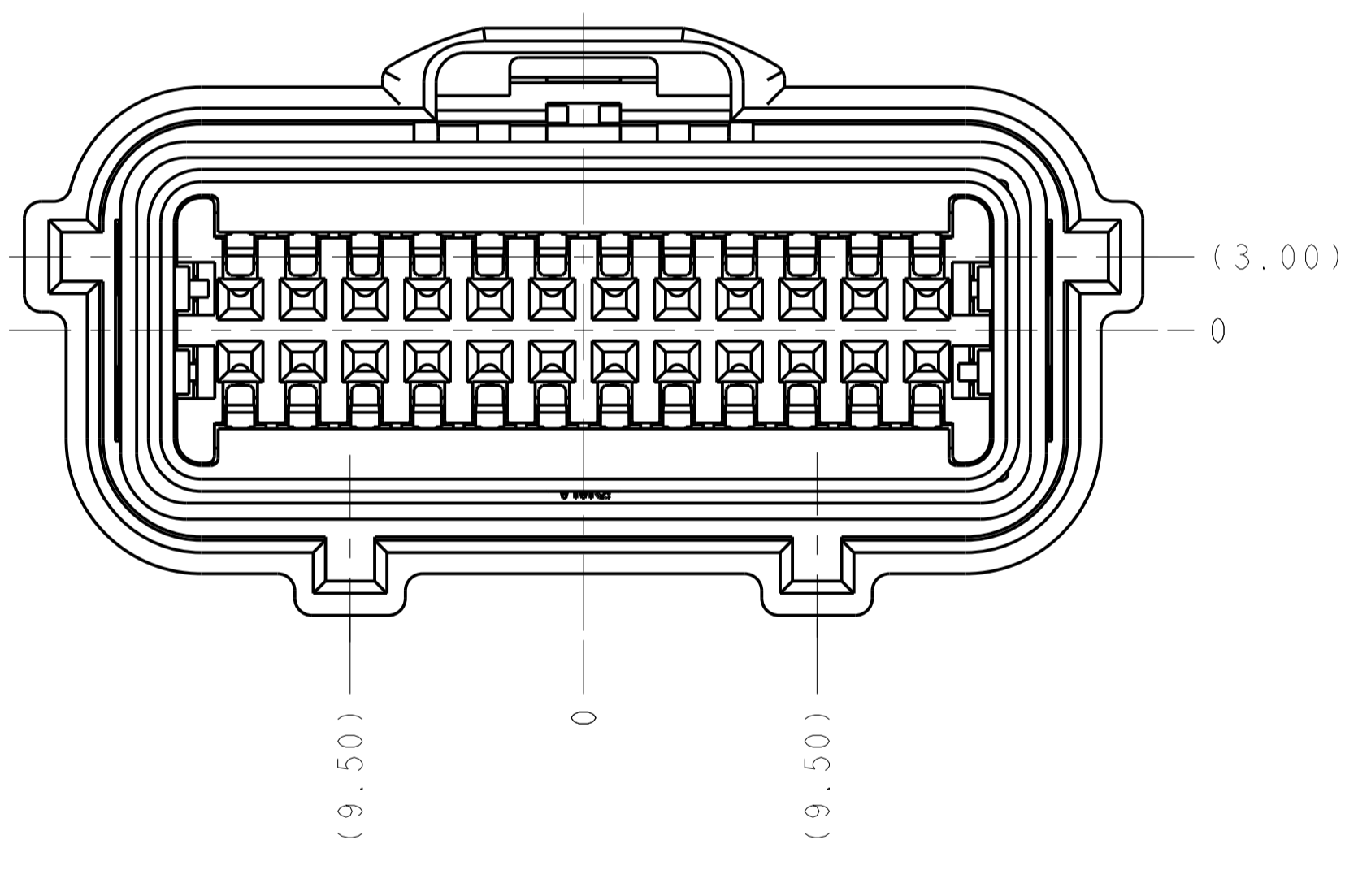
KEY CODE "B"
 (APPLIES TO -2 AND -8 ONLY)
 SCALE 4:1



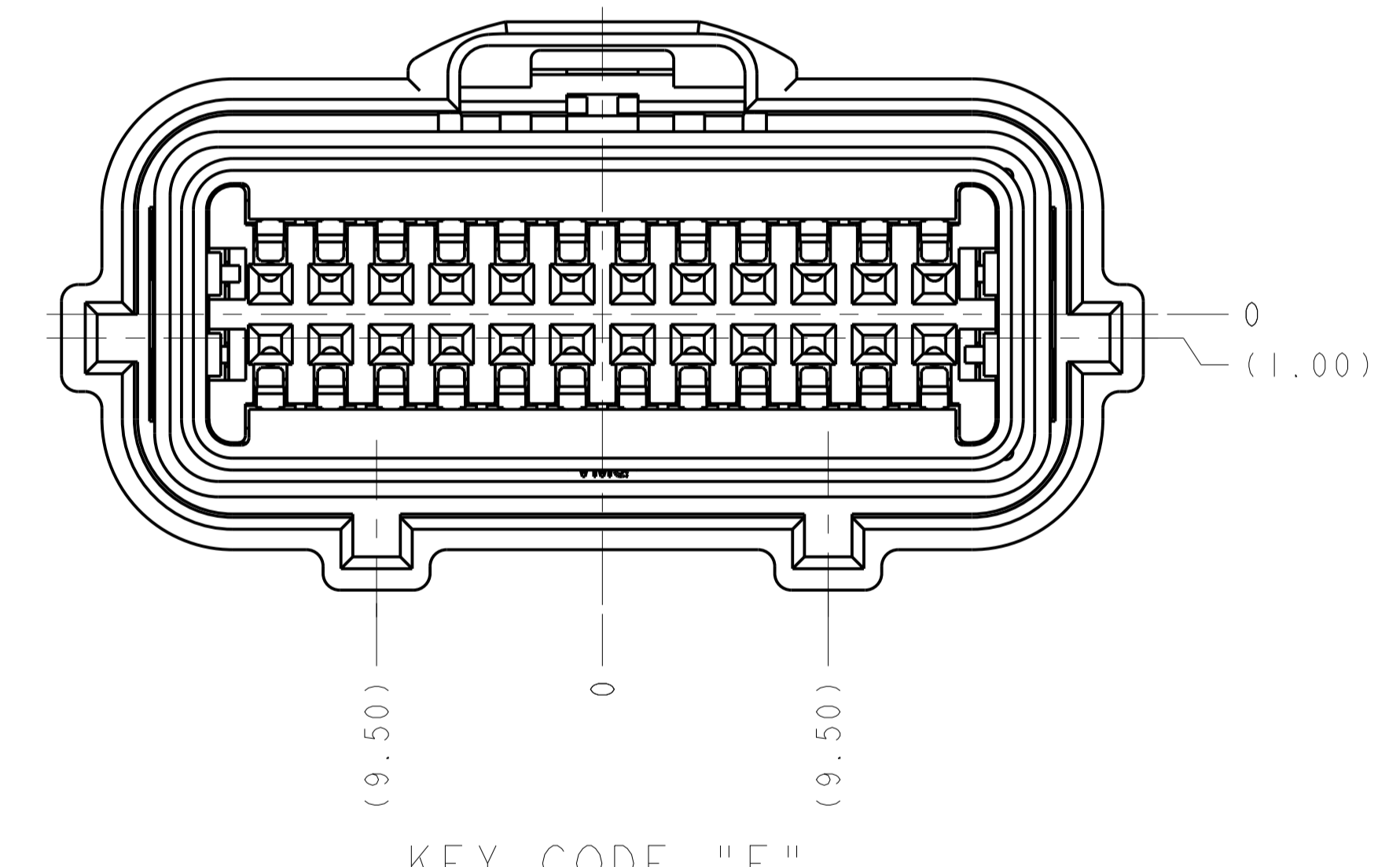
KEY CODE "C"
 (APPLIES TO -3 AND -9 ONLY)
 SCALE 4:1



KEY CODE "D"
 (APPLIES TO -4 AND 1--0 ONLY)
 SCALE 4:1



KEY CODE "E"
 (APPLIES TO -5 AND 1--1 ONLY)
 SCALE 4:1



KEY CODE "F"
 (APPLIES TO -6 AND 1--2 ONLY)
 SCALE 4:1

THIS DRAWING IS A CONTROLLED DOCUMENT.		DWN: J.R. SHUEY 24MAY2000	
		CHK: J. HUSS 28AUG2000	
DIMENSIONS:		APVD: J. MYER 13NOV2000	NAME: PLUG ASSEMBLY, 24 POSITION, 2x12, SEALED, 0.64mm CONNECTOR
TOLERANCES UNLESS OTHERWISE SPECIFIED:		PRODUCT SPEC: SAE/USCAR-2 8/97	
mm	0 PLC ±	APPLICATION SPEC:	SIZE: A
	1 PLC ±0.5		CAGE CODE: 638849
	2 PLC ±0.20		DRAWING NO: 00779
	3 PLC ±		SCALE: 4:1
	4 PLC ±		SHEET: 2 OF 3
	ANGLES ±		REV: S5
MATERIAL:	FINISH:	WEIGHT:	CUSTOMER DRAWING

REVISIONS				
REV	DATE	DESCRIPTION	BY	APPV
-	-	SEE SHEET 1	-	-

		22		20	19	18	17			14				10			7	6	5	4			1	4-638849-7	KEY "A"
	23			20	19	18	17			15	14	13	12				7							4-638849-6	KEY "A"
	23			20	19	18				15	14	13	12				7							4-638849-5	KEY "A"
				20	19		17			15	14		12				7							4-638849-4	KEY "A"
	23	22	21		19	18	17			15	14		12		10		7	6	5	4	3		1	4-638849-3	KEY "A"
	23			20	19		17			15	14	13	12				7							4-638849-2	KEY "A"
	23			20	19					15	14	13	12				7							4-638849-1	KEY "A"
	23			20	19		17			15		13	12				7							4-638849-0	KEY "A"
	23			20	19					15		13	12				7							3-638849-9	KEY "A"
	23			20	19					15	14	13	12				7				4			3-638849-8	KEY "A"
	23		21		19	18				15			12					6	5	4	3		1	3-638849-7	KEY "A"
	23	22	21	20	19	18	17	16	15	14		12	11	10			7	6	5	4	3		1	3-638849-6	KEY "A"
	23			20	19		17			15	14		12				7							3-638849-5	KEY "A"
	23									15		13	12				7							3-638849-4	KEY "A"
	23						17			15		13	12				7							3-638849-3	KEY "A"
	23						17			15	14	13	12				7							3-638849-2	KEY "A"
24				20	19		17			15			12				7				4			3-638849-1	KEY "A"
	23			20	19		17			15	14		12				7				4			3-638849-0	KEY "A"
				20	19		17			15	14		12				7				4			2-638849-9	KEY "A"
24	23			20	19		17			15	14		12				7				4			2-638849-8	KEY "A"
24	23			20	19		17				14						7				4			2-638849-7	KEY "A"
24	23			20	19		17			15			12				7				4			2-638849-6	KEY "A"
24	23			20	19		17										7				4			2-638849-5	KEY "A"
	23									15	14	13	12		10		7				4			2-638849-4	KEY "A"
	23									15	14	13	12		10		7				4			2-638849-3	KEY "A"
	23									15		13	12		10		7				4			2-638849-2	KEY "A"
	23						17			15		13	12		10		7				4			2-638849-1	KEY "A"



24 23 22 21 20 19 18 17 16 15 14 13 12 11 10 9 8 7 6 5 4 3 2 1

TERMINAL HOLE POSITION

ASSEMBLY PART NUMBER

PLUG KEYING OPTION

CAVITIES WITH A NUMERIC SYMBOL INDICATE CLOSED TERMINAL HOLE POSITIONS

BLANK CAVITIES INDICATE OPEN TERMINAL HOLE POSITIONS

THIS DRAWING IS A CONTROLLED DOCUMENT.		DWN: J.R. SHUEY 24MAY2000	
		CHK: J. HUSS 28AUG2000	
DIMENSIONS: mm		APVD: J. MYER 13NOV2000	NAME: PLUG ASSEMBLY, 24 POSITION, 2x12, SEALED, 0.64mm CONNECTOR
		PRODUCT SPEC: SAE/USCAR-2 8/97	RESTRICTED TO:
TOLERANCES UNLESS OTHERWISE SPECIFIED:		APPLICATION SPEC:	SIZE: A 00779 C=638849
0 PLC ±.5 1 PLC ±.5 2 PLC ±0.20 3 PLC ±.5 4 PLC ±.5 ANGLES ±.5		WEIGHT:	SCALE: 4:1
MATERIAL:		FINISH:	SHEET 3 OF 3
		CUSTOMER DRAWING	REV: S5