

ABSOLUTE MAXIMUM RATINGS AT 25°C AMBIENT		UNITS
OPERATING TEMPERATURE	-20 TO +80	°C
STORAGE TEMPERATURE	-55 TO +105	°C
FORWARD CURRENT	20	mA
PEAK FORWARD CURRENT (1/10 DUTY CYL, 0.1ms PULSE WIDTH)	100	mA
REVERSE VOLTAGE	5	V
POWER DISSIPATION	70	mW
DERATE LINEARLY FROM 25°C	0.25	mA/°C
WAVE SOLDERING CONDITION	260 FOR 5 SEC	°C

OPERATING CHARACTERISTICS AT 25°C AMBIENT						
CHARACTERISTICS	MIN	TYP	MAX	UNITS	TEST CONDITIONS	
LUMINOUS INTENSITY	112.0	—	240.0	mcd	I _F = 10 mA	
FORWARD VOLTAGE	2.80	—	3.40	V	I _F = 10 mA	
REVERSE CURRENT	—	—	10	μA	V _R = 5 V	
VIEWING ANGLE	130			Degree		
CHROMATICITY COORDINATES	x	0.31			I _F = 10 mA	
	y	0.32				

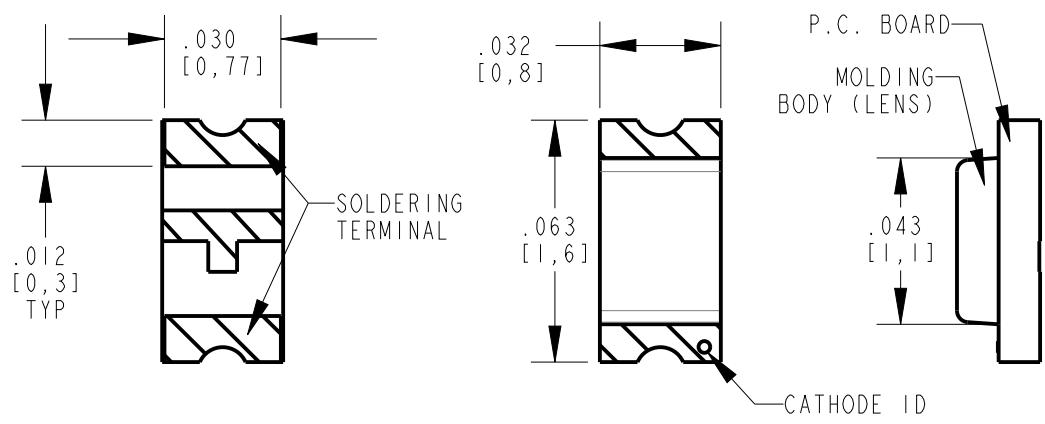
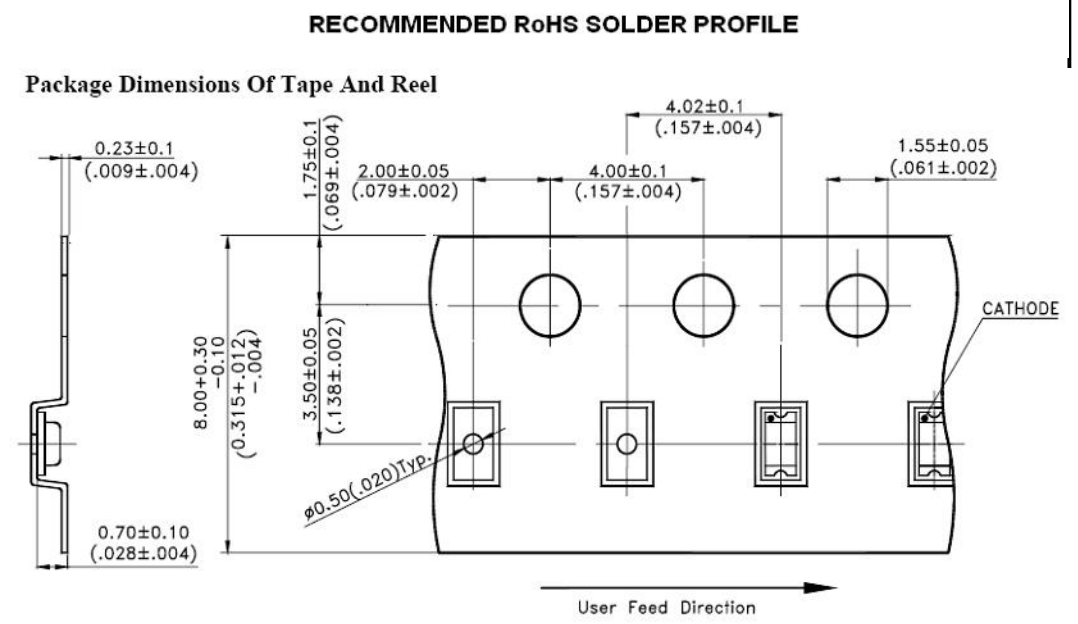
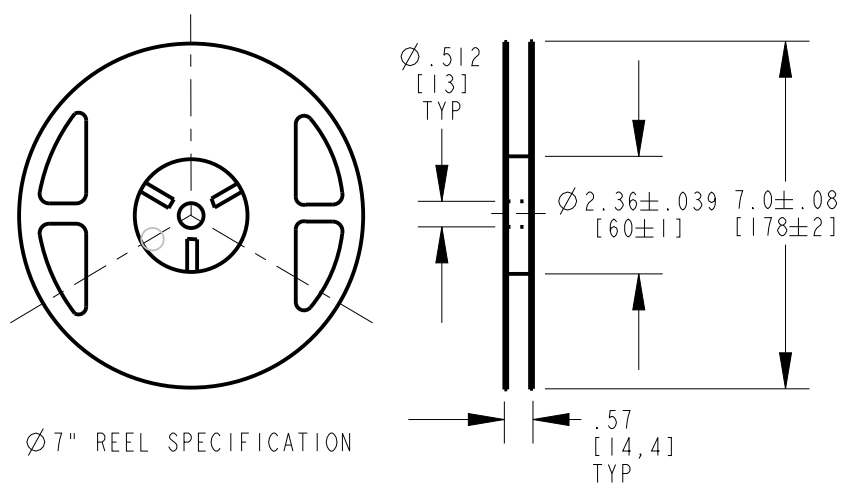
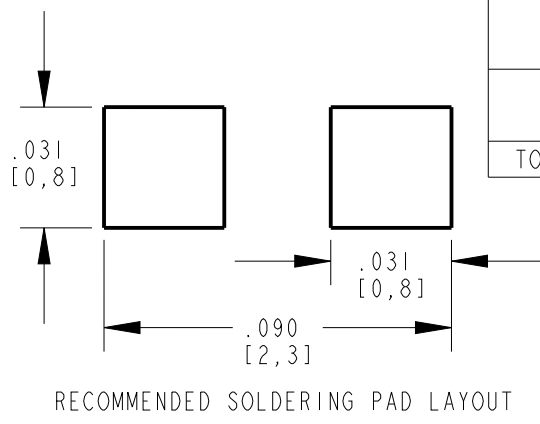
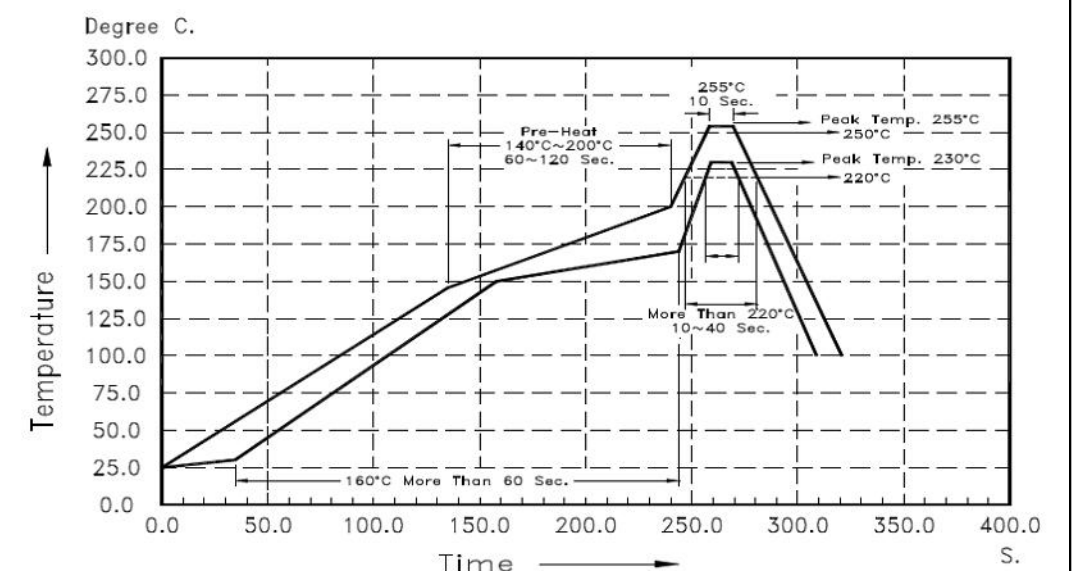
REV	ECN NO	REVISIONS	DRN	CKD	APP	DATE
A	—	NEW RELEASE	KLJ	NO	—	1-17-08
B	—	UPDATED NOTE 4, PACKAGING WAS 3000 PCS/REEL	BP	—	NO	3-22-18

HUE SPECIFICATION TABLE						
HUE BIN	COLOR BIN LIMITS @ I _F =10mA					
	CIE 1931 CHROMATICITY COORDINATES					
A0	x	0.280	0.296	0.283	0.264	
	y	0.248	0.276	0.305	0.267	
B3	x	0.287	0.307	0.304	0.283	
	y	0.295	0.315	0.330	0.305	
B4	x	0.307	0.330	0.330	0.304	
	y	0.315	0.339	0.360	0.330	
B5	x	0.296	0.311	0.307	0.287	
	y	0.276	0.294	0.315	0.295	
B6	x	0.311	0.330	0.330	0.307	
	y	0.294	0.318	0.339	0.315	
C0	x	0.330	0.356	0.361	0.330	
	y	0.318	0.351	0.385	0.360	

TOLERANCE ON EACH HUE (x,y) BIN IS ±0.01

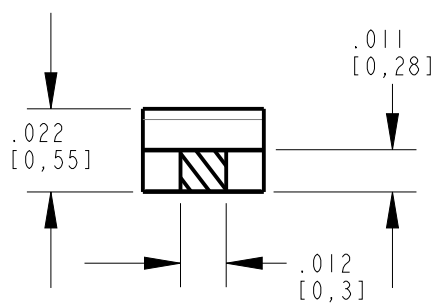
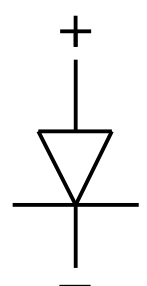
LUMINOUS INTENSITY SPECIFICATION TABLE		
IV BIN	LUMINOUS INTENSITY (mcd) @ I _F =10mA	
	MIN	MAX
R1	112	146
R2	146	180
S1	180	240

TOLERANCE ON EACH LUMINOUS INTENSITY BIN IS ±15%



- NOTES:
- LENS COLOR: YELLOW
 - LED CHIP: InGaN WHITE
 - LEADS ARE GOLD (Au) PLATED FINISH.
 - 830F SUFFIX MEANS PARTS ARE PACKED ON A 7 INCH REEL, 5000 PCS/REEL.
-831F SUFFIX MEANS PARTS ARE PACKED ON A 20 PCS SAMPLE STRIP.
 - DIALIGHT PART NUMBER: 597-3901-830F, 597-3901-831F
 - THIS ASSEMBLY CONTAINS ELECTROSTATIC DISCHARGE SENSITIVE DEVICES (ESDS). MAINTAIN ALL PRECAUTIONARY MEASURES DURING ASSEMBLY, HANDLING, AND STORAGE IN ACCORDANCE WITH IPC-A-610.
 - MOISTURE SENSITIVITY LEVEL 3.
 - TAPE AND REEL LEDs MAY REQUIRE RE-TAPING AFTER TWELVE MONTHS.

POLARITY



RoHS Compliant 597-3901-830F, -831F

Part Numbers with the "F" suffix ending are RoHS Compliant. Reel and bag packaging are marked with "RoHS Compliant" label or equivalent markings. These parts can be used with RoHS reflow profile. Parts can be wave soldered, dip soldered or hand soldered using typical lead-free soldering process with max 260°C temp. for 5 sec.



ATTENTION:
OBSERVE PRECAUTIONS FOR
HANDLING ELECTROSTATIC
SENSITIVE DEVICES

THIS DRAWING AND THE CONTENTS HEREIN ARE CONFIDENTIAL AND THE SOLE PROPERTY OF DIALIGHT CORP. REPRODUCTION OF THIS DRAWING OR CONSTRUCTION OF ANY PARTS WITHIN THIS DRAWING ARE FORBIDDEN WITHOUT THE WRITTEN CONSENT OF DIALIGHT CORP.		
SCALE: 20:000	DRAWING NUMBER	REV
ALL DIM'S: INCH (mm)	C-17584	B
TOLERANCES: UNLESS OTHERWISE SPECIFIED	TITLE 1.6mm x 0.8mm x 0.55mm SMT WHITE LED; RoHS COMPLIANT	
FRACTIONS: ±1/64	MATERIAL	
DECIMALS (.XX): ±.01	FINISH	
DECIMALS (.XXX): ±.004	FSCM 83330	
DECIMALS (.XXXX): ±.0005	SHEET 1 OF 1 FAMILY TABLE:	
ANGLES: ±1°	Dialight 1501 ROUTE 34 SOUTH FARMINGDALE, NJ 07727 (732) 919-3119 www.dialight.com	