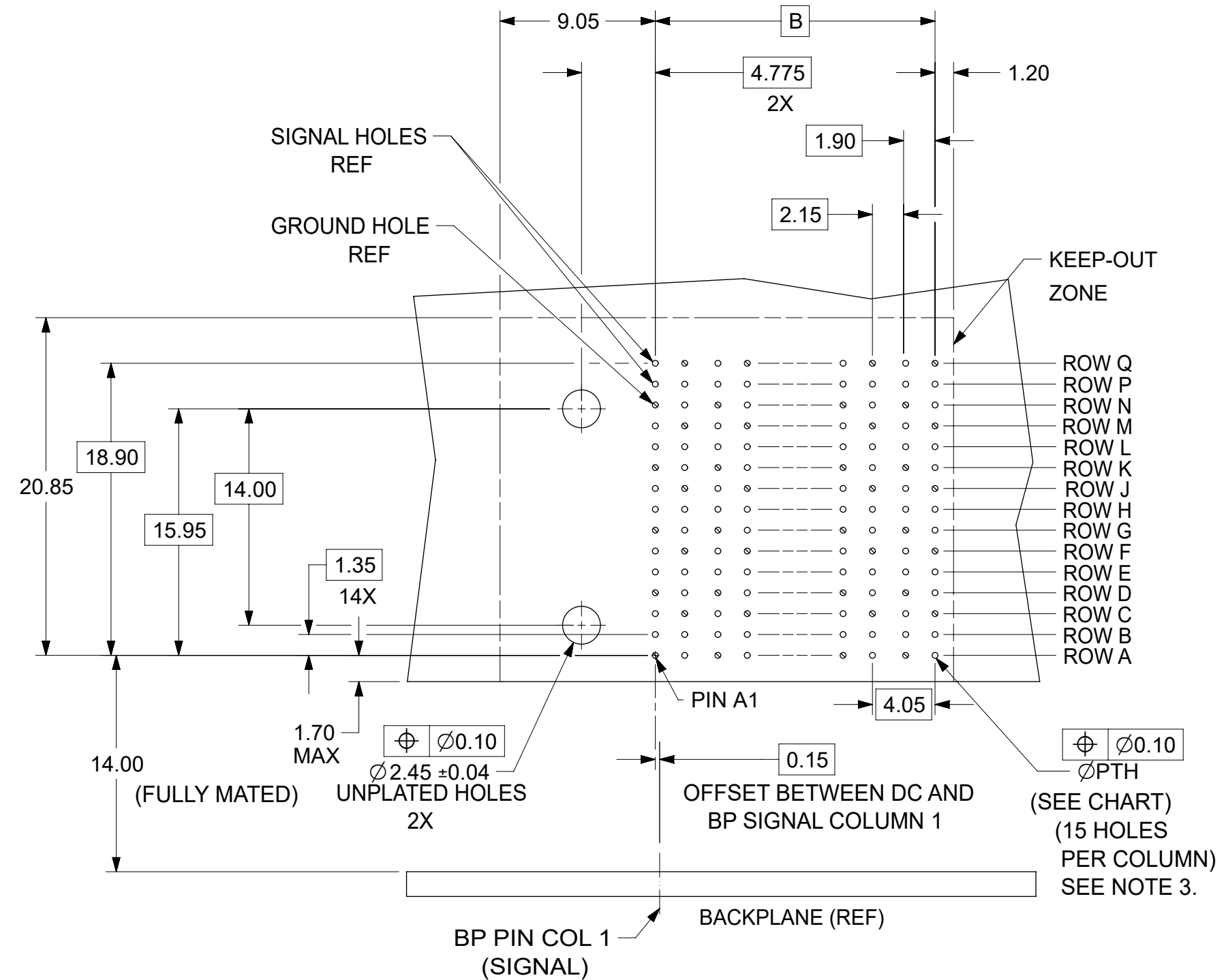
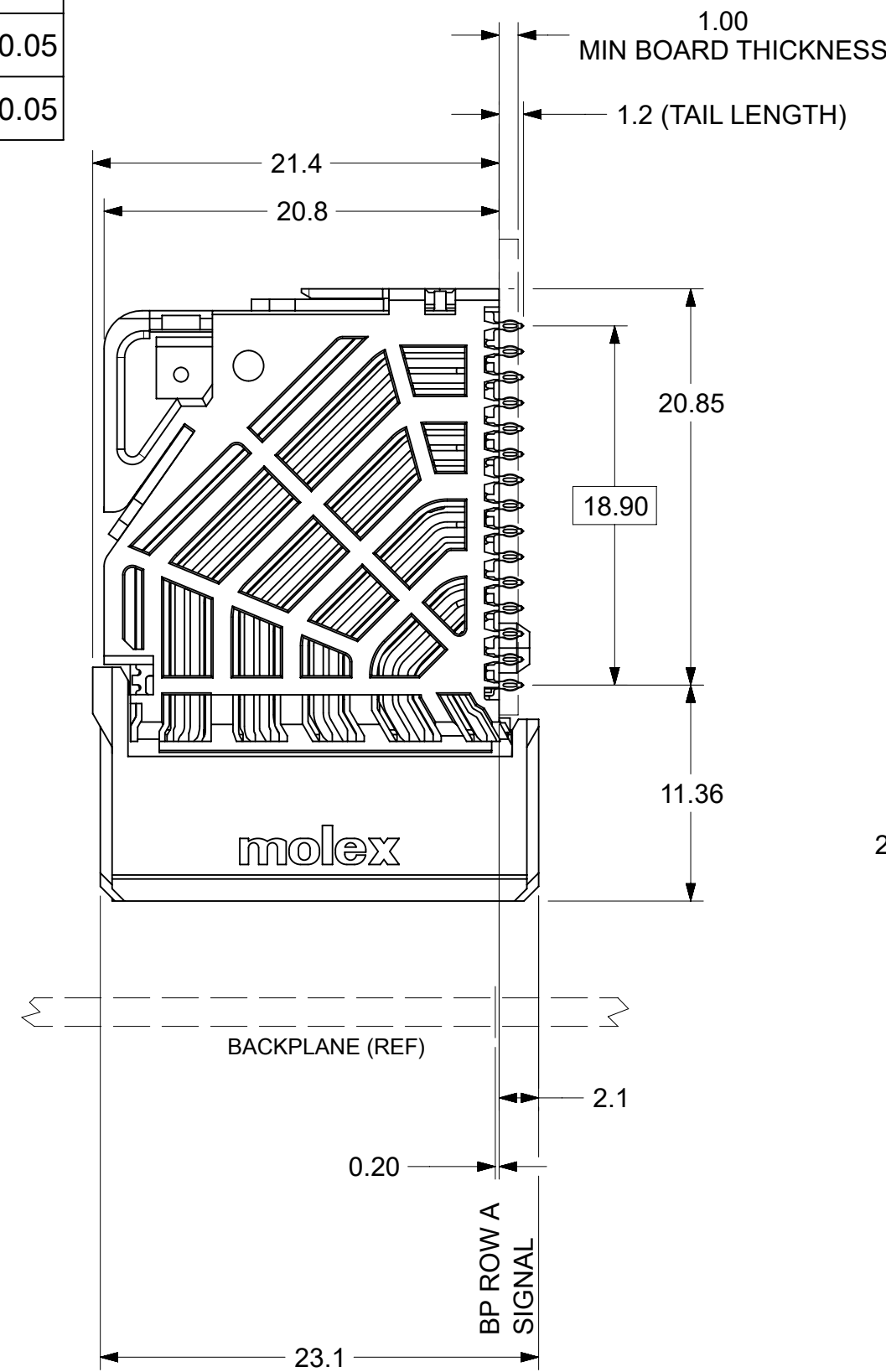
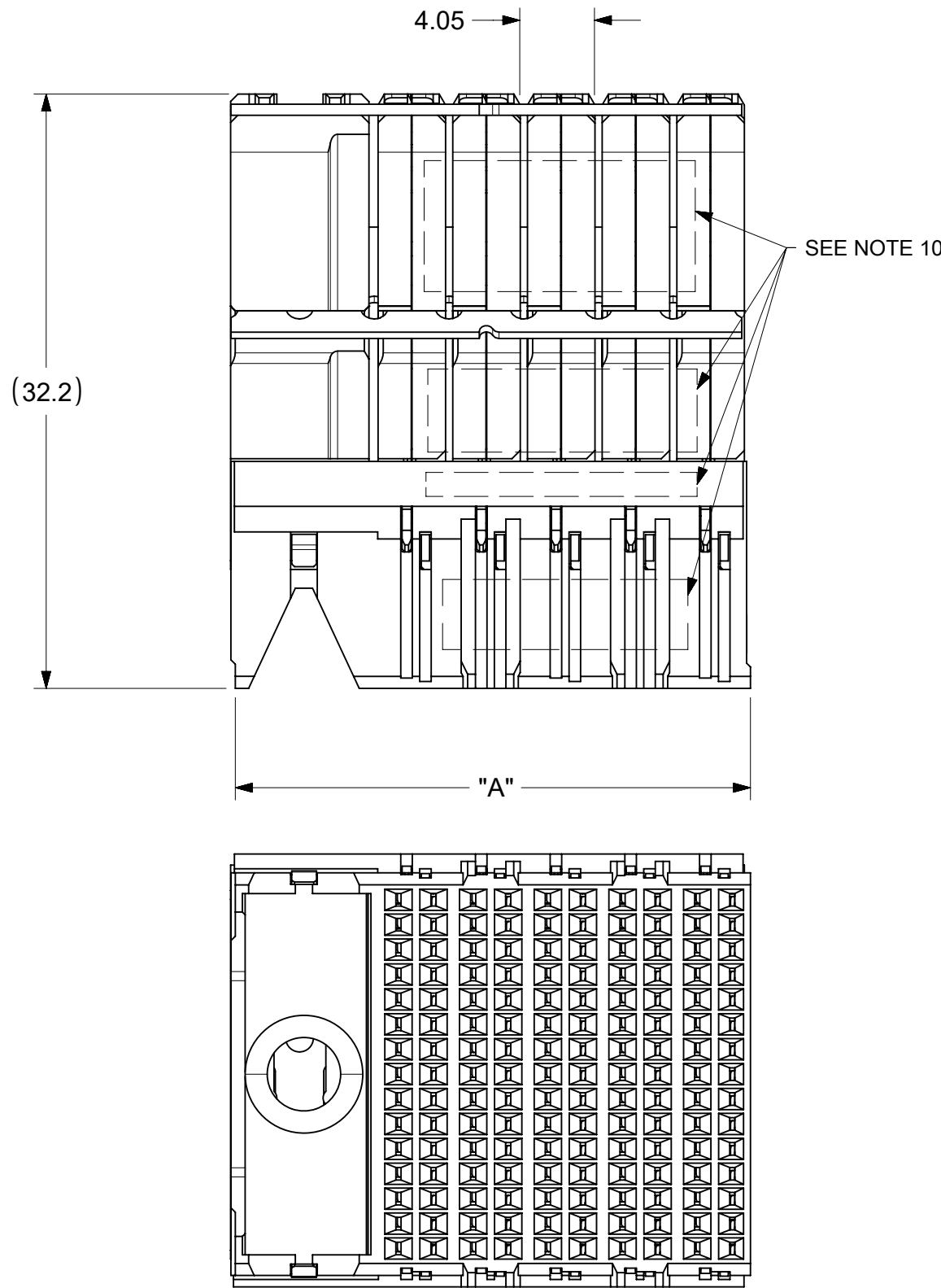
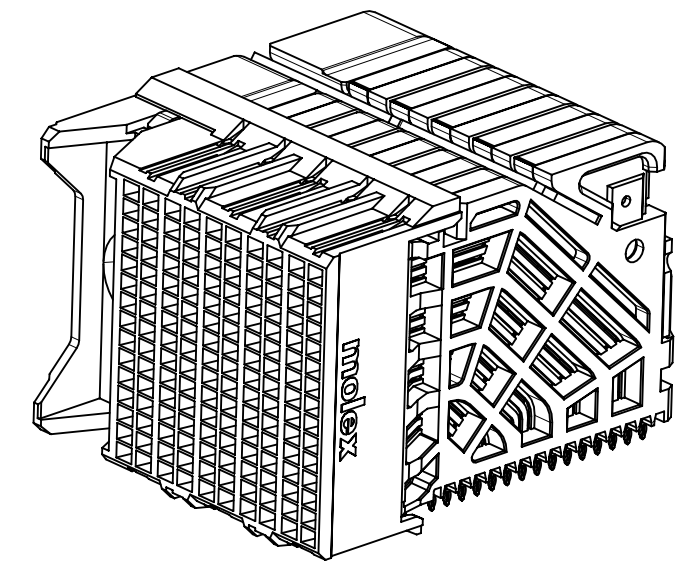


MATERIAL NUMBER	# OF COLUMNS	# OF DIFF PAIR	DIM "A" MAX	DIM "B"	PTH $\phi$
76990-3008	8	40	24.30	14.05	0.46 $\pm$ 0.05
76990-3038	8	40	24.30	14.05	0.39 $\pm$ 0.05
76990-3010	10	50	28.35	18.10	0.46 $\pm$ 0.05
76990-3020	10	50	28.35	18.10	0.39 $\pm$ 0.05
76990-3012	12	60	32.40	22.15	0.46 $\pm$ 0.05
76990-3022	12	60	32.40	22.15	0.39 $\pm$ 0.05

# 76990-\*0\*\*

MODULE & TAIL PLATING TYPE  
3 = LEFT GUIDED, TIN

# OF COLUMNS  
08 = 8 COL 0.46 PTH  
38 = 8 COL 0.39 PTH  
10 = 10 COL 0.46 PTH  
20 = 10 COL 0.39 PTH  
12 = 12 COL 0.46 PTH  
22 = 12 COL 0.39 PTH



## DAUGHTERCARD HOLE PATTERN (CONNECTOR SIDE)

- NOTES:
- MATERIALS: HOUSING - LIQUID CRYSTAL POLYMER (LCP), GLASS-FILLED, UL94V-0  
TERMINALS - HIGH PERFORMANCE COPPER ALLOY
  - FINISH: 30uIN MIN GOLD IN CONTACT AREA. SELECTIVE TIN ON PCB TAILS. NICKEL OVERALL.
  - REFER TO MOLEX PRODUCT SPEC PS-76060-999 FOR PERFORMANCE SPECIFICATIONS AND ADDITIONAL PCB INFORMATION.
  - EACH SIGNAL WAFER CONTAINS 2 COLUMNS OF TERMINALS.
  - PRODUCT IS PACKAGED PER PK-70873-611.
  - THIS PART CONFORMS TO CLASS B REQUIREMENTS OF COSMETIC SPEC PS-45499-002.
  - REFER TO MOLEX SALES DRAWING SD-76985-002 FOR THE MATING HEADERS.
  - WHEN USING MOLEX SUPPLIED #2-32 SCREW 73726-0000 (9.50mm  $\pm$  0.38 THREADABLE SCREW LENGTH), THE MAXIMUM BOARD THICKNESS IS 4.4mm.
  - REFER TO MOLEX ROUTING GUIDE AS-76850-990 FOR ADDITIONAL PCB LAYOUT AND ROUTING RECOMMENDATIONS.
  - MARKING: LOCATED APPROXIMATELY AS SHOWN. PART NUMBER AND DATE CODE.

THIS DRAWING CONTAINS INFORMATION THAT IS PROPRIETARY TO MOLEX ELECTRONIC TECHNOLOGIES, LLC AND SHOULD NOT BE USED WITHOUT WRITTEN PERMISSION											
DIMENSION UNITS		SCALE		CURRENT REV DESC: REMASTERED TO NX							
mm		NTS									
GENERAL TOLERANCES (UNLESS SPECIFIED)				EC NO: 705090 DRWN: DYARAS 2021/12/02 CHK'D: YOGEEB 2022/02/17 APPR: LZENG 2022/05/13							
ANGULAR TOL $\pm$ 0.5°				INITIAL REVISION: DRWN: JLAURX 2010/01/11 APPR: JBINGHAM 2010/01/14							
4 PLACES $\pm$				PRODUCT CUSTOMER DRAWING		DOCUMENT NUMBER		DOC TYPE		DOC PART	
3 PLACES $\pm$				SD-76990-002		PSD		001		D3	
2 PLACES $\pm$ 0.15				MATERIAL NUMBER		CUSTOMER		SHEET NUMBER			
1 PLACE $\pm$ 0.25				SEE TABLE		GENERAL MARKET		1 OF 1			
0 PLACES $\pm$				DRAWING		SERIES		C-SIZE		76990	
DRAFT WHERE APPLICABLE MUST REMAIN WITHIN DIMENSIONS				THIRD ANGLE PROJECTION		DRAWING		SERIES		76990	