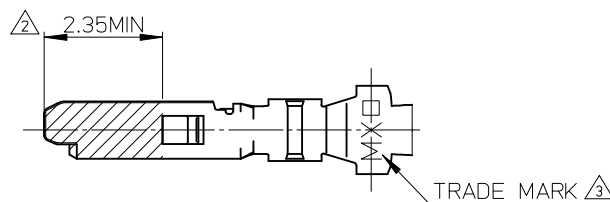
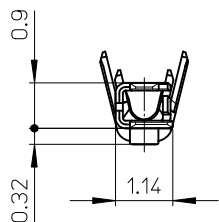
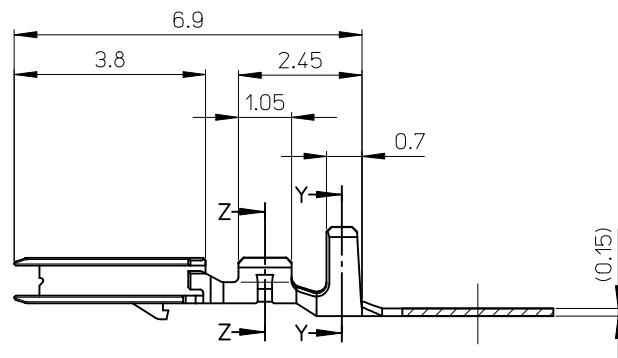


SECTION Y-Y
(SCALE 20-1)

SECTION Z-Z
(SCALE 20-1)



NOTES

- 適合ハウジング: 502578-****, 503149-****
APPLICABLE HOUSING: 502578-****, 503149-****
- 図示の斜線部の範囲は、接点部のため、傷、打痕、汚れなどを付けないようにして下さい。
PLEASE DON'T DAMAGE, DON'T DENT, AND DON'T MAKE IT DIRTY. BECAUSE THE RANGE IN THE SHADED PORTION SHOWN IN FIGURE IS THE CONTACT AREA.
- トレードマーク: MX プラス1文字の製造工場を示すアルファベットにて表示。但し「J」は JAPAN を示す。(例 MXJ)
FORMED BY MX AND 1 MORE LETTER OF ALPHABET WHICH MEAN THE MANUFACTORY. BUT "J" MEANS JAPAN. (TO TRADE MARK) (e.g. MXJ)
- ELV 及び RoHS 適合品
ELV AND RoHS COMPLIANT

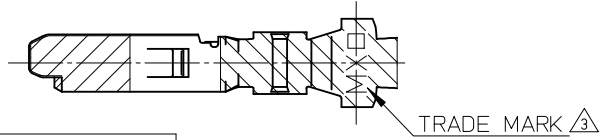
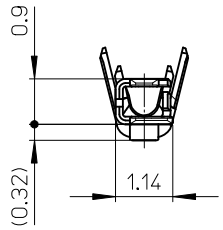
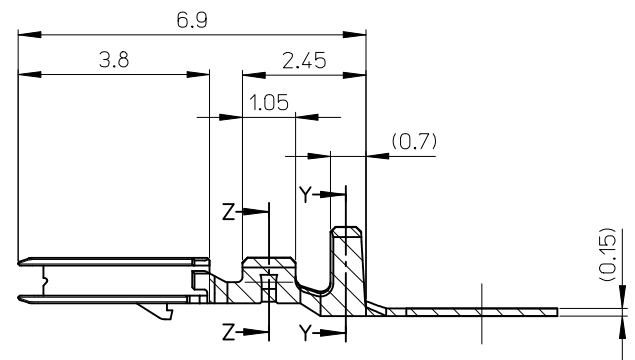
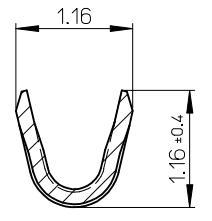
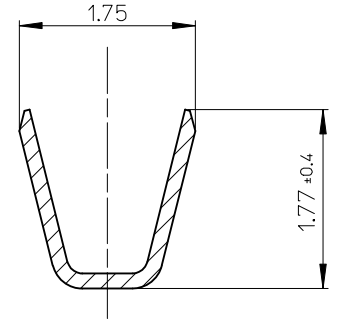
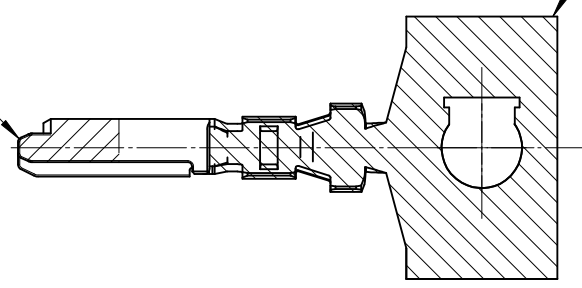
φ0.7-1.02mm	AWG#26-30	503429-0000	連鎖状 CHAIN
絶縁被覆外径範囲 INS. RANGE	適用電線範囲 WIRE RANGE	製品番号 MATERIAL NO.	端子形状 FORM

部品 PART	材質 MATERIAL
ターミナル TERMINAL	銅合金 COPPER ALLOY
	錫めっき: 0.4 micro-meter MIN. リフロー処理(前めっき) REFLOW TREATMENT (PRE-PLATED)
	ニッケルめっき(下地): 0.1 micro-meter MIN. リフロー処理(前めっき) NICKEL (UNDER PLATING) REFLOW TREATMENT (PRE-PLATED)

REVISED EC NO: J2009-2054 2009/03/09 DRWN: YGOTO 2009/03/10 CHKD: KASAKAWA 2009/03/10 APPR: SICHIKAWA 2009/03/10	DESCRIPTION REV A	GENERAL TOLERANCES (UNLESS SPECIFIED)		DIMENSION STYLE MM ONLY		SCALE 10:1		DESIGN UNITS METRIC		THIRD ANGLE PROJECTION		
		10 UNDER	±0.2	DRAWN BY YGOTO	DATE 2009/2/20	TITLE 1.5W/B CONN PLUG TERMINAL						
		10 OVER 30 UNDER	±0.25	CHECKED BY KASAKAWA	DATE 2009/2/20	MOLEX INCORPORATED						
		30 OVER	±0.3	APPROVED BY SICHIKAWA	DATE 2009/2/20	ENTER PART		SD-503429-001		SHEET NO. 1 OF 1		
		ANGULAR ±3 °		MATERIAL NO.		DOCUMENT NO.		THIS DRAWING CONTAINS INFORMATION THAT IS PROPRIETARY TO MOLEX INCORPORATED AND SHOULD NOT BE USED WITHOUT WRITTEN PERMISSION				
		DRAFT WHERE APPLICABLE MUST REMAIN WITHIN DIMENSIONS		SIZE A3								

△ Au PLATING AREA

Sn PLATING AREA



NOTES

- 適合ハウジング: 502578****, 503149****
APPLICABLE HOUSING: 502578****, 503149****
- 図示の斜線部の範囲は、接点部のため、傷、打痕、汚れなどを付けないようにして下さい。
PLEASE DON'T DAMAGE, DON'T DENT, AND DON'T MAKE IT DIRTY. BECAUSE THE RANGE IN THE SHADED PORTION SHOWN IN FIGURE IS THE CONTACT AREA.
- トレードマーク: MX プラス1文字の製造工場を示すアルファベットにて表示。但し「J」は JAPAN を示す。(例 MXJ)
FORMED BY MX AND 1 MORE LETTER OF ALPHABET WHICH MEAN THE MANUFACTORY. BUT "J" MEANS JAPAN. (TO TRADE MARK) (e.g. MXJ)
- ELV 及び RoHS 適合品
ELV AND RoHS COMPLIANT

部品 PART	材質 MATERIAL 5034291***
銅合金 COPPER ALLOY	
コンタクト部 CONTACT POS.	金めっき: 0.2 micro-meter MIN. GOLD リフロー処理 (前めっき) REFLOW TREATMENT (PRE-PLATED)
バレル部 BARREL POS.	錫めっき: 1.0 micro-meter MIN. TIN リフロー処理 (前めっき) REFLOW TREATMENT (PRE-PLATED)
	ニッケルめっき (下地): 0.1 micro-meter MIN. NICKEL (UNDER PLATING) リフロー処理 (前めっき) REFLOW TREATMENT (PRE-PLATED)

RELEASED EC NO: J2015-0528 DRWN: TAKAIKE 2014/10/24 CHKD: KASAKAWA 2015/02/16 APPR: NUKITA 2015/02/16	GENERAL TOLERANCES (UNLESS SPECIFIED)	
	0.25 UNDER	UNDER ± 0.03
	0.25 OVER	0.5 UNDER ± 0.05
	0.5 OVER	1.0 UNDER ± 0.1
	1.0 OVER	30 UNDER ± 0.2
	10 OVER	30 UNDER ± 0.25
	30 OVER	± 0.3
	ANGULAR	± 3 °
	DRAFT WHERE APPLICABLE MUST REMAIN WITHIN DIMENSIONS	

DIMENSION STYLE MM ONLY	
DRAWN BY TAKAIKE	DATE 2014/10/24
CHECKED BY KASAKAWA	DATE 2015/02/16
APPROVED BY NUKITA	DATE 2015/02/16
MATERIAL NO. SEE TABLE	
SIZE A3	

φ0.7-1.02mm	AWG#26-30	5034291100	バラ状 LOOSE
		5034291000	連鎖状 CHAIN
絶縁被覆外径範囲 INS. RANGE	適用電線範囲 WIRE RANGE	製品番号 MATERIAL NO.	端子形状 FORM
SCALE 10:1		DESIGN UNITS METRIC	THIRD ANGLE PROJECTION
1.5W/B CONN PLUG TERMINAL			
molex			
DOCUMENT NO. SD-503429-002		SHEET NO. 1 OF 1	
THIS DRAWING CONTAINS INFORMATION THAT IS PROPRIETARY TO MOLEX INCORPORATED AND SHOULD NOT BE USED WITHOUT WRITTEN PERMISSION			