

# MG-INC-M16-S67L-PTES-LG - Membrane screw connection



1415186

<https://www.phoenixcontact.com/us/products/1415186>

Please be informed that the data shown in this PDF document is generated from our online catalog. Please find the complete data in the user documentation. Our general terms of use for downloads are valid.



Membrane screw connection, material for screw connection: Polypropylene, external cable diameter 4 mm ... 10 mm, shielding: no, connecting thread: M16, color: light grey

## Commercial data

Item number	1415186
Packing unit	1 pc
Minimum order quantity	20 pc
Sales key	BF68
Product key	BF7DFX
Catalog page	Page 693 (C-2-2019)
GTIN	4055626038001
Weight per piece (including packing)	3.18 g
Weight per piece (excluding packing)	3.18 g
Customs tariff number	39269097
Country of origin	DE

# MG-INC-M16-S67L-PTES-LG - Membrane screw connection



1415186

<https://www.phoenixcontact.com/us/products/1415186>

## Technical data

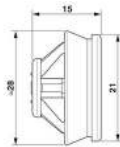
### Mounting

Assembly instructions	for 0.8 mm ... 3.5 mm wall thickness, for 16 mm ... 16.7 mm bore hole
-----------------------	---

### Product properties

Product type	Full screw connection
Manufacturer	WISKA
Manufacturer Designation	CLIXX 16
Shielded	no

### Dimensions

Dimensional drawing	
Length	15 mm
Length of the connecting thread	8 mm
Length without connecting thread	7 mm
Diameter	16 mm
Connecting thread diameter	16 mm
Hole diameter	16 mm ... 16.7 mm
Hexagon angular dimension	32 mm
Thread type connection side	M16

### Material specifications

Seal material	TPE
Material for screw connection	Polypropylene

### Cable/line

External cable diameter ( )	4 mm ... 10 mm
-----------------------------	----------------

### Environmental and real-life conditions

#### Ambient conditions

Degree of protection	IP66 IP67
Ambient temperature (operation)	-40 °C ... 65 °C

# MG-INC-M16-S67L-PTES-LG - Membrane screw connection



1415186

<https://www.phoenixcontact.com/us/products/1415186>

## Classifications

### ECLASS

ECLASS-11.0	27144433
ECLASS-13.0	27140890

### ETIM

ETIM 8.0	EC003608
----------	----------

### UNSPSC

UNSPSC 21.0	39121300
-------------	----------

# MG-INC-M16-S67L-PTES-LG - Membrane screw connection



1415186

<https://www.phoenixcontact.com/us/products/1415186>

## Environmental product compliance

China RoHS	Environmentally friendly use period: unlimited = EFUP-e No hazardous substances above threshold values
------------	---

Phoenix Contact 2023 © - all rights reserved  
<https://www.phoenixcontact.com>

Phoenix Contact USA  
586 Fulling Mill Road  
Middletown, PA 17057, United States  
(+717) 944-1300  
[info@phoenixcon.com](mailto:info@phoenixcon.com)