

4

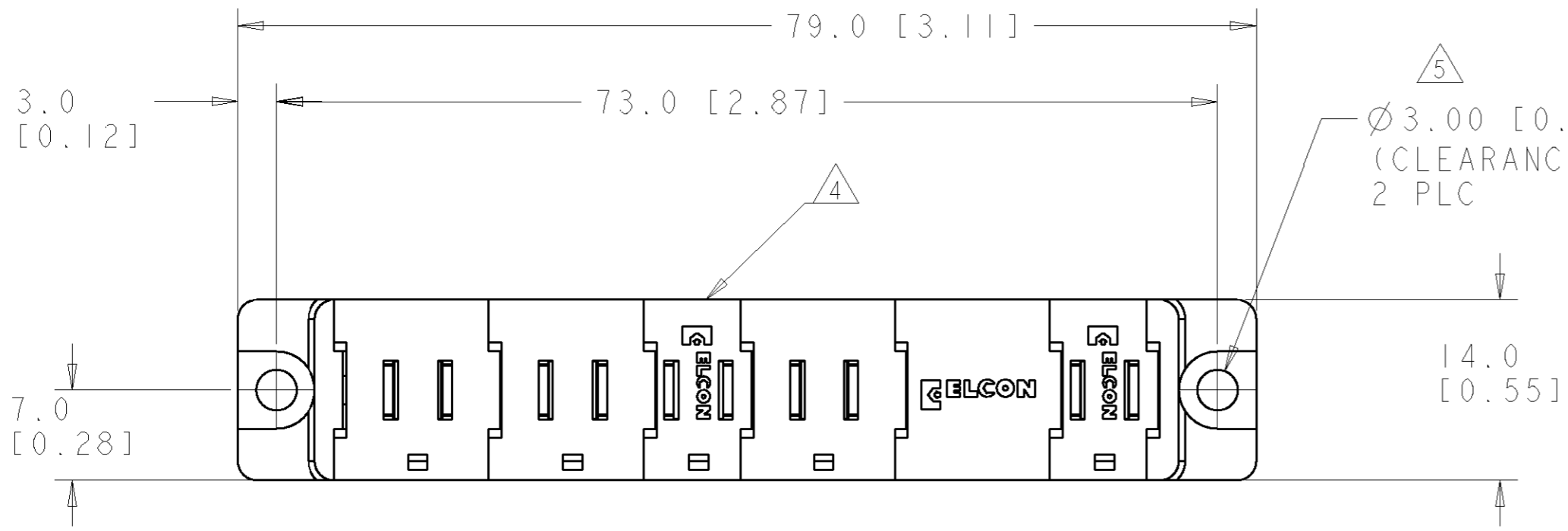
3

2

1

THIS DRAWING IS UNPUBLISHED. RELEASED FOR PUBLICATION 20  
 © COPYRIGHT 20 BY TYCO ELECTRONICS CORPORATION. ALL RIGHTS RESERVED.

LOC	DIST	REVISIONS					
GP	00	P	LTR	DESCRIPTION	DATE	DWN	APVD
			A	RELEASED	28FEB2007	RG	PD



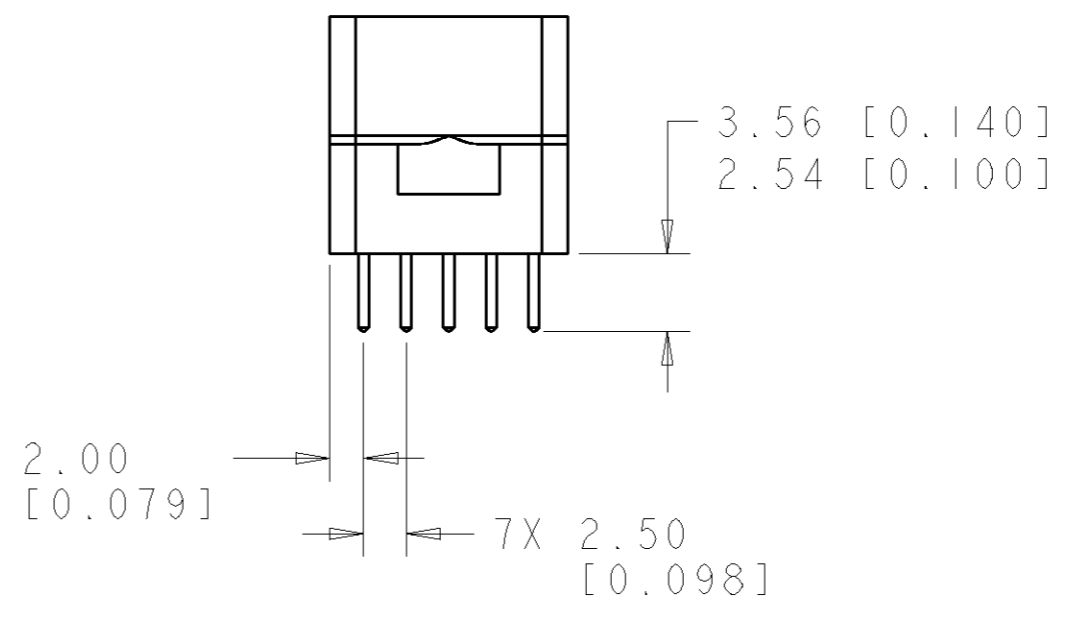
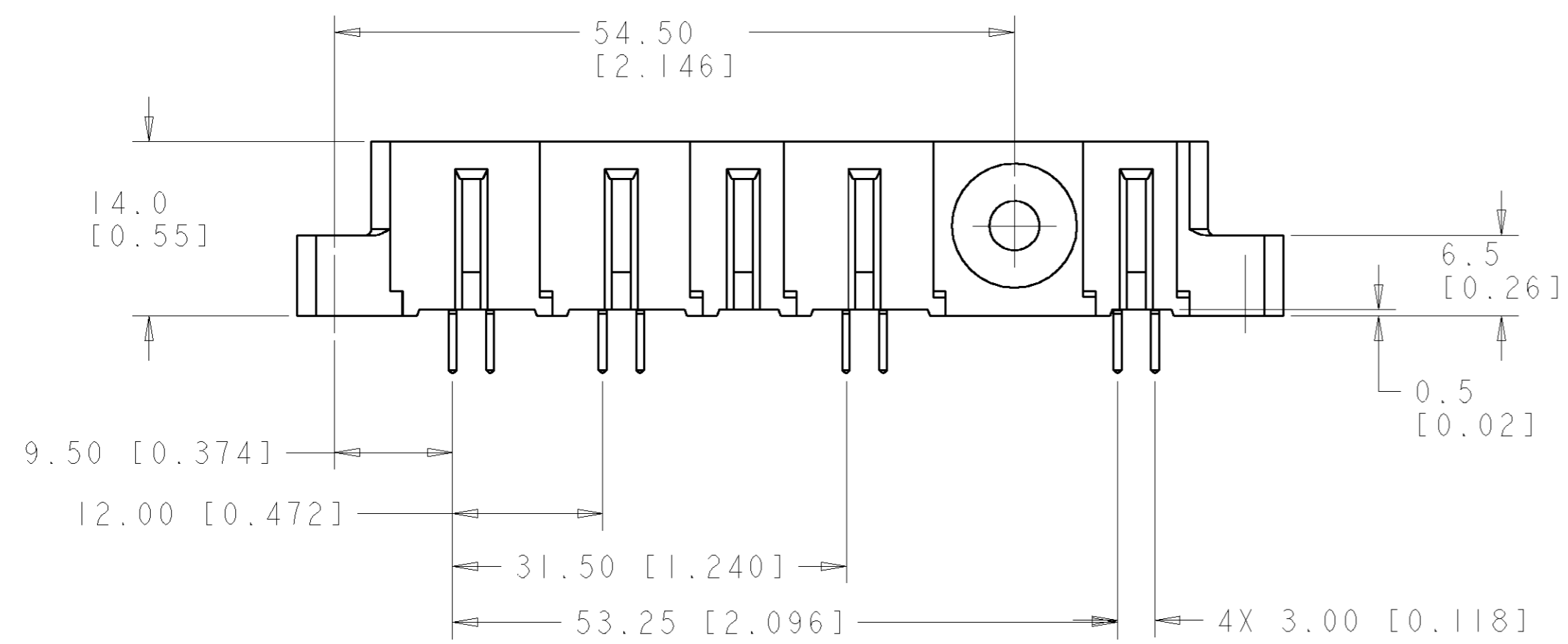
- PART NUMBER CHANGES AND OR DESIGN CHANGES AFFECTING ITEM INTERCHANGEABILITY REQUIRE PRIOR TYCO APPROVAL AND AUTHORIZATION BY REVISION TO THIS DRAWING.
- MATERIAL:  
 INSULATORS - THERMOPLASTIC, GLASS REINFORCED, UL94V-0 FLAMMABILITY RATED. COLOR: BLACK  
 CROWN BAND HOLDER - PHOSPHOR BRONZE ALLOY, BERYLLIUM COPPER ALLOY
- FINISH:  
 CONTACTS - GOLD PLATE .76µm MIN. THK., OVER NICKEL  
 1.27µm MIN. THK.,  
 SOLDER TAILS TIN, 3.05µm MIN. THK. OVER NICKEL  
 1.27µm MIN. THK

△ ITEMS PROVIDED TO THIS SPECIFICATION TO BE PERMANENTLY IDENTIFIED PER THE FOLLOWING IDENTIFIER LABEL

YEAR | WEEK

TYCO PART NO.      DATE CODE (e.g. 0106)  
 XXXXXXXX-X      XXXX

△ MOUNTING FLANGES ACCEPTS M3 OR #4-40 SCREWS (USER SUPPLIED)



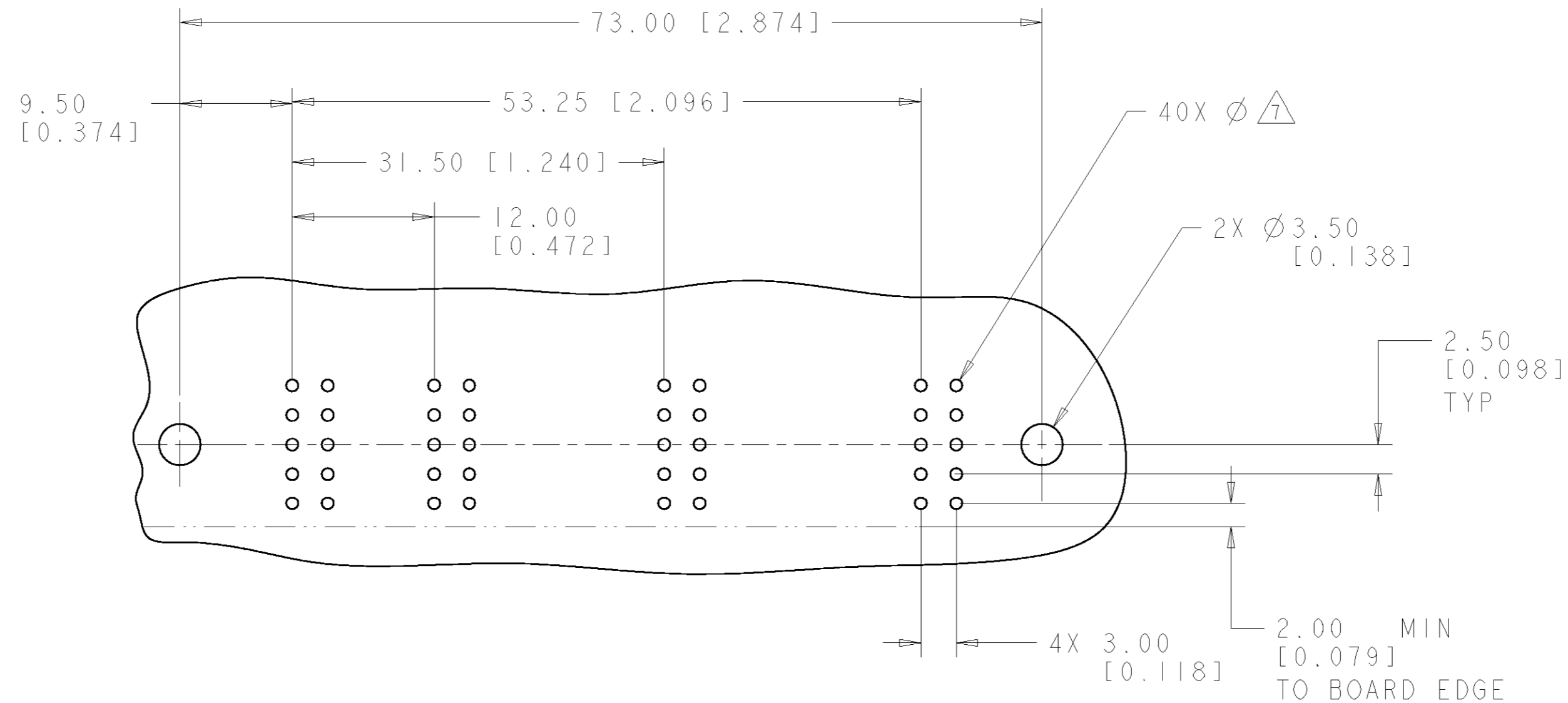
**ELCON FLATPAQ**

AS SHOWN	1926406-1
DESCRIPTION	PART NUMBER

<small>THIS DRAWING IS A CONTROLLED DOCUMENT FOR TYCO ELECTRONICS CORPORATION. IT IS SUBJECT TO CHANGE AND THE CONTROLLING ENGINEERING ORGANIZATION SHOULD BE CONTACTED FOR THE LATEST REVISION.</small>		DWN R. GRZYBOWSKI 13FEB07	Tyco Electronics Harrisburg, PA 17105-3608
DIMENSIONS: mm		CHK P. DAMATO 13FEB07	
TOLERANCES UNLESS OTHERWISE SPECIFIED: 0 PLC ±.3 [0.12] 1 PLC ±.3 [0.12] 2 PLC ±.15 [0.06] 3 PLC ±. 4 PLC ±. ANGLES ±.5 FINISH		APVD S. FLICKINGER 13FEB07	
MATERIAL		PRODUCT SPEC APPLICATION SPEC	
		WEIGHT	NAME CONNECTOR ASSEMBLY, SOCKET RIGHT ANGLE, SOLDER TAIL
		CUSTOMER DRAWING	SIZE A2
			CAGE CODE 00779
			DRAWING NO. 1926406
			RESTRICTED TO
			SCALE 3:1
			SHEET 1 OF 3
			REV A

THIS DRAWING IS UNPUBLISHED. RELEASED FOR PUBLICATION 20  
 © COPYRIGHT 20 BY TYCO ELECTRONICS CORPORATION. ALL RIGHTS RESERVED.

LOC	DIST	REVISIONS					
GP	00	P	LTR	DESCRIPTION	DATE	DWN	APVD
		-		SEE SHEET 1	-	-	-



PRINTED CIRCUIT LAYOUT  
 COMPONENT SIDE

CONNECTOR	CATALOG MODULE #	QTY	SIZE NO.	CONTACT QTY	MATING PIN	MAX. CURRENT (PER CONTACT)	CONTACT SPACING	VOLTAGE RATING
SOCKET	FP104	1	8	2	1.25 X 7.00 [.049 X .276]	35 amps	7.50 [.2953]	250
	FP512	1	SPACER					
	FP120	3	8	2	1.25 X 7.00 [.049 X .276]	35 amps	7.50 [.2953]	250
	FP506	2	RIGHT ANGLE GUIDE SOCKET					
	FP0500	1	LEFT MOUNTING FLANGE					
	FP0501	1	RIGHT MOUNTING FLANGE					

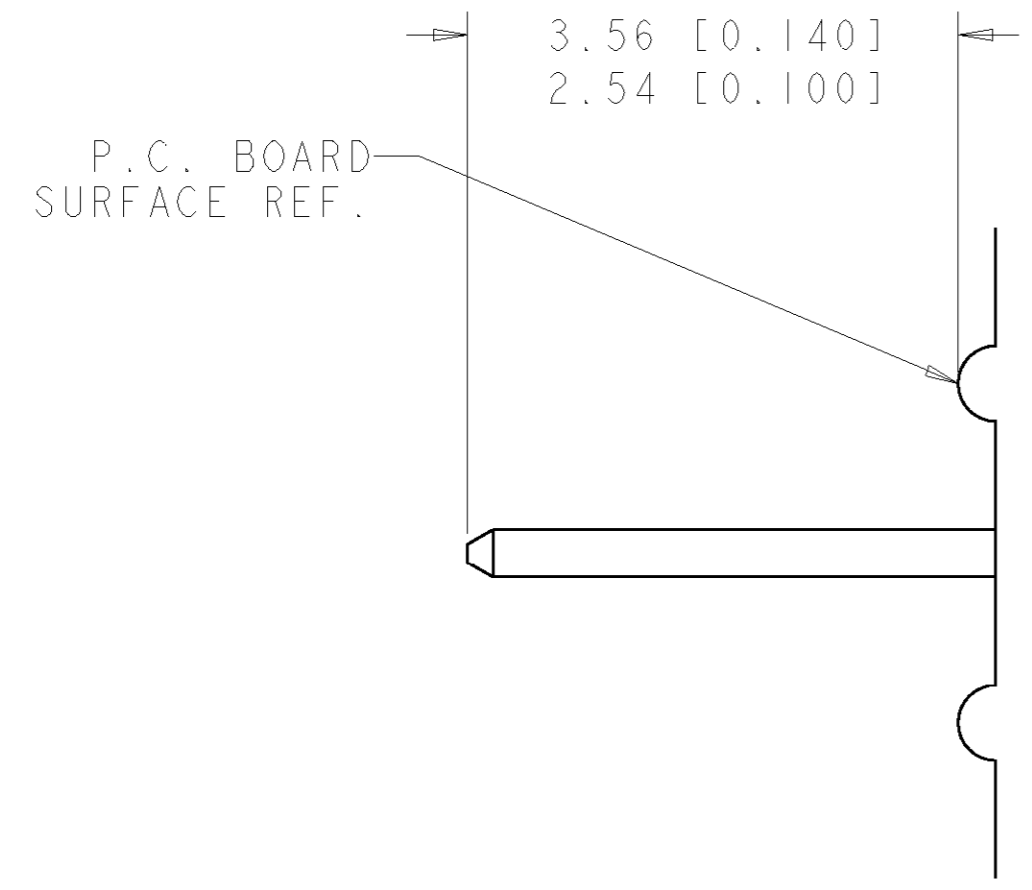
THIS DRAWING IS A CONTROLLED DOCUMENT FOR TYCO ELECTRONICS CORPORATION. IT IS SUBJECT TO CHANGE AND THE CONTROLLING ENGINEERING ORGANIZATION SHOULD BE CONTACTED FOR THE LATEST REVISION.

DWN	R. GRZYBOWSKI	13FEB07	Tyco Electronics Harrisburg, PA 17105-3608			
CHK	P. DAMATO	13FEB07				
APVD	S. FLICKINGER	13FEB07				
NAME	CONNECTOR ASSEMBLY, SOCKET RIGHT ANGLE, SOLDER TAIL					
DIMENSIONS:	mm	TOLERANCES UNLESS OTHERWISE SPECIFIED:	SIZE	CAGE CODE	DRAWING NO.	RESTRICTED TO
		0 PLC ±.3 [.012]	A2	00779	1926406	-
		1 PLC ±.15 [.006]	SCALE	3:1	SHEET	2 OF 3
		2 PLC ±.15 [.006]	REV	A		
		3 PLC ±.	CUSTOMER DRAWING			
		4 PLC ±.				
		ANGLES ±.5				
MATERIAL	-	FINISH				

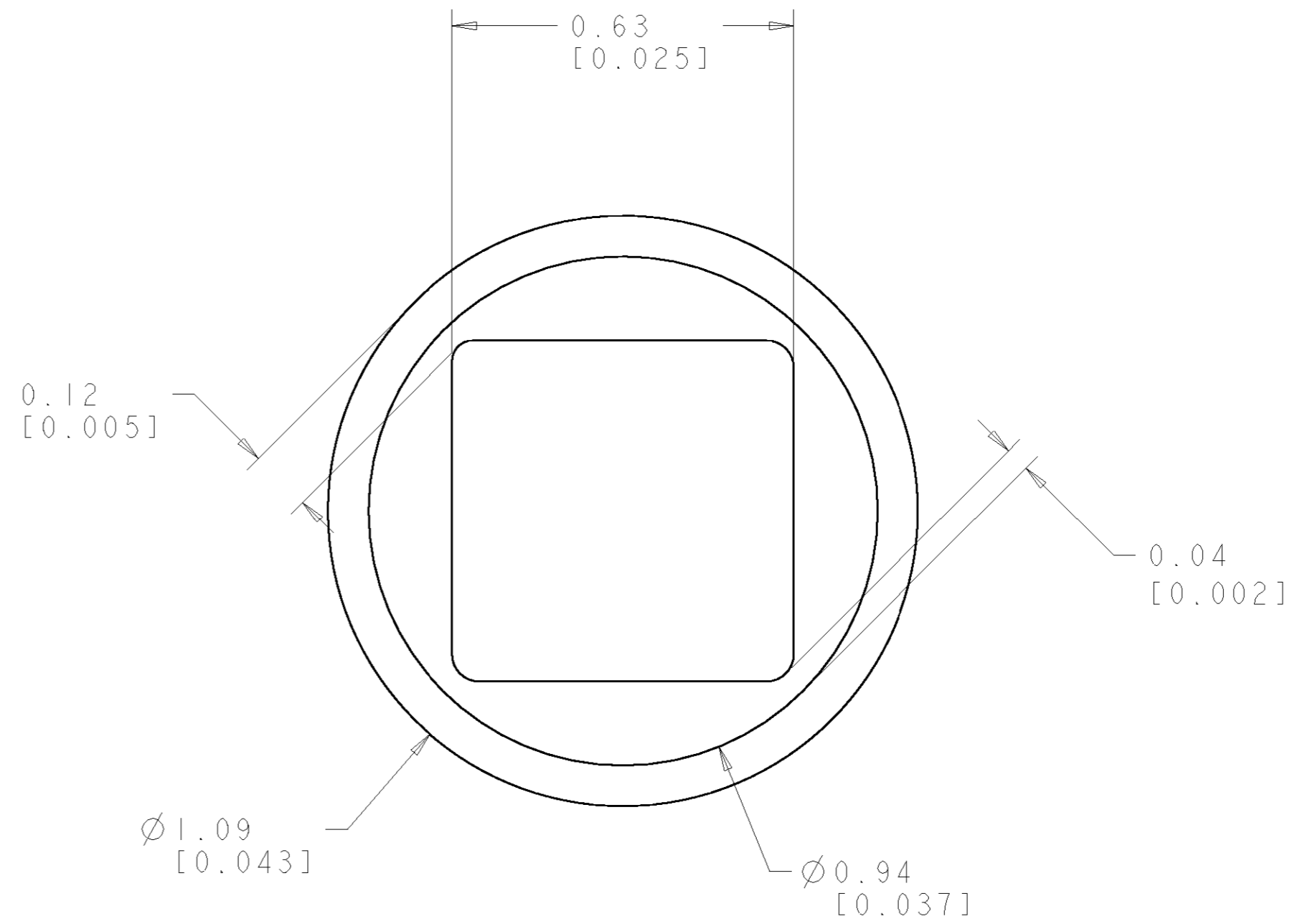
ELCON FLATPAQ

THIS DRAWING IS UNPUBLISHED. RELEASED FOR PUBLICATION 20  
 © COPYRIGHT 20 BY TYCO ELECTRONICS CORPORATION. ALL RIGHTS RESERVED.

LOC	DIST	REVISIONS			
P	LTR	DESCRIPTION	DATE	DWN	APVD
GP	00	-	SEE SHEET 1	-	-



6. SOLDER TAIL DETAIL  
SCALE 10 : 1



△ SOLDER TERMINATION AREA  
SCALE 40:1

RECOMMENDED PRINTED CIRCUIT SOLDER HOLE  
 FINISHED HOLE: Ø1.02 [.040] ±.08 [.003]  
 DRILLED HOLE: Ø1.15 [.0453] ±.013 [.0005]  
 COPPER PLATE: .025 [.0010] MIN.  
 TIN PLATE: .008 [.0003] MIN. (PER SURFACE)

ELCON FLATPAQ

<small>THIS DRAWING IS A CONTROLLED DOCUMENT FOR TYCO ELECTRONICS CORPORATION          IT IS SUBJECT TO CHANGE AND THE CONTROLLING ENGINEERING ORGANIZATION          SHOULD BE CONTACTED FOR THE LATEST REVISION.</small>		DWN R. GRZYBOWSKI 13FEB07 CHK P. DAMATO 13FEB07 APVD S. FLICKINGER 13FEB07	<b>tyco</b> Tyco Electronics <b>Electronics</b> Harrisburg, PA 17105-3608
DIMENSIONS: mm 	TOLERANCES UNLESS OTHERWISE SPECIFIED: 0 PLC ± 1 PLC ±.3 [.012] 2 PLC ±.15 [.006] 3 PLC ± 4 PLC ± ANGLES ±.5 FINISH	NAME PRODUCT SPEC APPLICATION SPEC WEIGHT CUSTOMER DRAWING	CONNECTOR ASSEMBLY, SOCKET RIGHT ANGLE, SOLDER TAIL SIZE A2 CAGE CODE 00779 DRAWING NO. C-1926406 RESTRICTED TO - SCALE 3:1 SHEET 3 OF 3 REV A