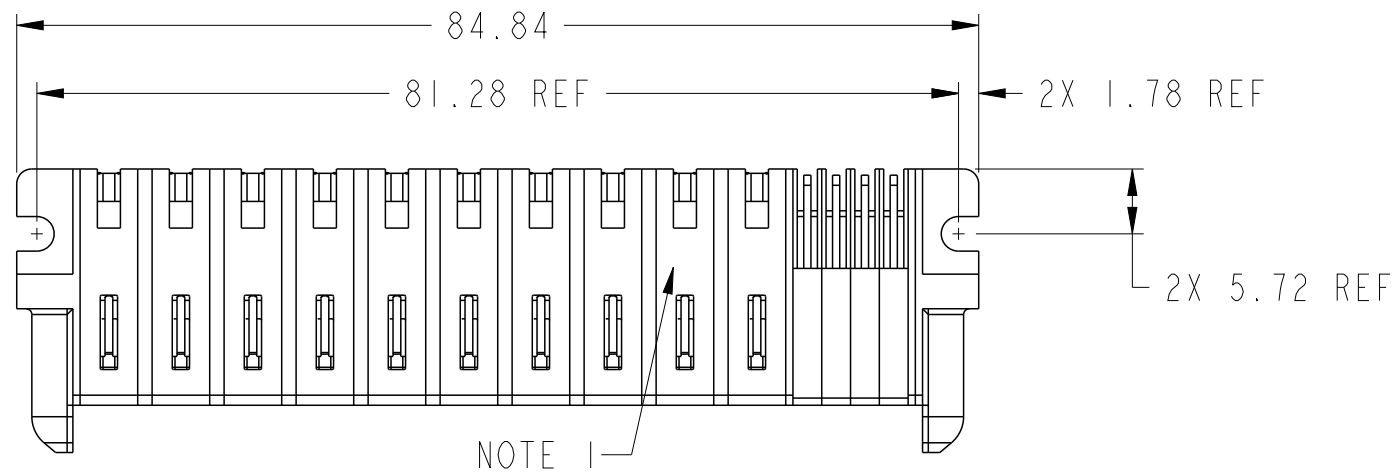
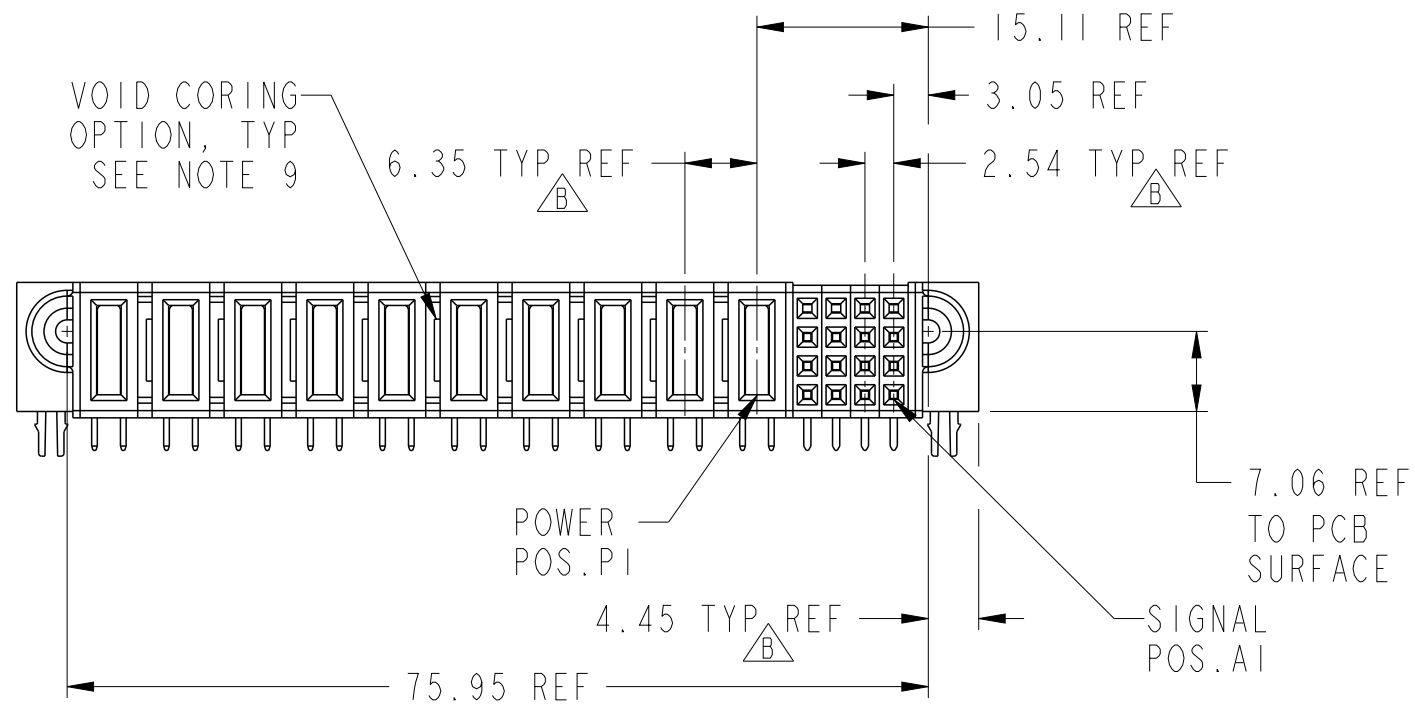


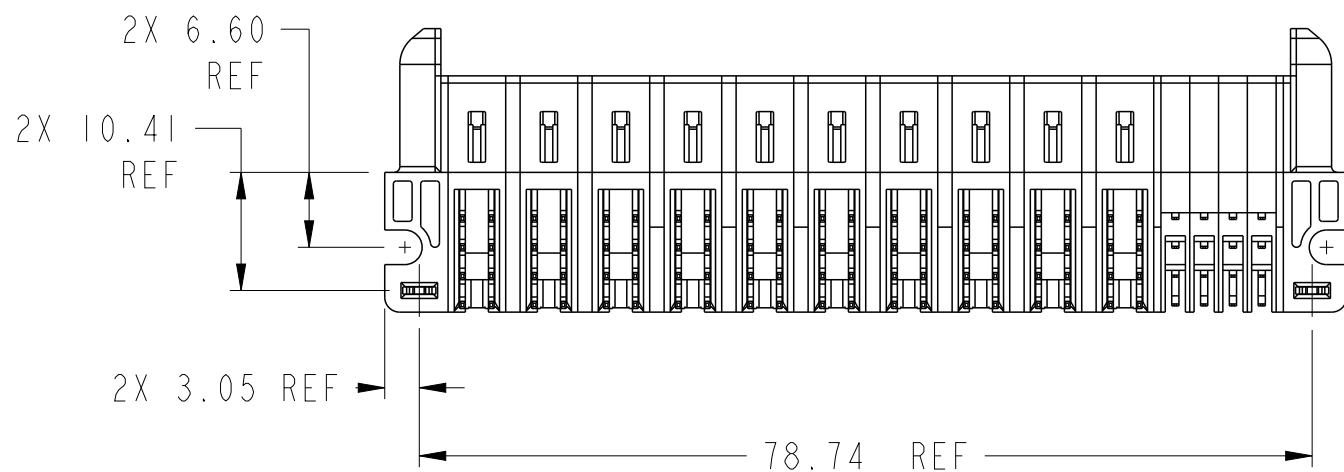
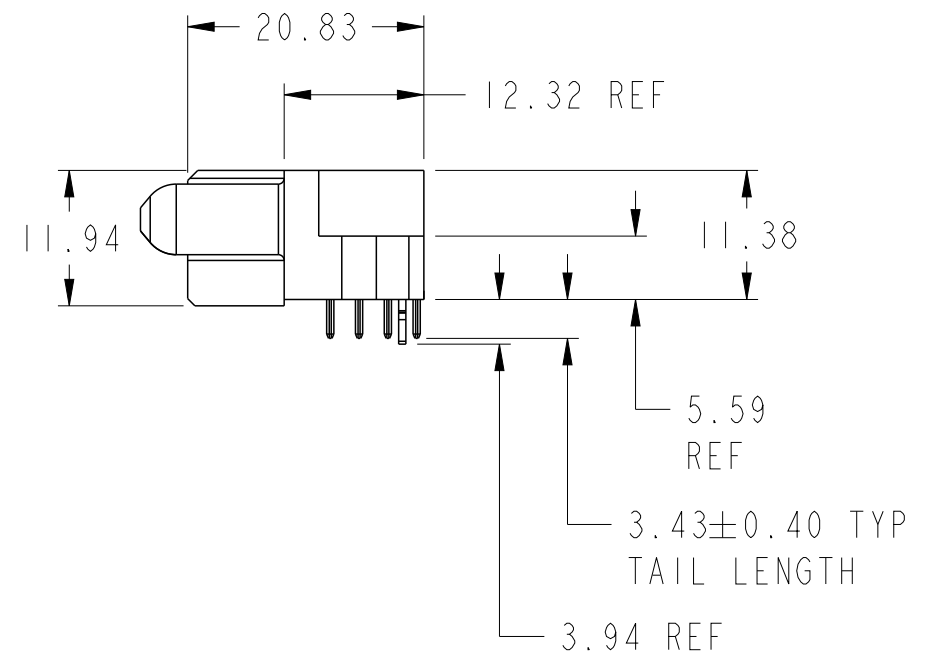
PART NUMBER 10106126-A004001LF



NOTE 1



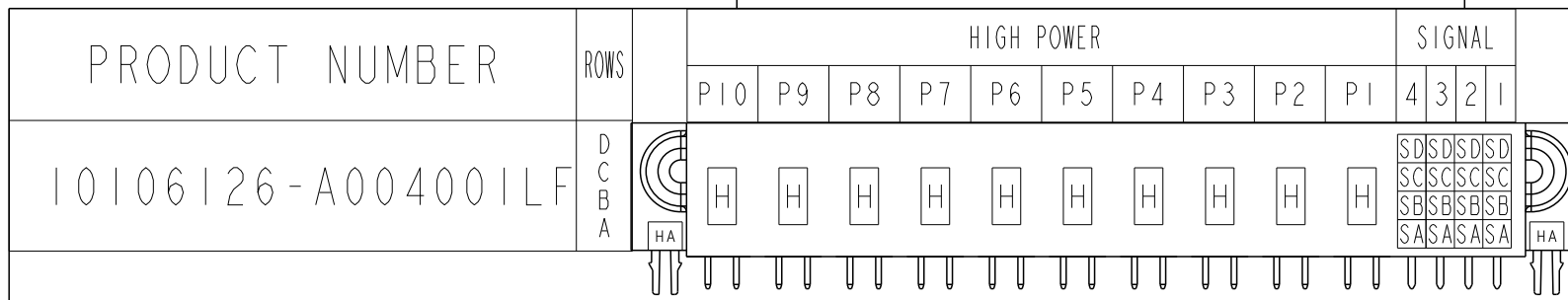
VOID CORING OPTION, TYP SEE NOTE 9



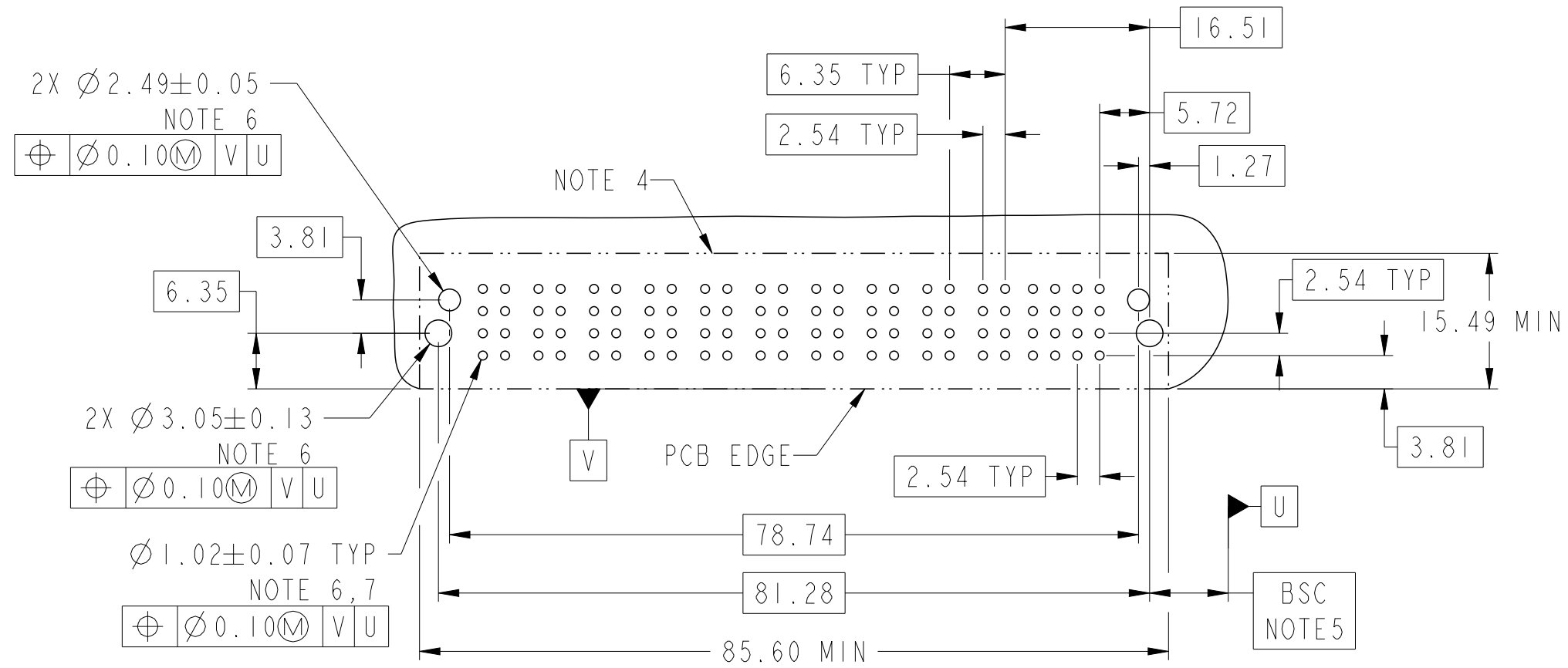
spec ref	*		
tolerance std	TOLERANCES UNLESS OTHERWISE SPECIFIED		
surface	linear	0.X	±0.50
		0.XX	±0.25
		0.XXX	±0.10
	angular	0°	±2°

dr	Helen Zhang	2012/02/05		MM	size	A3	scale	3:2
eng	Peng-Bing Fu	2012/11/14			ecn no	ELX-DG-013144-1		
chr	Tian-Xu Huang	2012/11/15			rel level	Released		
appr	Pei-Ming Zheng	2012/11/15			product family	-		
		title 16S + 10HP RA SOLDER RECEPTACLE		dwg no 10106126-A004001	rev B			
www.fci.com		cat. no.	-	Product - Customer Drw		sheet 1 of 3		

Copyright FCI. FCI



CODE	DESCRIPTION
H	STD HIGH POWER CONTACT
SA	STD SIGNAL CONTACT, ROW A
SB	STD SIGNAL CONTACT, ROW B
SC	STD SIGNAL CONTACT, ROW C
SD	STD SIGNAL CONTACT, ROW D
HA	METAL HOLD DOWN



Copyright FCI.

spec ref	*	dr	Helen Zhang	2012/02/05	projection	MM	size	A3	scale	3:2		
tolerance std	TOLERANCES UNLESS OTHERWISE SPECIFIED	eng	Peng-Bing Fu	2012/11/14			ecn no	ELX-DG-013144-1	rel level	Released		
surface	linear	0.X	±0.50	chr							Tian-Xu Huang	2012/11/15
		0.XX	±0.25									
	angular	0°	±2°	product family		-						



title: 16S + 10HP  
 RA SOLDER RECEPTACLE  
 www.fci.com  
 cat. no. -  
 Product - Customer Drw  
 sheet 2 of 3  
 rev: B  
 dwg no: 10106126-A004001

NOTES:

- 1) "FCI", PART NUMBER AND DATE CODE TO BE MARKED IN AREA SHOWN.  
PART LENGTH UNDER 30MM SHOW DATE CODE ONLY.
- 2) MATERIALS:  
-HOUSING - GLASS FILLED WITH HIGH TEMP THERMOPLASTIC, UL94V-0.  
-SIGNAL CONTACT - COPPER ALLOY.  
-POWER CONTACT - HIGH CONDUCTIVITY COPPER ALLOY.
- 3) PLATING SPECIFICATION REFER TO FCI 10116351
- 4) DENOTES CONNECTOR KEEP OUT ZONE.
- 5) DATUM AND BASIC DIMENSIONS WERE ESTABLISHED BY CUSTOMER.
- 6) ALL HOLE DIAMETERS ARE FINISHED HOLE SIZES.
- 7)  $1.15 \pm 0.025$ MM DRILLED HOLE PLATED WITH 0.00762MM MIN Sn  
OVER 0.0254-0.0762MM Cu PLATING TO ACHIEVE A  $1.02 \pm 0.07$ MM HOLE.
- 8) PRODUCT SPECIFICATION REFER TO FCI GS-12-658.  
APPLICATION SPECIFICATION REFER TO FCI GS-20-141.  
PRODUCT PACKAGED IN TRAYS, REFER TO FCI GS-14-1502.
- 9) THE VOID CORING IN BETWEEN POWER MODULES, SIGNAL  
MODULES AND END MODULES ARE OPTIONAL AND THE SHAPE  
MAY BE DIFFERENT FOR OPTIMIZE THE MOLDING PROCESS. THE  
VOID CORING WILL NOT EFFECT TO PRODUCT FUNCTION.
- 10) A  $\triangle$  B SYMBOL WILL BE NEXT TO ANY DIMENSION, VIEW, OR NOTE WHICH  
HAS BEEN MODIFIED WITH THE CURRENT DRAWING REVISION.

spec ref	*	dr	Helen Zhang	2012/02/05	projection	MM	size	A3	scale	3:2	
tolerance std	TOLERANCES UNLESS OTHERWISE SPECIFIED	eng	Peng-Bing Fu	2012/11/14		← →	ecn no	ELX-DG-013144-1			
		chr	Tian-Xu Huang	2012/11/15			product family	-	rel level	Released	
surface	✓	appr	Pei-Ming Zheng	2012/11/15	title		16S + 10HP	dwg no	10106126-A004001	rev	B
	linear	www.fci.com		cat. no.	-	Product - Customer Drw		sheet 3 of 3			
	angular	0°	±2°								



Copyright FCI.