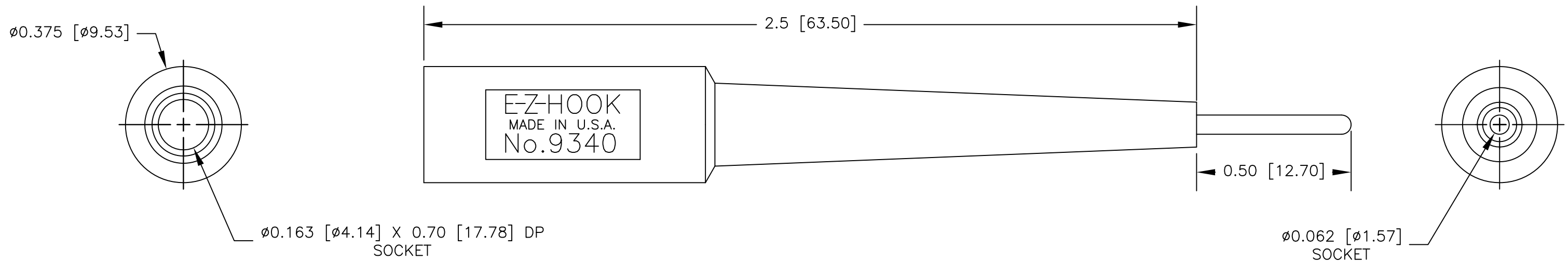


NOTES: UNLESS OTHERWISE SPECIFIED

1. CONSTRUCTION:  
 INSULATOR: MOLDED PVC. AVAILABLE IN BLK & RED  
 CONTACT: GOLD PLATED COPPER, NICKEL ALLOY  
 SOCKET: TIN PLATED BRASS
2. PERFORMANCE  
 MAXIMUM CURRENT: 13 AMPS  
 MAXIMUM VOLTAGE: 300 V  
 MAXIMUM TEMPERATURE: 122°F (50°C)
3. FEATURES  
 REAR SOCKET ACCEPTS STD BAN PLUGS

REVISIONS			
LTR	DESCRIPTION	DATE	APPROVED



		UNLESS OTHERWISE SPECIFIED DIMENSIONS ARE IN INCHES TOLERANCES ARE: FRACTIONS DECIMALS ANGLES ± .XX ± ± .XXX ±	CONTRACT NO.		<b>E-Z-HOOK</b> DIVISION OF TEKTEST INC. ARCADIA, CA 91006 U.S.A.	
			APPROVALS	DATE		
		MATERIAL SEE NOTE.	DRAWN	R.L.	3/15	
			APPROVED BY			
NEXT ASSY	USED ON	FINISH SEE NOTE.			DESCRIPTION E-Z-FLEX STD BAN SKT TO 0.062 [1.57] PIN ADAPTER	
APPLICATION		DO NOT SCALE DRAWING	SIZE	CODE IDENT NO.	DRAWING NO.	REV.
			B	08505	9340	
			SCALE	3:1		SHEET 1 OF 1