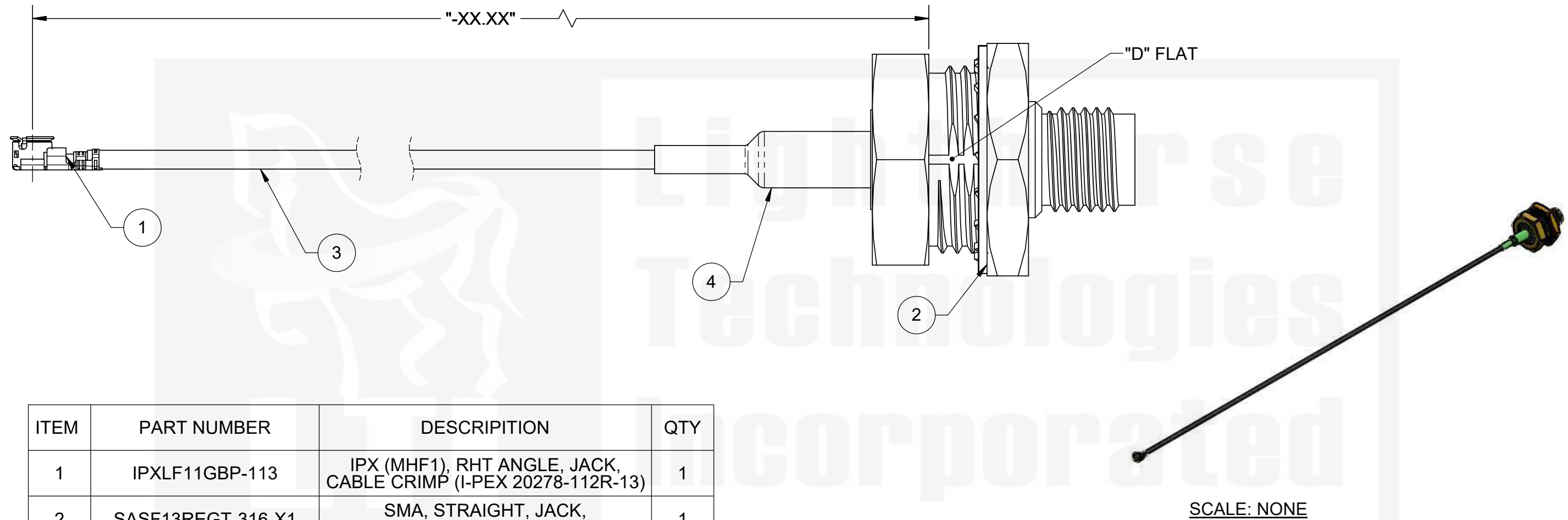


-XX IN THE ENDING OF THE CABLE PART NUMBER IS CALLING OUT THE LENGTH OF THE ASSEMBLY FROM CENTER TO MATING FLANGE OF CONNECTORS. EXAMPLES SHOWN BELOW:

LTI P/N: CB1.13-IPX-SAF3REGTX1-8IN (8 INCHES)

REVISIONS				
REV	ECR	DESCRIPTION	DRAWN	DATE
1		PRODUCTION RELEASE	M. LARSEN	3/9/2022



ITEM	PART NUMBER	DESCRIPTION	QTY
1	IPXLF11GBP-113	IPX (MHF1), RHT ANGLE, JACK, CABLE CRIMP (I-PEX 20278-112R-13)	1
2	SASF13REGT-316-X1	SMA, STRAIGHT, JACK, BLKHD MNT, ISOLATED, CRIMP	1
3	CABLE	CABLE, 1.13 MICRO COAX, BLACK	AR
4	1635F-1/8"	.125 (1/8) DIA, .75 LENGTH, GREEN	1

SCALE: NONE

PROPRIETARY AND CONFIDENTIAL  
 UNLESS OTHERWISE SPECIFIED: THIS DOCUMENT CONTAINS LIGHORSE TECHNOLOGIES INFORMATION. REPRODUCTION, USE, DISCLOSURE OR TRANSMITTAL OF ALL OR ANY PART OF THIS DOCUMENT IS PROHIBITED EXCEPT TO THE EXTENT APPROVED IN WRITING BY AN AUTHORIZED REPRESENTATIVE OF LIGHORSE TECHNOLOGIES. LIGHORSE TECHNOLOGIES RESERVES ALL RIGHTS UNDER PATENTS, TRADEMARKS, COPY RIGHTS AND TRADE SECRETS. COPY RIGHTS OF LIGHORSE TECHNOLOGIES 2011, ALL RIGHTS RESERVED.



DO NOT SCALE DRAWING		Lighthorse Technologies San Diego, CA WWW.RFCONNECTOR.COM	
TOLERANCES UNLESS OTHERWISE SPECIFIED		TITLE: CABLE ASSEMBLY,	
DIMENSIONS ARE IN MILLIMETERS		IPX (MHF1), R/A JACK, CRIMP TO SMA, JACK, BLKHD MNT, ISOLATED, CRIMP 1.13 MICRO COAX	
X	= ±0.5		
X.X	= ±0.25		
X.XX	= ±0.13		
ANGLE	= ±30'		
CUSTOMER APPROVAL		SIZE	PART/DWG. NO:
SIGN / DATE:		B	CB1.13-IPX-SAF3REGTX1-xxIN
ENG APPR.	P. BURDGE 3/9/2022	SCALE: 4:1	FILE NAME
CHECKED	M. HELD 3/9/2022		
DRAWN	M. LARSEN 3/9/2022		
NAME	DATE		SHEET 1 OF 1