



Rail D-Sub Backshells

TE Internal #: 1-2308345-1

Shielded, Single or Dual Cable Entry, Zinc, Straight, Shell Size 4, 37 / 62 Position, Crimp Ferrule Termination, Rail D-Sub Backshells

[View on TE.com >](#)

Connectors > Connector Accessories > Connector Backshells > D-SUB BACKSHELL SIZE 4



Connector Backshell Product Style: **Shielded**
 Connector Backshell Product Type: **Single or Dual Cable Entry**
 Primary Product Material: **Zinc**
 Body Orientation: **Straight**
 Compatible With Connector Shell Size: **4**

All D-SUB BACKSHELL SIZE 4 (8)

Features

Product Type Features

| | |
|-----------------------------------|----------------------------|
| Connector Backshell Product Style | Shielded |
| Connector Backshell Product Type | Single or Dual Cable Entry |
| Sealable | No |
| Termination Device Type | Crimp Ferrule |

Configuration Features

| | |
|---------------------|--------|
| Number of Positions | 37, 62 |
|---------------------|--------|

Body Features

| | |
|--------------------------|-----------|
| Primary Product Material | Zinc |
| Cable Exit Angle | 180°, 45° |

Mechanical Attachment

| | |
|-----------------------|-----------|
| Mating Retention Type | Jackscrew |
| Thread Size | 4-40 UNC |

Housing Features



| | |
|---------------------------------|----------|
| Body Orientation | Straight |
| Compatible With Connector Shape | D-Shaped |

Usage Conditions

| | |
|-----------------------------|---------------------------|
| Operating Temperature Range | -40 – 90 °C[-40 – 194 °F] |
|-----------------------------|---------------------------|

Operation/Application

| | |
|--------------------------------------|---|
| Compatible With Connector Shell Size | 4 |
|--------------------------------------|---|

Industry Standards

| | |
|------------------------|----------|
| UL Flammability Rating | UL 94V-0 |
|------------------------|----------|

Product Compliance

[For compliance documentation, visit the product page on TE.com>](#)

| | |
|---|--|
| EU RoHS Directive 2011/65/EU | Compliant with Exemptions |
| EU ELV Directive 2000/53/EC | Compliant |
| China RoHS 2 Directive MIIT Order No 32, 2016 | Restricted Materials Above Threshold |
| EU REACH Regulation (EC) No. 1907/2006 | Current ECHA Candidate List: JUNE 2023 (235) Candidate List Declared Against: JUNE 2023 (235) SVHC > Threshold: Pb (3.5% in Component Part) Article Safe Usage Statements: Do not eat, drink or smoke when using this product. Wash thoroughly after handling. Recycle if possible and dispose of the article by following all applicable governmental regulations relevant to your geographic location. |
| Halogen Content | Low Halogen - Br, Cl, F, I < 900 ppm per homogenous material. Also BFR/CFR/PVC Free |
| Solder Process Capability | Not reviewed for solder process capability |

Product Compliance Disclaimer

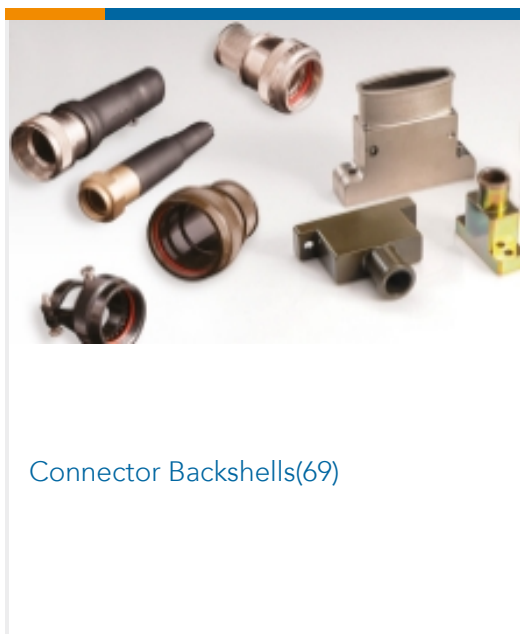
This information is provided based on reasonable inquiry of our suppliers and represents our current actual knowledge based on the information they provided. This information is subject to change. The part numbers that TE has identified as EU RoHS compliant have a maximum concentration of 0.1% by weight in homogenous materials for lead, hexavalent chromium, mercury, PBB, PBDE, DBP, BBP, DEHP, DIBP, and 0.01% for cadmium, or qualify for an exemption to these limits as defined in the Annexes of Directive 2011/65/EU (RoHS2). Finished electrical and electronic equipment products will be CE marked as required by Directive 2011/65/EU. Components may not be CE marked. Additionally, the part numbers that TE has identified as EU ELV compliant have a maximum concentration of 0.1% by weight in homogenous materials for lead, hexavalent chromium, and mercury, and 0.01% for cadmium, or qualify for an exemption to these limits as defined in the Annexes of Directive 2000/53/EC (ELV). Regarding the REACH Regulation, the information TE provides on SVHC in articles for this part number is based on the latest European Chemicals Agency (ECHA) 'Guidance on requirements for substances in articles' posted at this URL: <https://echa.europa.eu/guidance-documents/guidance-on-reach>

Compatible Parts

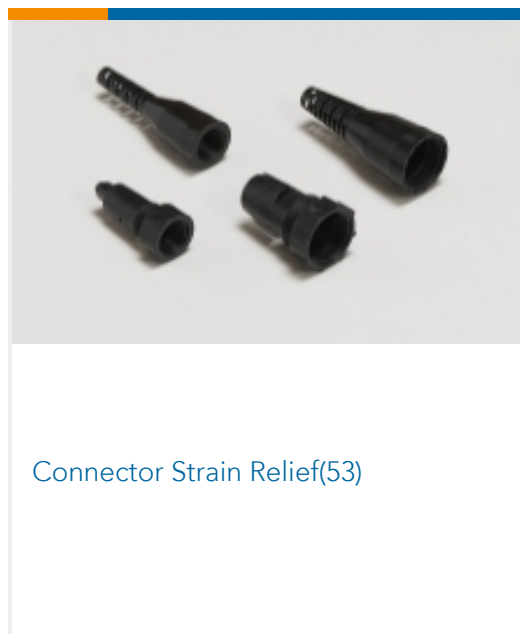


TE Part # 1-2308348-8
CRIMP FLANGE 8 LARGE

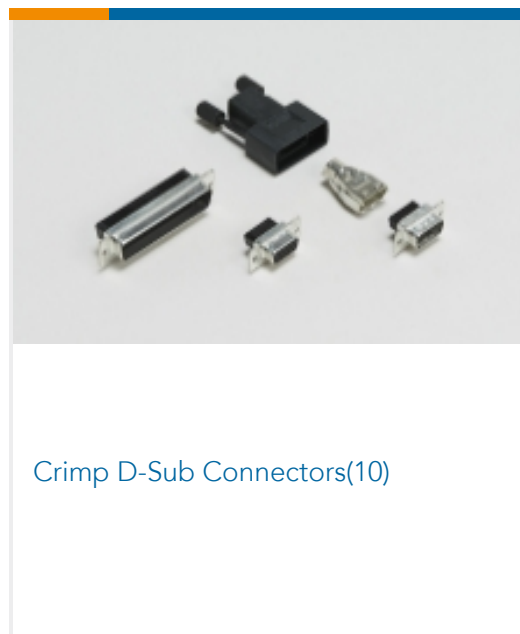
Also in the Series | Rail D-Sub Backshells



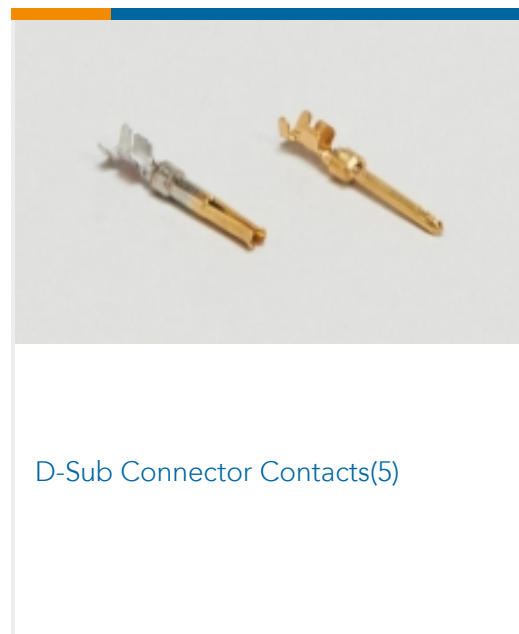
Connector Backshells(69)



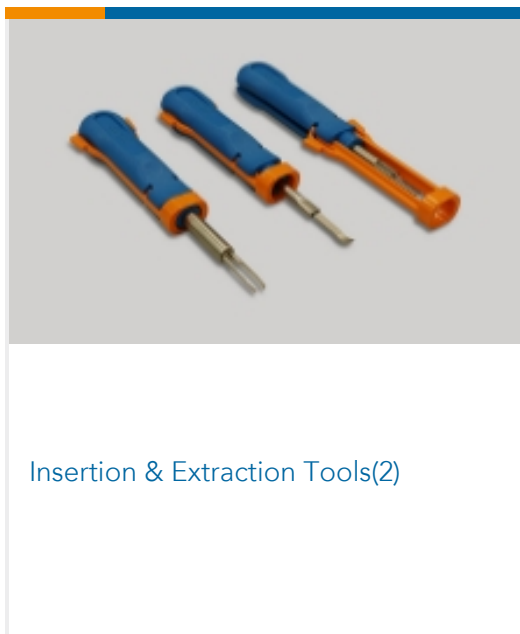
Connector Strain Relief(53)



Crimp D-Sub Connectors(10)



D-Sub Connector Contacts(5)



Insertion & Extraction Tools(2)



Rectangular Connector Hardware(19)

Customers Also Bought



TE Part #1-2308341-1
FULL METAL HOODS SIZE 2



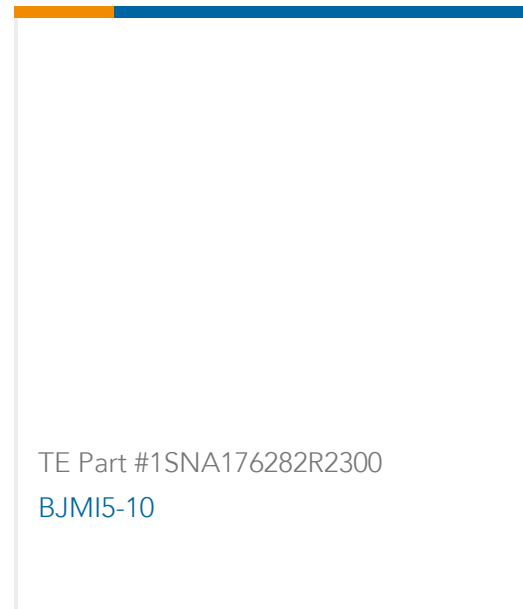
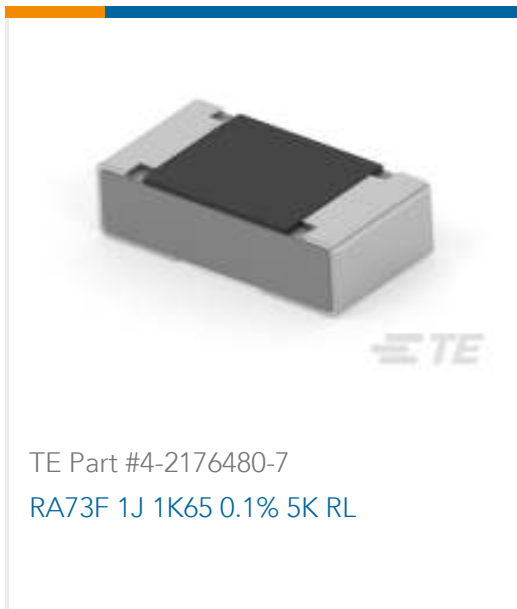
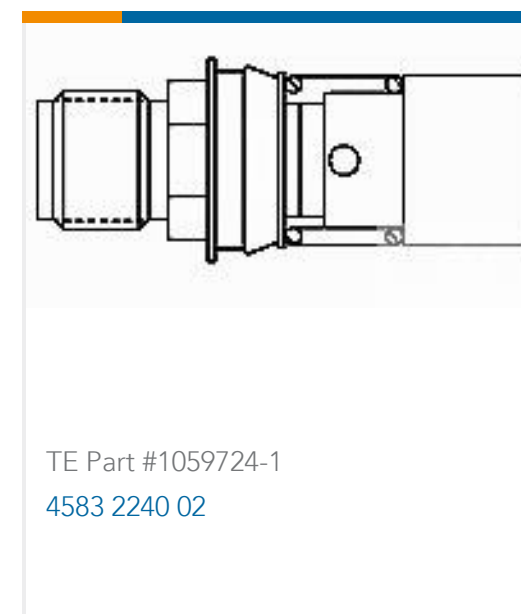
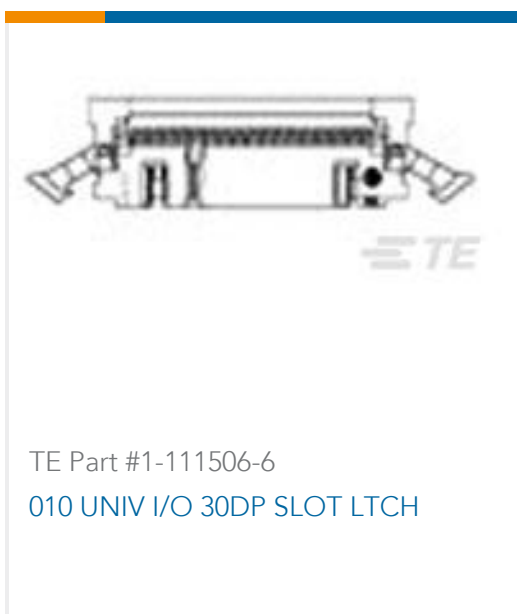
TE Part #1-2308342-1
FULL METAL HOODS SIZE 3



TE Part #1-2308345-6
FULL METAL HOODS SIZE 4 - 6 (RAW)



TE Part #1-2308346-1
FULL METAL HOODS SIZE 5



Documents

Product Drawings

FULL METAL HOODS SIZE 4

English

CAD Files

3D PDF

3D

Customer View Model

[ENG_CVM_CVM_1-2308345-1_A.2d_dxf.zip](#)

English

Customer View Model

[ENG_CVM_CVM_1-2308345-1_A.3d_igs.zip](#)

English

Customer View Model

[ENG_CVM_CVM_1-2308345-1_A.3d_stp.zip](#)

English

By downloading the CAD file I accept and agree to the [Terms and Conditions](#) of use.

Datasheets & Catalog Pages

Rail D-Sub Backshells Flyer

English