

**System pitch 5.08 mm (0.200 inch)
SL-SMT 5.08/06/90G 3.2SN BK BX**

Weidmüller Interface GmbH & Co. KG
 Klingenbergstraße 16
 D-32758 Detmold
 Germany
 Fon: +49 5231 14-0
 Fax: +49 5231 14-2083
 www.weidmueller.com



High-temperature-resistant male connector, packed in box or tape. In tape with 1.5 mm solder pin optimised for automatic assembly. 3.2 mm solder pin suitable for reflow and wave soldering. These male connectors can be labelled and coded.

- 400 V (IEC) / 300 V (UL)
- 19 A (IEC) / 15 A (UL)

General ordering data

Order No.	1780220000
Part designation	SL-SMT 5.08/06/90G 3.2SN BK BX
Version	PCB plug-in connector, male header, 5.08 mm, No. of poles: 6, 90°, Solder pin length: 3.2 mm, tinned, black, Reflow solder connection, Box
GTIN (EAN)	4032248165544
Qty.	50 pc(s).
Packaging	Box

**System pitch 5.08 mm (0.200 inch)
SL-SMT 5.08/06/90G 3.2SN BK BX**

Weidmüller Interface GmbH & Co. KG
 Klingenbergstraße 16
 D-32758 Detmold
 Germany
 Fon: +49 5231 14-0
 Fax: +49 5231 14-2083
 www.weidmueller.com

Technical data
System parameters

Fitted to PCB	Reflow solder connection	Outgoing elbow	90°
Pitch in mm	5.08 mm	Pitch in inch	0.2 inch
No. of poles	6	Solder pin length	3.2 mm
Can be coded	Yes	No. of rows	1
Number of solder pins per pole	1	L1 in mm	25.4 mm
L1 in inch	1 inch		

Material data

Insulating material	LCP GF	Colour	black
Insulating material group	IIIa	Flammability class UL 94	V-0
Contact material	CuSn	Contact surface	tinned
Highest continuous operating temperature, min.	-25 °C	Highest continuous operating temperature, max.	100 °C
Max. relative humidity during storage	80 %		

DIN IEC rating data

Rated current, min. No. of poles (Tu=20°C)	19 A	Rated current, max. No. of poles (Tu=20°C)	15 A
Rated current, no. of poles (Tu=40°C), min.	16 A	Rated current, no. of poles (Tu=40°C), max.	13 A
Rated voltage at overvoltage category/pollution degree III/3	250 V	Rated impulse withstand voltage for overvoltage class/pollution severity III/3	4 kV
Rated voltage for overvoltage class/pollution severity III/2	320 V	Rated impulse withstand voltage for overvoltage class/pollution severity III/2	4 kV
Rated voltage for overvoltage class/pollution severity II/2	400 V	Rated impulse withstand voltage for overvoltage class/pollution severity II/2	4 kV

CSA rating data

Rated voltage (Use group B)	300 V	Rated current (use group B)	15 A
Rated voltage (use group D)	300 V	Rated current (use group D)	10 A

UL 1059 rating data

Rated voltage (use group B)	300 V	Rated current (use group B)	15 A
Rated voltage (use group D)	300 V	Rated current (use group D)	10 A

Approvals

Approvals institutes	CSA; GOSTME25; UR; ROHS
----------------------	-------------------------

Classifications

ETIM 3.0	EC001284	eClass 5.1	27-26-07-04
eClass 6.0	27-26-07-04		

Datasheet

System pitch 5.08 mm (0.200 inch)
SL-SMT 5.08/06/90G 3.2SN BK BX

Weidmüller Interface GmbH & Co. KG
Klingenbergstraße 16
D-32758 Detmold
Germany
Fon: +49 5231 14-0
Fax: +49 5231 14-2083
www.weidmueller.com

Technical data**Notes**

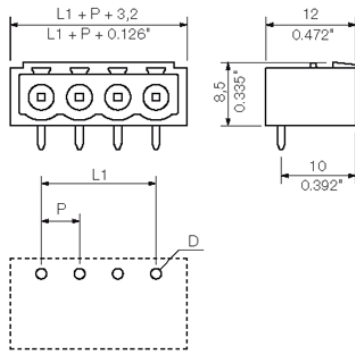
Notes

- Additional colours on request
- Gold-plated contact surfaces on request
- Rated current related to rated cross-section and min. No. of poles.
- Diameter of solder eyelet $D = 1.4 \pm 0.1$ mm
- Diameter of solder eyelet $D = 1.5 \pm 0.1$ mm from 9-pole
- P on drg. = pitch
- Rated data refer only to the component itself. Clearance and creepage distances to other components are to be designed in accordance with the relevant application standards.

Datasheet

System pitch 5.08 mm (0.200 inch)
SL-SMT 5.08/06/90G 3.2SN BK BX

Weidmüller Interface GmbH & Co. KG
Klingenbergstraße 16
D-32758 Detmold
Germany
Fon: +49 5231 14-0
Fax: +49 5231 14-2083
www.weidmueller.com

Drawings

System pitch 5.08 mm (0.200 inch) SL-SMT 5.08/06/90G 3.2SN BK BX

Weidmüller Interface GmbH & Co. KG
 Klingenbergstraße 16
 D-32758 Detmold
 Germany
 Fon: +49 5231 14-0
 Fax: +49 5231 14-2083
 www.weidmueller.com

Counterpart

BLZP 5.08/225 SN



Clamping-yoke wire connection with right-angled (90° or 270°) or angled (225°) outlet direction. The female connectors provide space for labelling and can be coded. Can be fastened with flange or release latch. They feature an integrated plus/minus screw, protection against false insertion under clamping yoke. They are delivered with an opened clamping yoke.

- 0.2-2.5 mm² (IEC) / 26-12 AWG (UL)
- 400 V (IEC) / 300 V (UL)
- 17.5 A (IEC) / 10 A (UL)

General ordering data

Order No.	Part designation	Version	GTIN (EAN)	Qty.	Packaging
1946290000	BLZP 5.08/06/225 SN OR BX	PCB plug-in connector, female plug, 5.08 mm, No. of poles: 6, 225°, Clamping yoke connection, Clamping range, max.: 4 mm ² , Box	4032248621866	60 pc(s).	Box
1946600000	BLZP 5.08/06/225 SN BK BX	PCB plug-in connector, female plug, 5.08 mm, No. of poles: 6, 225°, Clamping yoke connection, Clamping range, max.: 4 mm ² , Box	4032248622375	60 pc(s).	Box

BLZP 5.08/180 SN



Female connectors with clamping yoke screw connection for conductor connection with straight (180°) outlet direction. The female connectors provide space for labelling and can be coded. Can be fastened with flange or release latch. They feature an integrated plus/minus screw, protection against false insertion under clamping yoke. They are delivered with an opened clamping yoke.

- 0.2-2.5 mm² (IEC) / 26-12 AWG (UL)
- 400 V (IEC) / 300 V (UL)
- 19 A (IEC) / 15 A (UL)

General ordering data

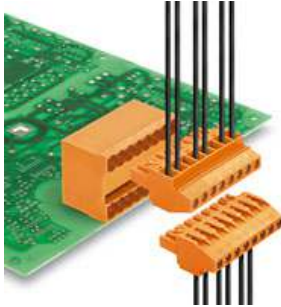
Order No.	Part designation	Version	GTIN (EAN)	Qty.	Packaging
1943850000	BLZP 5.08/06/180 SN BK BX	PCB plug-in connector, female plug, 5.08 mm, No. of poles: 6, 180°, Clamping yoke connection, Clamping range, max.: 4 mm ² , Box	4032248617999	45 pc(s).	Box
1943620000	BLZP 5.08/06/180 SN OR BX	PCB plug-in connector, female plug, 5.08 mm, No. of poles: 6, 180°, Clamping yoke connection, Clamping range, max.: 4 mm ² , Box	4032248617616	45 pc(s).	Box

System pitch 5.08 mm (0.200 inch) SL-SMT 5.08/06/90G 3.2SN BK BX

Weidmüller Interface GmbH & Co. KG
 Klingenbergstraße 16
 D-32758 Detmold
 Germany
 Fon: +49 5231 14-0
 Fax: +49 5231 14-2083
 www.weidmueller.com

Counterpart

BLZP 5.00/270 SN



Socket connectors with clamping yoke screw connection for conductor connection with a right-angle (90° or 270°) outlet direction. The female connectors provide space for labelling and can be coded. Can be fastened with flange or release latch. They feature an integrated plus/minus screw, protection against false insertion under clamping yoke. They are delivered with an opened clamping yoke.

- 0.2-2.5 mm² (IEC) / 26-12 AWG (UL)
- 400 V (IEC) / 300 V (UL)
- 15 A (IEC) / 10 A (UL)

General ordering data

Order No.	Part designation	Version	GTIN (EAN)	Qty.	Packaging
1958830000	BLZP 5.00/06/270 SN OR BX	PCB plug-in connector, female plug, 5.00 mm, No. of poles: 6, 90°, Clamping yoke connection, Clamping range, max.: 4 mm ² , Box	4032248637669	60 pc(s).	Box
1959060000	BLZP 5.00/06/270 SN BK BX	PCB plug-in connector, female plug, 5.00 mm, No. of poles: 6, 90°, Clamping yoke connection, Clamping range, max.: 4 mm ² , Box	4032248637997	60 pc(s).	Box

BLF 5.08/90 SN



Just as reliable as the tried-and-true original, with innovation in detail:

The BLF 5.0x – the PUSH-IN version of the BLZ 5.0x socket block – features a new connection system and a more compact design. Weidmüller's innovative PUSH-IN spring connection features a trend-setting, tool-free wire connection system that is simple to operate.

In terms of versatility, the BLF 5.0x offers just as much as the older versions:

- The choice of three wire outlet directions offers you proven design flexibility for your applications.
- Four flange variations, including the patented release latch, allow for user-friendly unplugging designs.

General ordering data

Order No.	Part designation	Version	GTIN (EAN)	Qty.	Packaging
1001570000	BLF 5.08/06/90 SN OR BX	PCB plug-in connector, female plug, 5.08 mm, No. of poles: 6, 90°, PUSH IN, Clamping range, max.: 3.31 mm ² , Box	4032248693375	60 pc(s).	Box
1000070001	BLF 5.08/06/90 SN BK BX	PCB plug-in connector, female plug, 5.08 mm, No. of poles: 6, 90°, PUSH IN, Clamping range, max.: 3.31 mm ² , Box	4032248690008	60 pc(s).	Box

System pitch 5.08 mm (0.200 inch) SL-SMT 5.08/06/90G 3.2SN BK BX

Weidmüller Interface GmbH & Co. KG
 Klingenbergstraße 16
 D-32758 Detmold
 Germany
 Fon: +49 5231 14-0
 Fax: +49 5231 14-2083
 www.weidmueller.com

Counterpart

BLZ 5.00/270



Female connectors with clamping yoke screw connection. The female connectors provide space for labelling and can be coded. Packed in cardboard box.

- 0.20 - 2.5 mm² (IEC) / 26 - 12 AWG (UL)
- 400 V (IEC) / 300 V (UL)
- 15 A (IEC) / 10 A (UL)

General ordering data

Order No.	Part designation	Version	GTIN (EAN)	Qty.	Packaging
1637850000	BLZ 5.00/06/270 SN BK BX	PCB plug-in connector, female plug, 5.00 mm, No. of poles: 6, 270°, Clamping yoke connection, Clamping range, max.: 3.31 mm ² , Box	4008190275099	60 pc(s).	Box
1637620000	BLZ 5.00/06/270 SN OR BX	PCB plug-in connector, female plug, 5.00 mm, No. of poles: 6, 270°, Clamping yoke connection, Clamping range, max.: 3.31 mm ² , Box	4008190274863	60 pc(s).	Box

BLL 5.08/180



Female connector for PCB mounting. The solder pin length is optimised for wave flow soldering. Packed in cardboard box.

- 400 V (IEC) / 300 V (UL)
- 23 A (IEC) / 15 A (UL)

General ordering data

Order No.	Part designation	Version	GTIN (EAN)	Qty.	Packaging
1630750000	BLL 5.08/06/180 3.2SN OR BX	PCB plug-in connector, female header, 5.08 mm, No. of poles: 6, 180°, Solder pin length: 3.2 mm, tinned, Orange, Solder connection, Box	4008190204174	50 pc(s).	Box

System pitch 5.08 mm (0.200 inch) SL-SMT 5.08/06/90G 3.2SN BK BX

Weidmüller Interface GmbH & Co. KG
Klingenbergstraße 16
D-32758 Detmold
Germany
Fon: +49 5231 14-0
Fax: +49 5231 14-2083
www.weidmueller.com

Counterpart

BLZF 5.08/180



Female connectors for connecting conductors with tension clamp system, straight 180° outlet direction. The female connectors include space for labelling and can be coded. Packed in cardboard box.

- 0.20 - 2.5 mm² (IEC) / 26 - 12 AWG (UL)
- 400 V (IEC) / 300 V (UL)
- 17 A (IEC) / 15 A (UL)

General ordering data

Order No.	Part designation	Version	GTIN (EAN)	Qty.	Packaging
1707730000	BLZF 5.08/06/180 SN BK BX	PCB plug-in connector, female plug, 5.08 mm, No. of poles: 6, 180°, Tension clamp connection, Clamping range, max.: 3.31 mm ² , Box	4008190316730	60 pc(s).	Box
1707500000	BLZF 5.08/06/180 SN OR BX	PCB plug-in connector, female plug, 5.08 mm, No. of poles: 6, 180°, Tension clamp connection, Clamping range, max.: 3.31 mm ² , Box	4008190395872	60 pc(s).	Box

BLF 5.00/90 SN



Just as reliable as the tried-and-true original, with innovation in detail:

The BLF 5.0x – the PUSH-IN version of the BLZ 5.0x socket block – features a new connection system and a more compact design. Weidmüller's innovative PUSH-IN spring connection features a trend-setting, tool-free wire connection system that is simple to operate.

In terms of versatility, the BLF 5.0x offers just as much as the older versions:

- The choice of three wire outlet directions offers you proven design flexibility for your applications.
- Four flange variations, including the patented release latch, allow for user-friendly unplugging designs.

General ordering data

Order No.	Part designation	Version	GTIN (EAN)	Qty.	Packaging
1979310000	BLF 5.00/06/90 SN BK BX	PCB plug-in connector, female plug, 5.00 mm, No. of poles: 6, 90°, PUSH IN, Clamping range, max.: 3.31 mm ² , Box	4032248674510	60 pc(s).	Box
1980210000	BLF 5.00/06/90 SN OR BX	PCB plug-in connector, female plug, 5.00 mm, No. of poles: 6, 90°, PUSH IN, Clamping range, max.: 3.31 mm ² , Box	4032248675296	60 pc(s).	Box

System pitch 5.08 mm (0.200 inch) SL-SMT 5.08/06/90G 3.2SN BK BX

Weidmüller Interface GmbH & Co. KG
 Klingenbergstraße 16
 D-32758 Detmold
 Germany
 Fon: +49 5231 14-0
 Fax: +49 5231 14-2083
 www.weidmueller.com

Counterpart

BLIDC 5.08



Female connectors for conductor connection with IDC system. The female connectors provide space for labelling and can be coded. Packed in cardboard box.

- 0.35 - 0.75 mm² (IEC) / 22 - 20 AWG (UL)
- 400 V (IEC) / 300 V (UL)
- 11 A (IEC) / 5 A (UL)

General ordering data

Order No.	Part designation	Version	GTIN (EAN)	Qty.	Packaging
1724980000	BLIDC 5.08/06/180 SN OR BX	PCB plug-in connector, female plug, 5.08 mm, No. of poles: 6, 180°, IDC terminal, Clamping range, max.: 0.75 mm ² , Box	4008190377328	50 pc(s).	Box

BLZP 5.00/90 SN



Socket connectors with clamping yoke screw connection for conductor connection with a right-angle (90° or 270°) outlet direction. The female connectors provide space for labelling and can be coded. Can be fastened with flange or release latch. They feature an integrated plus/minus screw, protection against false insertion under clamping yoke. They are delivered with an opened clamping yoke.

- 0.2-2.5 mm² (IEC) / 26-12 AWG (UL)
- 400 V (IEC) / 300 V (UL)
- 15 A (IEC) / 10 A (UL)

General ordering data

Order No.	Part designation	Version	GTIN (EAN)	Qty.	Packaging
1958610000	BLZP 5.00/06/90 SN BK BX	PCB plug-in connector, female plug, 5.00 mm, No. of poles: 6, 90°, Clamping yoke connection, Clamping range, max.: 4 mm ² , Box	4032248637348	60 pc(s).	Box
1958260000	BLZP 5.00/06/90 SN OR BX	PCB plug-in connector, female plug, 5.00 mm, No. of poles: 6, 90°, Clamping yoke connection, Clamping range, max.: 4 mm ² , Box	4032248637126	60 pc(s).	Box

System pitch 5.08 mm (0.200 inch) SL-SMT 5.08/06/90G 3.2SN BK BX

Weidmüller Interface GmbH & Co. KG
 Klingenbergstraße 16
 D-32758 Detmold
 Germany
 Fon: +49 5231 14-0
 Fax: +49 5231 14-2083
 www.weidmueller.com

Counterpart

BLZ 5.00/90



Female connectors with clamping yoke screw connection. The female connectors provide space for labelling and can be coded. Packed in cardboard box.

- 0.20 - 2.5 mm² (IEC) / 26 - 12 AWG (UL)
- 400 V (IEC) / 300 V (UL)
- 15 A (IEC) / 10 A (UL)

General ordering data

Order No.	Part designation	Version	GTIN (EAN)	Qty.	Packaging
1636930000	BLZ 5.00/06/90 SN BK BX	PCB plug-in connector, female plug, 5.00 mm, No. of poles: 6, 90°, Clamping yoke connection, Clamping range, max.: 3.31 mm ² , Box	4008190274177	60 pc(s).	Box
1635980000	BLZ 5.00/06/90 SN OR BX	PCB plug-in connector, female plug, 5.00 mm, No. of poles: 6, 90°, Clamping yoke connection, Clamping range, max.: 3.31 mm ² , Box	4008190265816	60 pc(s).	Box

BLZF 5.08/90



Female connectors for connecting conductors with tension clamp system. The female connectors include space for labelling and can be coded. Packed in cardboard box.

- 0.20 - 2.5 mm² (IEC) / 26 - 12 AWG (UL)
- 400 V (IEC) / 300 V (UL)
- 16.5 A (IEC) / 10 A (UL)

General ordering data

Order No.	Part designation	Version	GTIN (EAN)	Qty.	Packaging
1671060000	BLZF 5.08/06/90 SN BK BX	PCB plug-in connector, female plug, 5.08 mm, No. of poles: 6, 90°, Tension clamp connection, Clamping range, max.: 3.31 mm ² , Box	4008190432737	60 pc(s).	Box
1670830000	BLZF 5.08/06/90 SN OR BX	PCB plug-in connector, female plug, 5.08 mm, No. of poles: 6, 90°, Tension clamp connection, Clamping range, max.: 3.31 mm ² , Box	4008190432430	50 pc(s).	Box

**System pitch 5.08 mm (0.200 inch)
SL-SMT 5.08/06/90G 3.2SN BK BX**

Weidmüller Interface GmbH & Co. KG
Klingenbergstraße 16
D-32758 Detmold
Germany
Fon: +49 5231 14-0
Fax: +49 5231 14-2083
www.weidmueller.com

Counterpart
BL 5.00


Female connectors for conductor connection in leaf spring system. Packed in cardboard box. The female connectors provide space for labelling. Packed in cardboard box.

- 0.2 - 1.5 mm² (IEC) / 26 - 14 AWG (UL)
- 400 V (IEC) / 300 V (UL)
- 11 A (IEC) / 10 A (UL)

General ordering data

Order No.	Part designation	Version	GTIN (EAN)	Qty.	Packaging
1730740000	BL 5.00/06/180 SN BK BX	PCB plug-in connector, female plug, 5.00 mm, No. of poles: 6, 180°, Leaf spring connection, Clamping range, max.: 2.08 mm ² , Box	4008190387297	50 pc(s).	Box
1723150000	BL 5.00/06/180 SN OR BX	PCB plug-in connector, female plug, 5.00 mm, No. of poles: 6, 180°, Leaf spring connection, Clamping range, max.: 2.08 mm ² , Box	4032248002559	50 pc(s).	Box

BLZP 5.00/180 SN


Female connectors with clamping yoke screw connection for conductor connection with straight (180°) outlet direction. The female connectors provide space for labelling and can be coded. Can be fastened with flange or release latch. They feature an integrated plus/minus screw, protection against false insertion under clamping yoke. They are delivered with an opened clamping yoke.

- 0.2-2.5 mm² (IEC) / 26-12 AWG (UL)
- 400 V (IEC) / 300 V (UL)
- 19 A (IEC) / 15 A (UL)

General ordering data

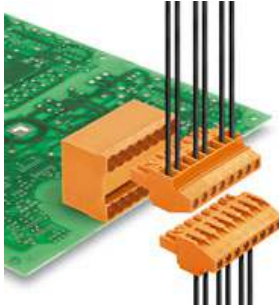
Order No.	Part designation	Version	GTIN (EAN)	Qty.	Packaging
1954450000	BLZP 5.00/06/180 SN OR BX	PCB plug-in connector, female plug, 5.00 mm, No. of poles: 6, 180°, Clamping yoke connection, Clamping range, max.: 4 mm ² , Box	4032248633166	45 pc(s).	Box
1955530000	BLZP 5.00/06/180 SN BK BX	PCB plug-in connector, female plug, 5.00 mm, No. of poles: 6, 180°, Clamping yoke connection, Clamping range, max.: 4 mm ² , Box	4032248634026	45 pc(s).	Box

System pitch 5.08 mm (0.200 inch) SL-SMT 5.08/06/90G 3.2SN BK BX

Weidmüller Interface GmbH & Co. KG
 Klingenbergstraße 16
 D-32758 Detmold
 Germany
 Fon: +49 5231 14-0
 Fax: +49 5231 14-2083
 www.weidmueller.com

Counterpart

BLZP 5.08/270 SN



Socket connectors with clamping yoke screw connection for conductor connection with a right-angle (90° or 270°) outlet direction. The female connectors provide space for labelling and can be coded. Can be fastened with flange or release latch. They feature an integrated plus/minus screw, protection against false insertion under clamping yoke. They are delivered with an opened clamping yoke.

- 0.2-2.5 mm² (IEC) / 26-12 AWG (UL)
- 400 V (IEC) / 300 V (UL)
- 15 A (IEC) / 10 A (UL)

General ordering data

Order No.	Part designation	Version	GTIN (EAN)	Qty.	Packaging
1949060000	BLZP 5.08/06/270 SN BK BX	PCB plug-in connector, female plug, 5.08 mm, No. of poles: 6, 270°, Clamping yoke connection, Clamping range, max.: 4 mm ² , Box	4032248626519	60 pc(s).	Box
1948830000	BLZP 5.08/06/270 SN OR BX	PCB plug-in connector, female plug, 5.08 mm, No. of poles: 6, 270°, Clamping yoke connection, Clamping range, max.: 4 mm ² , Box	4032248626281	60 pc(s).	Box

BLIDC 5.08B



Female connectors for conductor connection with IDC system. The female connectors provide space for labelling and can be coded. Packed in cardboard box.

- 0.35 - 0.75 mm² (IEC) / 22 - 20 AWG (UL)
- 400 V (IEC) / 300 V (UL)
- 11 A (IEC) / 5 A (UL)

General ordering data

Order No.	Part designation	Version	GTIN (EAN)	Qty.	Packaging
1759540000	BLIDC 5.08/06/180B SN OR BX	PCB plug-in connector, female plug, 5.08 mm, No. of poles: 6, 180°, IDC terminal, Clamping range, max.: 0.75 mm ² , Box	4032248069774	50 pc(s).	Box
1759650000	BLIDC 5.08/06/180B SN BK BX	PCB plug-in connector, female plug, 5.08 mm, No. of poles: 6, 180°, IDC terminal, Clamping range, max.: 0.75 mm ² , Box	4032248069880	50 pc(s).	Box

System pitch 5.08 mm (0.200 inch) SL-SMT 5.08/06/90G 3.2SN BK BX

Weidmüller Interface GmbH & Co. KG
Klingenbergstraße 16
D-32758 Detmold
Germany
Fon: +49 5231 14-0
Fax: +49 5231 14-2083
www.weidmueller.com

Counterpart

BLZFS 5.00/180



Female connectors for connecting conductors with tension clamp system, straight 180° outlet direction in thin-element design. The female connectors include space for labelling and can be coded. Packed in cardboard box.

- 0.20 - 2.5 mm² (IEC) / 26 - 14 AWG (UL)
- 400 V (IEC) / 300 V (UL)
- 17 A (IEC) / 10 A (UL)

General ordering data

Order No.	Part designation	Version	GTIN (EAN)	Qty.	Packaging
1696410000	BLZFS 5.00/06/180 SN OR BX	PCB plug-in connector, female plug, 5.00 mm, No. of poles: 6, 180°, Tension clamp connection, Clamping range, max.: 2.5 mm ² , Box	4008190878436	50 pc(s).	Box
1696640000	BLZFS 5.00/06/180 SN BK BX	PCB plug-in connector, female plug, 5.00 mm, No. of poles: 6, 180°, Tension clamp connection, Clamping range, max.: 2.5 mm ² , Box	4008190878665	50 pc(s).	Box

BL 5.08



Female connectors for conductor connection in leaf spring system. Packed in cardboard box. The female connectors provide space for labelling. Packed in cardboard box.

- 0.2 - 1.5 mm² (IEC) / 26 - 14 AWG (UL)
- 400 V (IEC) / 300 V (UL)
- 11 A (IEC) / 10 A (UL)

General ordering data

Order No.	Part designation	Version	GTIN (EAN)	Qty.	Packaging
1716510000	BL 5.08/06/180 SN BK BX	PCB plug-in connector, female plug, 5.08 mm, No. of poles: 6, 180°, Leaf spring connection, Clamping range, max.: 2.08 mm ² , Box	4008190376581	50 pc(s).	Box
1723870000	BL 5.08/06/180 SN DKGX BX	PCB plug-in connector, female plug, 5.08 mm, No. of poles: 6, 180°, Leaf spring connection, Clamping range, max.: 2.08 mm ² , Box	4008190376239	50 pc(s).	Box
1716360000	BL 5.08/06/180 SN OR BX	PCB plug-in connector, female plug, 5.08 mm, No. of poles: 6, 180°, Leaf spring connection,	4008190376390	50 pc(s).	Box

System pitch 5.08 mm (0.200 inch) SL-SMT 5.08/06/90G 3.2SN BK BX

Weidmüller Interface GmbH & Co. KG
Klingenbergstraße 16
D-32758 Detmold
Germany
Fon: +49 5231 14-0
Fax: +49 5231 14-2083
www.weidmueller.com

Counterpart

Clamping range, max.: 2.08
mm², Box

BLZ 5.00/180



Female connectors with clamping yoke screw connection for conductor connection with straight outlet direction. The female connectors provide space for labelling and can be coded. Packed in cardboard box.

- 0.20 - 2.5 mm² (IEC) / 26 - 12 AWG (UL)
- 400 V (IEC) / 300 V (UL)
- 19 A (IEC) / 15 A (UL)

General ordering data

Order No.	Part designation	Version	GTIN (EAN)	Qty.	Packaging
1571390000	BLZ 5.00/06/180 SN OR BX	PCB plug-in connector, female plug, 5.00 mm, No. of poles: 6, 180°, Clamping yoke connection, Clamping range, max.: 3.31 mm ² , Box	4008190018795	50 pc(s).	Box
1596090000	BLZ 5.00/06/180 SN BK BX	PCB plug-in connector, female plug, 5.00 mm, No. of poles: 6, 180°, Clamping yoke connection, Clamping range, max.: 3.31 mm ² , Box	4008190034245	50 pc(s).	Box

BLT 5.08



Female connectors with TOP screw system for connecting conductors with straight 180° outlet direction. The female connectors include space for labelling and can be coded. Packed in cardboard box.

- 0.20 - 2.5 mm² (IEC) / 26 - 14 AWG (UL)
- 400 V (IEC) / 300 V (UL)
- 17 A (IEC) / 10 A (UL)

General ordering data

Order No.	Part designation	Version	GTIN (EAN)	Qty.	Packaging
1499910000	BLT 5.08/06/180 SN BK BX	PCB plug-in connector, female plug, 5.08 mm, No. of poles: 6, 180°, TOP connection, Clamping range, max.: 2.5 mm ² , Box	4008190279363	60 pc(s).	Box
1499960000	BLT 5.08/06/180 SN OR BX	PCB plug-in connector, female plug, 5.08 mm, No. of poles: 6, 180°, TOP connection,	4008190140953	60 pc(s).	Box

System pitch 5.08 mm (0.200 inch) SL-SMT 5.08/06/90G 3.2SN BK BX

Weidmüller Interface GmbH & Co. KG
Klingenbergstraße 16
D-32758 Detmold
Germany
Fon: +49 5231 14-0
Fax: +49 5231 14-2083
www.weidmueller.com

Counterpart

Clamping range, max.: 2.5
mm², Box

BLC 5.08R



Female connectors for conductor connection with crimp connection system. The female connectors provide space for labelling and can be coded. Packed in cardboard box.

- 0.25 - 2.5 mm² (IEC) / 26 - 14 AWG (UL)
- 400 V (IEC) / 300 V (UL)
- 21 A (IEC) / 10 A (UL)

General ordering data

Order No.	Part designation	Version	GTIN (EAN)	Qty.	Packaging
1712000000	BLC 5.08/06/180R BK BX	PCB plug-in connector, female plug, 5.08 mm, No. of poles: 6, 180°, Crimp connection, Clamping range, max.: 2.5 mm ² , Box	4008190935016	50 pc(s).	Box
1610530000	BLC 5.08/06/180R OR BX	PCB plug-in connector, female plug, 5.08 mm, No. of poles: 6, 180°, Crimp connection, Clamping range, max.: 2.5 mm ² , Box	4008190123819	50 pc(s).	Box

BLZ 5.08/180



Female connectors with clamping yoke screw connection for conductor connection with straight outlet direction. The female connectors provide space for labelling and can be coded. Packed in cardboard box.

- 0.20 - 2.5 mm² (IEC) / 26 - 12 AWG (UL)
- 400 V (IEC) / 300 V (UL)
- 19 A (IEC) / 15 A (UL)

General ordering data

Order No.	Part designation	Version	GTIN (EAN)	Qty.	Packaging
1526810000	BLZ 5.08/06/180 SN BK BX	PCB plug-in connector, female plug, 5.08 mm, No. of poles: 6, 180°, Clamping yoke connection, Clamping range, max.: 3.31 mm ² , Box	4008190163891	50 pc(s).	Box
1526860000	BLZ 5.08/06/180 SN OR BX	PCB plug-in connector, female plug, 5.08 mm, No. of poles: 6, 180°, Clamping yoke	4008190039448	50 pc(s).	Box

System pitch 5.08 mm (0.200 inch) SL-SMT 5.08/06/90G 3.2SN BK BX

Weidmüller Interface GmbH & Co. KG
 Klingenbergstraße 16
 D-32758 Detmold
 Germany
 Fon: +49 5231 14-0
 Fax: +49 5231 14-2083
 www.weidmueller.com

Counterpart

connection, Clamping range,
 max.: 3.31 mm², Box

BLDT 5.08



Female connectors with two clamping yoke screw connections per pole for conductor connection with 90° & 270° outlet direction. The female connectors provide space for labelling and can be coded. Packed in cardboard box.

- 0.20 - 2.5 mm² (IEC) / 26 - 12 AWG (UL)
- 400 V (IEC) / 300 V (UL)
- 14 A (IEC) / 10 A (UL)

General ordering data

Order No.	Part designation	Version	GTIN (EAN)	Qty.	Packaging
1644770000	BLDT 5.08/06/- SN OR BX	PCB plug-in connector, female plug, 5.08 mm, No. of poles: 6, 90°/270°, Clamping yoke connection, Clamping range, max.: 3.31 mm ² , Box	4008190283988	50 pc(s).	Box
1660750000	BLDT 5.08/06/- SN BK BX	PCB plug-in connector, female plug, 5.08 mm, No. of poles: 6, 90°/270°, Clamping yoke connection, Clamping range, max.: 3.31 mm ² , Box	4008190417208	50 pc(s).	Box

BLZ 5.08/90



Female connectors with clamping yoke screw connection. The female connectors provide space for labelling and can be coded. Packed in cardboard box.

- 0.20 - 2.5 mm² (IEC) / 26 - 12 AWG (UL)
- 400 V (IEC) / 300 V (UL)
- 15 A (IEC) / 10 A (UL)

General ordering data

Order No.	Part designation	Version	GTIN (EAN)	Qty.	Packaging
1553160000	BLZ 5.08/06/90 SN OR BX	PCB plug-in connector, female plug, 5.08 mm, No. of poles: 6, 90°, Clamping yoke connection, Clamping range, max.: 3.31 mm ² , Box	4008190075804	60 pc(s).	Box
1553110000	BLZ 5.08/06/90 SN BK BX	PCB plug-in connector, female plug, 5.08 mm, No. of poles: 6, 90°, Clamping yoke connection,	4008190267742	60 pc(s).	Box

System pitch 5.08 mm (0.200 inch) SL-SMT 5.08/06/90G 3.2SN BK BX

Weidmüller Interface GmbH & Co. KG
Klingenbergstraße 16
D-32758 Detmold
Germany
Fon: +49 5231 14-0
Fax: +49 5231 14-2083
www.weidmueller.com

Counterpart

Clamping range, max.: 3.31
mm², Box

BLL 5.08/90



Female connector for PCB mounting. The solder pin length is optimised for wave flow soldering. Packed in cardboard box.

- 400 V (IEC) / 300 V (UL)
- 23 A (IEC) / 15 A (UL)

General ordering data

Order No.	Part designation	Version	GTIN (EAN)	Qty.	Packaging
1622980000	BLL 5.08/06/90 3.2SN OR BX	PCB plug-in connector, female header, 5.08 mm, No. of poles: 6, 90°, Solder pin length: 3.2 mm, tinned, Orange, Solder connection, Box	4008190279301	50 pc(s).	Box

BLZ 5.08/225



Female connectors with clamping yoke screw connection for conductor connection with 225° outlet direction. The female connectors provide space for labelling and can be coded. Packed in cardboard box.

- 0.20 - 2.5 mm² (IEC) / 26 - 12 AWG (UL)
- 400 V (IEC) / 300 V (UL)
- 16.5 A (IEC) / 10 A (UL)

General ordering data

Order No.	Part designation	Version	GTIN (EAN)	Qty.	Packaging
1741680000	BLZ 5.08/06/225 SN OR BX	PCB plug-in connector, female plug, 5.08 mm, No. of poles: 6, 225°, Clamping yoke connection, Clamping range, max.: 3.31 mm ² , Box	4008190215682	60 pc(s).	Box
1741910000	BLZ 5.08/06/225 SN BK BX	PCB plug-in connector, female plug, 5.08 mm, No. of poles: 6, 225°, Clamping yoke connection, Clamping range, max.: 3.31 mm ² , Box	4008190255763	60 pc(s).	Box

System pitch 5.08 mm (0.200 inch) SL-SMT 5.08/06/90G 3.2SN BK BX

Weidmüller Interface GmbH & Co. KG
 Klingenbergstraße 16
 D-32758 Detmold
 Germany
 Fon: +49 5231 14-0
 Fax: +49 5231 14-2083
 www.weidmueller.com

Counterpart

BLZ 5.08/270



Female connectors with clamping yoke screw connection. The female connectors provide space for labelling and can be coded. Packed in cardboard box.

- 0.20 - 2.5 mm² (IEC) / 26 - 12 AWG (UL)
- 400 V (IEC) / 300 V (UL)
- 15 A (IEC) / 10 A (UL)

General ordering data

Order No.	Part designation	Version	GTIN (EAN)	Qty.	Packaging
1557760000	BLZ 5.08/06/270 SN OR BX	PCB plug-in connector, female plug, 5.08 mm, No. of poles: 6, 270°, Clamping yoke connection, Clamping range, max.: 3.31 mm ² , Box	4008190145910	60 pc(s).	Box
1557710000	BLZ 5.08/06/270 SN BK BX	PCB plug-in connector, female plug, 5.08 mm, No. of poles: 6, 270°, Clamping yoke connection, Clamping range, max.: 3.31 mm ² , Box	4008190269463	60 pc(s).	Box

BLZF 5.08/270



Female connectors for connecting conductors with tension clamp system. The female connectors include space for labelling and can be coded. Packed in cardboard box.

- 0.20 - 2.5 mm² (IEC) / 26 - 12 AWG (UL)
- 400 V (IEC) / 300 V (UL)
- 16.5 A (IEC) / 10 A (UL)

General ordering data

Order No.	Part designation	Version	GTIN (EAN)	Qty.	Packaging
1672210000	BLZF 5.08/06/270 SN BK BX	PCB plug-in connector, female plug, 5.08 mm, No. of poles: 6, 270°, Tension clamp connection, Clamping range, max.: 3.31 mm ² , Box	4008190433925	60 pc(s).	Box
1671980000	BLZF 5.08/06/270 SN OR BX	PCB plug-in connector, female plug, 5.08 mm, No. of poles: 6, 270°, Tension clamp connection, Clamping range, max.: 3.31 mm ² , Box	4008190433697	60 pc(s).	Box

System pitch 5.08 mm (0.200 inch) SL-SMT 5.08/06/90G 3.2SN BK BX

Weidmüller Interface GmbH & Co. KG
 Klingenbergstraße 16
 D-32758 Detmold
 Germany
 Fon: +49 5231 14-0
 Fax: +49 5231 14-2083
 www.weidmueller.com

Counterpart

BLZP 5.08/270F SN



Socket connectors with clamping yoke screw connection for conductor connection with a right-angle (90° or 270°) outlet direction. The female connectors provide space for labelling and can be coded. Can be fastened with flange or release latch. They feature an integrated plus/minus screw, protection against false insertion under clamping yoke. They are delivered with an opened clamping yoke.

- 0.2-2.5 mm² (IEC) / 26-12 AWG (UL)
- 400 V (IEC) / 300 V (UL)
- 15 A (IEC) / 10 A (UL)

General ordering data

Order No.	Part designation	Version	GTIN (EAN)	Qty.	Packaging
1950350000	BLZP 5.08/06/270F SN OR BX	PCB plug-in connector, female plug, 5.08 mm, No. of poles: 6, 270°, Clamping yoke connection, Clamping range, max.: 4 mm ² , Box	4032248628476	42 pc(s).	Box
1950620000	BLZP 5.08/06/270F SN BK BX	PCB plug-in connector, female plug, 5.08 mm, No. of poles: 6, 270°, Clamping yoke connection, Clamping range, max.: 4 mm ² , Box	4032248628896	42 pc(s).	Box

BLZP 5.08/180F SN



Female connectors with clamping yoke screw connection for conductor connection with straight (180°) outlet direction. The female connectors provide space for labelling and can be coded. Can be fastened with flange or release latch. They feature an integrated plus/minus screw, protection against false insertion under clamping yoke. They are delivered with an opened clamping yoke.

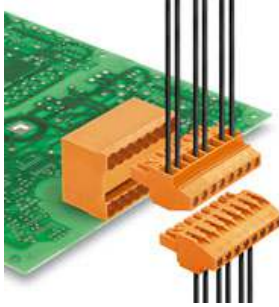
- 0.2-2.5 mm² (IEC) / 26-12 AWG (UL)
- 400 V (IEC) / 300 V (UL)
- 19 A (IEC) / 15 A (UL)

General ordering data

Order No.	Part designation	Version	GTIN (EAN)	Qty.	Packaging
1944130000	BLZP 5.08/06/180F SN OR BX	PCB plug-in connector, female plug, 5.08 mm, No. of poles: 6, 180°, Clamping yoke connection, Clamping range, max.: 4 mm ² , Box	4032248618712	45 pc(s).	Box
1944370000	BLZP 5.08/06/180F SN BK BX	PCB plug-in connector, female plug, 5.08 mm, No. of poles: 6, 180°, Clamping yoke connection, Clamping range, max.: 4 mm ² , Box	4032248618941	45 pc(s).	Box

**System pitch 5.08 mm (0.200 inch)
SL-SMT 5.08/06/90G 3.2SN BK BX**

Weidmüller Interface GmbH & Co. KG
Klingenbergstraße 16
D-32758 Detmold
Germany
Fon: +49 5231 14-0
Fax: +49 5231 14-2083
www.weidmueller.com

Counterpart
BLZP 5.00/270F SN


Socket connectors with clamping yoke screw connection for conductor connection with a right-angle (90° or 270°) outlet direction. The female connectors provide space for labelling and can be coded. Can be fastened with flange or release latch. They feature an integrated plus/minus screw, protection against false insertion under clamping yoke. They are delivered with an opened clamping yoke.

- 0.2-2.5 mm² (IEC) / 26-12 AWG (UL)
- 400 V (IEC) / 300 V (UL)
- 15 A (IEC) / 10 A (UL)

General ordering data

Order No.	Part designation	Version	GTIN (EAN)	Qty.	Packaging
1960690000	BLZP 5.00/06/270F SN BK BX	PCB plug-in connector, female plug, 5.00 mm, No. of poles: 6, 90°, Clamping yoke connection, Clamping range, max.: 4 mm ² , Box	4032248639489	42 pc(s).	Box
1960420000	BLZP 5.00/06/270F SN OR BX	PCB plug-in connector, female plug, 5.00 mm, No. of poles: 6, 90°, Clamping yoke connection, Clamping range, max.: 4 mm ² , Box	4032248639281	42 pc(s).	Box

BLZ 5.00/90B


Female connectors with clamping yoke screw connection. The female connectors provide space for labelling and can be coded. Packed in cardboard box.

- 0.20 - 2.5 mm² (IEC) / 26 - 12 AWG (UL)
- 400 V (IEC) / 300 V (UL)
- 15 A (IEC) / 10 A (UL)

General ordering data

Order No.	Part designation	Version	GTIN (EAN)	Qty.	Packaging
1637160000	BLZ 5.00/06/90B SN OR BX	PCB plug-in connector, female plug, 5.00 mm, No. of poles: 6, 90°, Clamping yoke connection, Clamping range, max.: 3.31 mm ² , Box	4008190274405	54 pc(s).	Box

**System pitch 5.08 mm (0.200 inch)
SL-SMT 5.08/06/90G 3.2SN BK BX**

Weidmüller Interface GmbH & Co. KG
Klingenbergstraße 16
D-32758 Detmold
Germany
Fon: +49 5231 14-0
Fax: +49 5231 14-2083
www.weidmueller.com

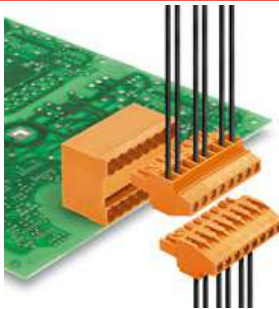
Counterpart
BLZ 5.08/180LH


Socket connectors with clamping yoke screw connection for conductor connection with 270° outlet direction and release lever or release latch mechanism. The female connectors provide space for labelling and can be coded. Packed in cardboard box.br/>

- 0.20–1.5 mm² (IEC) / 26–12 AWG (UL)
- 400 V (IEC) / 300 V (UL)
- 19 A (IEC) / 15 A (UL)

General ordering data

Order No.	Part designation	Version	GTIN (EAN)	Qty.	Packaging
1893640000	BLZ 5.08/06/180LH SN BK BX	PCB plug-in connector, female plug, 5.08 mm, No. of poles: 6, 180°, Clamping yoke connection, Clamping range, max.: 3.31 mm ² , Box	4032248507825	50 pc(s).	Box
1892230000	BLZ 5.08/06/180LH SN OR BX	PCB plug-in connector, female plug, 5.08 mm, No. of poles: 6, 180°, Clamping yoke connection, Clamping range, max.: 3.31 mm ² , Box	4032248505630	50 pc(s).	Box

BLZP 5.08/90F SN


Socket connectors with clamping yoke screw connection for conductor connection with a right-angle (90° or 270°) outlet direction. The female connectors provide space for labelling and can be coded. Can be fastened with flange or release latch. They feature an integrated plus/minus screw, protection against false insertion under clamping yoke. They are delivered with an opened clamping yoke.

- 0.2-2.5 mm² (IEC) / 26-12 AWG (UL)
- 400 V (IEC) / 300 V (UL)
- 15 A (IEC) / 10 A (UL)

General ordering data

Order No.	Part designation	Version	GTIN (EAN)	Qty.	Packaging
1949840000	BLZP 5.08/06/90F SN OR BX	PCB plug-in connector, female plug, 5.08 mm, No. of poles: 6, 90°, Clamping yoke connection, Clamping range, max.: 4 mm ² , Box	4032248627769	42 pc(s).	Box
1950080000	BLZP 5.08/06/90F SN BK BX	PCB plug-in connector, female plug, 5.08 mm, No. of poles: 6, 90°, Clamping yoke connection, Clamping range, max.: 4 mm ² , Box	4032248628018	42 pc(s).	Box

System pitch 5.08 mm (0.200 inch) SL-SMT 5.08/06/90G 3.2SN BK BX

Weidmüller Interface GmbH & Co. KG
 Klingenbergstraße 16
 D-32758 Detmold
 Germany
 Fon: +49 5231 14-0
 Fax: +49 5231 14-2083
 www.weidmueller.com

Counterpart

BLZP 5.00/180F SN



Female connectors with clamping yoke screw connection for conductor connection with straight (180°) outlet direction. The female connectors provide space for labelling and can be coded. Can be fastened with flange or release latch. They feature an integrated plus/minus screw, protection against false insertion under clamping yoke. They are delivered with an opened clamping yoke.

- 0.2-2.5 mm² (IEC) / 26-12 AWG (UL)
- 400 V (IEC) / 300 V (UL)
- 19 A (IEC) / 15 A (UL)

General ordering data

Order No.	Part designation	Version	GTIN (EAN)	Qty.	Packaging
1955760000	BLZP 5.00/06/180F SN OR BX	PCB plug-in connector, female plug, 5.00 mm, No. of poles: 6, 180°, Clamping yoke connection, Clamping range, max.: 4 mm ² , Box	4032248634309	45 pc(s).	Box
1955990000	BLZP 5.00/06/180F SN BK BX	PCB plug-in connector, female plug, 5.00 mm, No. of poles: 6, 180°, Clamping yoke connection, Clamping range, max.: 4 mm ² , Box	4032248634569	45 pc(s).	Box

BLZP 5.00/270LH SN



Socket connectors with clamping yoke screw connection for conductor connection with a right-angle (90° or 270°) outlet direction. The female connectors provide space for labelling and can be coded. Can be fastened with flange or release latch. They feature an integrated plus/minus screw, protection against false insertion under clamping yoke. They are delivered with an opened clamping yoke.

- 0.2-2.5 mm² (IEC) / 26-12 AWG (UL)
- 400 V (IEC) / 300 V (UL)
- 15 A (IEC) / 10 A (UL)

General ordering data

Order No.	Part designation	Version	GTIN (EAN)	Qty.	Packaging
1961400000	BLZP 5.00/06/270LH SN OR BX	PCB plug-in connector, female plug, 5.00 mm, No. of poles: 6, 90°, Clamping yoke connection, Clamping range, max.: 4 mm ² , Box	4032248640676	42 pc(s).	Box
1961630000	BLZP 5.00/06/270LH SN BK BX	PCB plug-in connector, female plug, 5.00 mm, No. of poles: 6, 90°, Clamping yoke connection, Clamping range, max.: 4 mm ² , Box	4032248640904	42 pc(s).	Box

System pitch 5.08 mm (0.200 inch) SL-SMT 5.08/06/90G 3.2SN BK BX

Weidmüller Interface GmbH & Co. KG
 Klingenbergstraße 16
 D-32758 Detmold
 Germany
 Fon: +49 5231 14-0
 Fax: +49 5231 14-2083
 www.weidmueller.com

Counterpart

BLZ 5.08/180F



Female connectors with clamping yoke screw connection for conductor connection with straight outlet direction. The female connectors provide space for labelling and can be coded. Packed in cardboard box.

- 0.20 - 2.5 mm² (IEC) / 26 - 12 AWG (UL)
- 400 V (IEC) / 300 V (UL)
- 19 A (IEC) / 15 A (UL)

General ordering data

Order No.	Part designation	Version	GTIN (EAN)	Qty.	Packaging
1802870000	BLZ 5.08/06/180F SN OR BX	PCB plug-in connector, female plug, 5.08 mm, No. of poles: 6, 180°, Clamping yoke connection, Clamping range, max.: 3.31 mm ² , Box	4032248257942	50 pc(s).	Box
1803080000	BLZ 5.08/06/180F SN BK BX	PCB plug-in connector, female plug, 5.08 mm, No. of poles: 6, 180°, Clamping yoke connection, Clamping range, max.: 3.31 mm ² , Box	4032248258185	50 pc(s).	Box

BLT 5.08F



Female connectors with TOP screw system for connecting conductors with straight 180° outlet direction. The female connectors include space for labelling and can be coded. Packed in cardboard box.

- 0.20 - 2.5 mm² (IEC) / 26 - 14 AWG (UL)
- 400 V (IEC) / 300 V (UL)
- 17 A (IEC) / 10 A (UL)

General ordering data

Order No.	Part designation	Version	GTIN (EAN)	Qty.	Packaging
1844030000	BLT 5.08/06/180F SN OR BX	PCB plug-in connector, female plug, 5.08 mm, No. of poles: 6, 180°, TOP connection, Clamping range, max.: 2.5 mm ² , Box	4032248355952	50 pc(s).	Box
1844260000	BLT 5.08/06/180F SN BK BX	PCB plug-in connector, female plug, 5.08 mm, No. of poles: 6, 180°, TOP connection, Clamping range, max.: 2.5 mm ² , Box	4032248356195	42 pc(s).	Box

System pitch 5.08 mm (0.200 inch) SL-SMT 5.08/06/90G 3.2SN BK BX

Weidmüller Interface GmbH & Co. KG
 Klingenbergstraße 16
 D-32758 Detmold
 Germany
 Fon: +49 5231 14-0
 Fax: +49 5231 14-2083
 www.weidmueller.com

Counterpart

BLL 5.08/90FI



Female connector for PCB mounting. The solder pin length is optimised for wave flow soldering. Packed in cardboard box.

- 400 V (IEC) / 300 V (UL)
- 23 A (IEC) / 15 A (UL)

General ordering data

Order No.	Part designation	Version	GTIN (EAN)	Qty.	Packaging
1843790000	BLL 5.08/06/90FI 3.2SN OR BX	PCB plug-in connector, female header, 5.08 mm, No. of poles: 6, 90°, Solder pin length: 3.2 mm, tinned, Orange, Solder connection, Box	4032248355549	50 pc(s).	Box

BLF 5.08/90LH SN



Just as reliable as the tried-and-true original, with innovation in detail:

The BLF 5.0x – the PUSH-IN version of the BLZ 5.0x socket block – features a new connection system and a more compact design. Weidmüller's innovative PUSH-IN spring connection features a trend-setting, tool-free wire connection system that is simple to operate.

In terms of versatility, the BLF 5.0x offers just as much as the older versions:

- The choice of three wire outlet directions offers you proven design flexibility for your applications.
- Four flange variations, including the patented release latch, allow for user-friendly unplugging designs.

General ordering data

Order No.	Part designation	Version	GTIN (EAN)	Qty.	Packaging
1002520000	BLF 5.08/06/90LH SN OR BX	PCB plug-in connector, female plug, 5.08 mm, No. of poles: 6, 90°, PUSH IN, Clamping range, max.: 3.31 mm², Box	4032248694891	42 pc(s).	Box
1000680001	BLF 5.08/06/90LH SN BK BX	PCB plug-in connector, female plug, 5.08 mm, No. of poles: 6, 90°, PUSH IN, Clamping range, max.: 3.31 mm², Box	4032248690879	42 pc(s).	Box

System pitch 5.08 mm (0.200 inch) SL-SMT 5.08/06/90G 3.2SN BK BX

Weidmüller Interface GmbH & Co. KG
Klingenbergstraße 16
D-32758 Detmold
Germany
Fon: +49 5231 14-0
Fax: +49 5231 14-2083
www.weidmueller.com

Counterpart

BLZP 5.00/180LR SN



Female connectors with clamping yoke screw connection for conductor connection with straight (180°) outlet direction. The female connectors provide space for labelling and can be coded. Can be fastened with flange or release latch. They feature an integrated plus/minus screw, protection against false insertion under clamping yoke. They are delivered with an opened clamping yoke.

- 0.2-2.5 mm² (IEC) / 26-12 AWG (UL)
- 400 V (IEC) / 300 V (UL)
- 19 A (IEC) / 15 A (UL)

General ordering data

Order No.	Part designation	Version	GTIN (EAN)	Qty.	Packaging
1956560000	BLZP 5.00/06/180LR SN BK BX	PCB plug-in connector, female plug, 5.00 mm, No. of poles: 6, 180°, Clamping yoke connection, Clamping range, max.: 4 mm ² , Box	4032248635368	45 pc(s).	Box
1956330000	BLZP 5.00/06/180LR SN OR BX	PCB plug-in connector, female plug, 5.00 mm, No. of poles: 6, 180°, Clamping yoke connection, Clamping range, max.: 4 mm ² , Box	4032248635030	45 pc(s).	Box

BLZ 5.00/180F



Female connectors with clamping yoke screw connection for conductor connection with straight outlet direction. The female connectors provide space for labelling and can be coded. Packed in cardboard box.

- 0.20 - 2.5 mm² (IEC) / 26 - 12 AWG (UL)
- 400 V (IEC) / 300 V (UL)
- 19 A (IEC) / 15 A (UL)

General ordering data

Order No.	Part designation	Version	GTIN (EAN)	Qty.	Packaging
1843330000	BLZ 5.00/06/180F SN OR BX	PCB plug-in connector, female plug, 5.00 mm, No. of poles: 6, 180°, Clamping yoke connection, Clamping range, max.: 3.31 mm ² , Box	4032248355051	50 pc(s).	Box
1843560000	BLZ 5.00/06/180F SN BK BX	PCB plug-in connector, female plug, 5.00 mm, No. of poles: 6, 180°, Clamping yoke connection, Clamping range, max.: 3.31 mm ² , Box	4032248355280	50 pc(s).	Box

System pitch 5.08 mm (0.200 inch) SL-SMT 5.08/06/90G 3.2SN BK BX

Weidmüller Interface GmbH & Co. KG
 Klingenbergstraße 16
 D-32758 Detmold
 Germany
 Fon: +49 5231 14-0
 Fax: +49 5231 14-2083
 www.weidmueller.com

Counterpart

BLDT 5.08B



Female connectors with two clamping yoke screw connections per pole for conductor connection with 90° & 270° outlet direction. The female connectors provide space for labelling and can be coded. Packed in cardboard box.

- 0.20 - 2.5 mm² (IEC) / 26 - 12 AWG (UL)
- 400 V (IEC) / 300 V (UL)
- 14 A (IEC) / 10 A (UL)

General ordering data

Order No.	Part designation	Version	GTIN (EAN)	Qty.	Packaging
1651780000	BLDT 5.08/06/-B SN OR BX	PCB plug-in connector, female plug, 5.08 mm, No. of poles: 6, 90°/270°, Clamping yoke connection, Clamping range, max.: 3.31 mm ² , Box	4008190400460	50 pc(s).	Box
1673820000	BLDT 5.08/06/-B SN BK BX	PCB plug-in connector, female plug, 5.08 mm, No. of poles: 6, 90°/270°, Clamping yoke connection, Clamping range, max.: 3.31 mm ² , Box	4008190435554	50 pc(s).	Box

BLZP 5.08/180LH SN



Female connectors with clamping yoke screw connection for conductor connection with straight (180°) outlet direction. The female connectors provide space for labelling and can be coded. Can be fastened with flange or release latch. They feature an integrated plus/minus screw, protection against false insertion under clamping yoke. They are delivered with an opened clamping yoke.

- 0.2-2.5 mm² (IEC) / 26-12 AWG (UL)
- 400 V (IEC) / 300 V (UL)
- 19 A (IEC) / 15 A (UL)

General ordering data

Order No.	Part designation	Version	GTIN (EAN)	Qty.	Packaging
1945330000	BLZP 5.08/06/180LH SN OR BX	PCB plug-in connector, female plug, 5.08 mm, No. of poles: 6, 180°, Clamping yoke connection, Clamping range, max.: 4 mm ² , Box	4032248619900	45 pc(s).	Box
1945560000	BLZP 5.08/06/180LH SN BK BX	PCB plug-in connector, female plug, 5.08 mm, No. of poles: 6, 180°, Clamping yoke connection, Clamping range, max.: 4 mm ² , Box	4032248620739	45 pc(s).	Box

System pitch 5.08 mm (0.200 inch) SL-SMT 5.08/06/90G 3.2SN BK BX

Weidmüller Interface GmbH & Co. KG
 Klingenbergstraße 16
 D-32758 Detmold
 Germany
 Fon: +49 5231 14-0
 Fax: +49 5231 14-2083
 www.weidmueller.com

Counterpart

BLZ 5.08/90B



Female connectors with clamping yoke screw connection. The female connectors provide space for labelling and can be coded. Packed in cardboard box.

- 0.20 - 2.5 mm² (IEC) / 26 - 12 AWG (UL)
- 400 V (IEC) / 300 V (UL)
- 15 A (IEC) / 10 A (UL)

General ordering data

Order No.	Part designation	Version	GTIN (EAN)	Qty.	Packaging
1555460000	BLZ 5.08/06/90B SN OR BX	PCB plug-in connector, female plug, 5.08 mm, No. of poles: 6, 90°, Clamping yoke connection, Clamping range, max.: 3.31 mm ² , Box	4008190012830	54 pc(s).	Box

BLC 5.08BR



Female connectors for conductor connection with crimp connection system. The female connectors provide space for labelling and can be coded. Packed in cardboard box.

- 0.25 - 2.5 mm² (IEC) / 26 - 14 AWG (UL)
- 400 V (IEC) / 300 V (UL)
- 21 A (IEC) / 10 A (UL)

General ordering data

Order No.	Part designation	Version	GTIN (EAN)	Qty.	Packaging
1649410000	BLC 5.08/06/180BR OR BX	PCB plug-in connector, female plug, 5.08 mm, No. of poles: 6, 180°, Crimp connection, Clamping range, max.: 2.5 mm ² , Box	4008190294526	50 pc(s).	Box
1712150000	BLC 5.08/06/180BR BK BX	PCB plug-in connector, female plug, 5.08 mm, No. of poles: 6, 180°, Crimp connection, Clamping range, max.: 2.5 mm ² , Box	4008190935160	50 pc(s).	Box

System pitch 5.08 mm (0.200 inch) SL-SMT 5.08/06/90G 3.2SN BK BX

Weidmüller Interface GmbH & Co. KG
Klingenbergstraße 16
D-32758 Detmold
Germany
Fon: +49 5231 14-0
Fax: +49 5231 14-2083
www.weidmueller.com

Counterpart

BLF 5.08/90LR SN



Just as reliable as the tried-and-true original, with innovation in detail:

The BLF 5.0x – the PUSH-IN version of the BLZ 5.0x socket block – features a new connection system and a more compact design. Weidmüller's innovative PUSH-IN spring connection features a trend-setting, tool-free wire connection system that is simple to operate.

In terms of versatility, the BLF 5.0x offers just as much as the older versions:

- The choice of three wire outlet directions offers you proven design flexibility for your applications.
- Four flange variations, including the patented release latch, allow for user-friendly unplugging designs.

General ordering data

Order No.	Part designation	Version	GTIN (EAN)	Qty.	Packaging
1002320000	BLF 5.08/06/90LR SN OR BX	PCB plug-in connector, female plug, 5.08 mm, No. of poles: 6, 90°, PUSH IN, Clamping range, max.: 3.31 mm², Box	4032248694488	42 pc(s).	Box
1000450001	BLF 5.08/06/90LR SN BK BX	PCB plug-in connector, female plug, 5.08 mm, No. of poles: 6, 90°, PUSH IN, Clamping range, max.: 3.31 mm², Box	4032248690411	42 pc(s).	Box

BLL 5.08/180B



Female connector for PCB mounting. The solder pin length is optimised for wave flow soldering. Packed in cardboard box.

- 400 V (IEC) / 300 V (UL)
- 23 A (IEC) / 15 A (UL)

General ordering data

Order No.	Part designation	Version	GTIN (EAN)	Qty.	Packaging
1682770000	BLL 5.08/06/180B 3.2SN OR BX	PCB plug-in connector, female header, 5.08 mm, No. of poles: 6, 180°, Solder pin length: 3.2 mm, tinned, Orange, Solder connection, Box	4008190474539	50 pc(s).	Box

System pitch 5.08 mm (0.200 inch) SL-SMT 5.08/06/90G 3.2SN BK BX

Weidmüller Interface GmbH & Co. KG
Klingenbergstraße 16
D-32758 Detmold
Germany
Fon: +49 5231 14-0
Fax: +49 5231 14-2083
www.weidmueller.com

Counterpart

BLZP 5.08/270LR SN



Socket connectors with clamping yoke screw connection for conductor connection with a right-angle (90° or 270°) outlet direction. The female connectors provide space for labelling and can be coded. Can be fastened with flange or release latch. They feature an integrated plus/minus screw, protection against false insertion under clamping yoke. They are delivered with an opened clamping yoke.

- 0.2-2.5 mm² (IEC) / 26-12 AWG (UL)
- 400 V (IEC) / 300 V (UL)
- 15 A (IEC) / 10 A (UL)

General ordering data

Order No.	Part designation	Version	GTIN (EAN)	Qty.	Packaging
1947570000	BLZP 5.08/06/270LR SN OR BX	PCB plug-in connector, female plug, 5.08 mm, No. of poles: 6, 270°, Clamping yoke connection, Clamping range, max.: 4 mm ² , Box	4032248623860	42 pc(s).	Box
1947800000	BLZP 5.08/06/270LR SN BK BX	PCB plug-in connector, female plug, 5.08 mm, No. of poles: 6, 270°, Clamping yoke connection, Clamping range, max.: 4 mm ² , Box	4032248624195	42 pc(s).	Box

BLZ 5.00/270B



Female connectors with clamping yoke screw connection. The female connectors provide space for labelling and can be coded. Packed in cardboard box.

- 0.20 - 2.5 mm² (IEC) / 26 - 12 AWG (UL)
- 400 V (IEC) / 300 V (UL)
- 15 A (IEC) / 10 A (UL)

General ordering data

Order No.	Part designation	Version	GTIN (EAN)	Qty.	Packaging
1638310000	BLZ 5.00/06/270B SN BK BX	PCB plug-in connector, female plug, 5.00 mm, No. of poles: 6, 270°, Clamping yoke connection, Clamping range, max.: 3.31 mm ² , Box	4008190275570	54 pc(s).	Box
1638080000	BLZ 5.00/06/270B SN OR BX	PCB plug-in connector, female plug, 5.00 mm, No. of poles: 6, 270°, Clamping yoke connection, Clamping range, max.: 3.31 mm ² , Box	4008190275341	54 pc(s).	Box

**System pitch 5.08 mm (0.200 inch)
SL-SMT 5.08/06/90G 3.2SN BK BX**

Weidmüller Interface GmbH & Co. KG
Klingenbergstraße 16
D-32758 Detmold
Germany
Fon: +49 5231 14-0
Fax: +49 5231 14-2083
www.weidmueller.com

Counterpart
BLZF 5.08/180F


Female connectors for connecting conductors with tension clamp system, straight 180° outlet direction. The female connectors include space for labelling and can be coded. Packed in cardboard box.

- 0.20 - 2.5 mm² (IEC) / 26 - 12 AWG (UL)
- 400 V (IEC) / 300 V (UL)
- 17 A (IEC) / 15 A (UL)

General ordering data

Order No.	Part designation	Version	GTIN (EAN)	Qty.	Packaging
1803600000	BLZF 5.08/06/180F SN BK BX	PCB plug-in connector, female plug, 5.08 mm, No. of poles: 6, 180°, Tension clamp connection, Clamping range, max.: 3.31 mm ² , Box	4032248259007	42 pc(s).	Box
1803370000	BLZF 5.08/06/180F SN OR BX	PCB plug-in connector, female plug, 5.08 mm, No. of poles: 6, 180°, Tension clamp connection, Clamping range, max.: 3.31 mm ² , Box	4032248258772	42 pc(s).	Box

BLZF 5.08/180LH


Socket blocks for conductor connection, featuring the time-saving tension clamp technology, with straight outlet direction and release lever or release latch mechanism. The female connectors provide space for labelling and can be coded. Packed in cardboard box.

- 0.20 - 1.5 mm² (IEC) / 26 - 12 AWG (UL)
- 400 V (IEC) / 300 V (UL)
- 17 A (IEC) / 15 A (UL)

General ordering data

Order No.	Part designation	Version	GTIN (EAN)	Qty.	Packaging
1895760000	BLZF 5.08/06/180LH SN OR BX	PCB plug-in connector, female plug, 5.08 mm, No. of poles: 6, 180°, Tension clamp connection, Clamping range, max.: 3.31 mm ² , Box	4032248510481	42 pc(s).	Box
1893200000	BLZF 5.08/06/180LH SN BK BX	PCB plug-in connector, female plug, 5.08 mm, No. of poles: 6, 180°, Tension clamp connection, Clamping range, max.: 3.31 mm ² , Box	4032248507344	42 pc(s).	Box

System pitch 5.08 mm (0.200 inch) SL-SMT 5.08/06/90G 3.2SN BK BX

Weidmüller Interface GmbH & Co. KG
Klingenbergstraße 16
D-32758 Detmold
Germany
Fon: +49 5231 14-0
Fax: +49 5231 14-2083
www.weidmueller.com

Counterpart

BLT 5.08LR



Socket connectors with clamping yoke screw connection for conductor connection with 270° outlet direction and release lever or release latch mechanism. The female connectors provide space for labelling and can be coded. Packed in cardboard box.

- 0.20 - 1.5 mm² (IEC) / 26 - 14 AWG (UL)
- 400 V (IEC) / 300 V (UL)
- 17 A (IEC) / 10 A (UL)

General ordering data

Order No.	Part designation	Version	GTIN (EAN)	Qty.	Packaging
1890260000	BLT 5.08/06/180LR SN OR BX	PCB plug-in connector, female plug, 5.08 mm, No. of poles: 6, 180°, TOP connection, Clamping range, max.: 2.5 mm ² , Box	4032248498741	42 pc(s).	Box
1894170000	BLT 5.08/06/180LR SN BK BX	PCB plug-in connector, female plug, 5.08 mm, No. of poles: 6, 180°, TOP connection, Clamping range, max.: 2.5 mm ² , Box	4032248508518	42 pc(s).	Box

BLF 5.00/90LH SN



Just as reliable as the tried-and-true original, with innovation in detail:

The BLF 5.0x – the PUSH-IN version of the BLZ 5.0x socket block – features a new connection system and a more compact design. Weidmüller's innovative PUSH-IN spring connection features a trend-setting, tool-free wire connection system that is simple to operate.

In terms of versatility, the BLF 5.0x offers just as much as the older versions:

- The choice of three wire outlet directions offers you proven design flexibility for your applications.
- Four flange variations, including the patented release latch, allow for user-friendly unplugging designs.

General ordering data

Order No.	Part designation	Version	GTIN (EAN)	Qty.	Packaging
1981410000	BLF 5.00/06/90LH SN OR BX	PCB plug-in connector, female plug, 5.00 mm, No. of poles: 6, 90°, PUSH IN, Clamping range, max.: 3.31 mm ² , Box	4032248676712	42 pc(s).	Box
1980020000	BLF 5.00/06/90LH SN BK BX	PCB plug-in connector, female plug, 5.00 mm, No. of poles: 6, 90°, PUSH IN, Clamping range, max.: 3.31 mm ² , Box	4032248675081	42 pc(s).	Box

System pitch 5.08 mm (0.200 inch) SL-SMT 5.08/06/90G 3.2SN BK BX

Weidmüller Interface GmbH & Co. KG
Klingenbergstraße 16
D-32758 Detmold
Germany
Fon: +49 5231 14-0
Fax: +49 5231 14-2083
www.weidmueller.com

Counterpart

BLZ 5.08/180LR



Socket connectors with clamping yoke screw connection for conductor connection with 270° outlet direction and release lever or release latch mechanism. The female connectors provide space for labelling and can be coded. Packed in cardboard box.

- 0.20 - 1.5 mm² (IEC) / 26 - 12 AWG (UL)
- 400 V (IEC) / 300 V (UL)
- 19 A (IEC) / 15 A (UL)

General ordering data

Order No.	Part designation	Version	GTIN (EAN)	Qty.	Packaging
1851240000	BLZ 5.08/06/180LR SN OR BX	PCB plug-in connector, female plug, 5.08 mm, No. of poles: 6, 180°, Clamping yoke connection, Clamping range, max.: 3.31 mm ² , Box	4032248382613	50 pc(s).	Box
1892990000	BLZ 5.08/06/180LR SN BK BX	PCB plug-in connector, female plug, 5.08 mm, No. of poles: 6, 180°, Clamping yoke connection, Clamping range, max.: 3.31 mm ² , Box	4032248507139	50 pc(s).	Box

BLZP 5.00/270LR SN



Socket connectors with clamping yoke screw connection for conductor connection with a right-angle (90° or 270°) outlet direction. The female connectors provide space for labelling and can be coded. Can be fastened with flange or release latch. They feature an integrated plus/minus screw, protection against false insertion under clamping yoke. They are delivered with an opened clamping yoke.

- 0.2-2.5 mm² (IEC) / 26-12 AWG (UL)
- 400 V (IEC) / 300 V (UL)
- 15 A (IEC) / 10 A (UL)

General ordering data

Order No.	Part designation	Version	GTIN (EAN)	Qty.	Packaging
1961150000	BLZP 5.00/06/270LR SN BK BX	PCB plug-in connector, female plug, 5.00 mm, No. of poles: 6, 90°, Clamping yoke connection, Clamping range, max.: 4 mm ² , Box	4032248640225	42 pc(s).	Box
1960920000	BLZP 5.00/06/270LR SN OR BX	PCB plug-in connector, female plug, 5.00 mm, No. of poles: 6, 90°, Clamping yoke connection, Clamping range, max.: 4 mm ² , Box	4032248639953	42 pc(s).	Box

System pitch 5.08 mm (0.200 inch) SL-SMT 5.08/06/90G 3.2SN BK BX

Weidmüller Interface GmbH & Co. KG
 Klingenbergstraße 16
 D-32758 Detmold
 Germany
 Fon: +49 5231 14-0
 Fax: +49 5231 14-2083
 www.weidmueller.com

Counterpart

BLZF 5.08/90B



Female connectors for connecting conductors with tension clamp system. The female connectors include space for labelling and can be coded. Packed in cardboard box.

- 0.20 - 2.5 mm² (IEC) / 26 - 12 AWG (UL)
- 400 V (IEC) / 300 V (UL)
- 16.5 A (IEC) / 10 A (UL)

General ordering data

Order No.	Part designation	Version	GTIN (EAN)	Qty.	Packaging
1671290000	BLZF 5.08/06/90B SN OR BX	PCB plug-in connector, female plug, 5.08 mm, No. of poles: 6, 90°, Tension clamp connection, Clamping range, max.: 3.31 mm ² , Box	4008190432997	54 pc(s).	Box
1671520000	BLZF 5.08/06/90B SN BK BX	PCB plug-in connector, female plug, 5.08 mm, No. of poles: 6, 90°, Tension clamp connection, Clamping range, max.: 3.31 mm ² , Box	4008190433222	54 pc(s).	Box

BLF 5.00/90LR SN



Just as reliable as the tried-and-true original, with innovation in detail:

The BLF 5.0x – the PUSH-IN version of the BLZ 5.0x socket block – features a new connection system and a more compact design. Weidmüller's innovative PUSH-IN spring connection features a trend-setting, tool-free wire connection system that is simple to operate.

In terms of versatility, the BLF 5.0x offers just as much as the older versions:

- The choice of three wire outlet directions offers you proven design flexibility for your applications.
- Four flange variations, including the patented release latch, allow for user-friendly unplugging designs.

General ordering data

Order No.	Part designation	Version	GTIN (EAN)	Qty.	Packaging
1980910000	BLF 5.00/06/90LR SN OR BX	PCB plug-in connector, female plug, 5.00 mm, No. of poles: 6, 90°, PUSH IN, Clamping range, max.: 3.31 mm ² , Box	4032248676026	42 pc(s).	Box
1979830000	BLF 5.00/06/90LR SN BK BX	PCB plug-in connector, female plug, 5.00 mm, No. of poles: 6, 90°, PUSH IN, Clamping range, max.: 3.31 mm ² , Box	4032248674091	42 pc(s).	Box

System pitch 5.08 mm (0.200 inch) SL-SMT 5.08/06/90G 3.2SN BK BX

Weidmüller Interface GmbH & Co. KG
 Klingenbergstraße 16
 D-32758 Detmold
 Germany
 Fon: +49 5231 14-0
 Fax: +49 5231 14-2083
 www.weidmueller.com

Counterpart

BLF 5.00/90F SN



Just as reliable as the tried-and-true original, with innovation in detail:

The BLF 5.0x – the PUSH-IN version of the BLZ 5.0x socket block – features a new connection system and a more compact design. Weidmüller's innovative PUSH-IN spring connection features a trend-setting, tool-free wire connection system that is simple to operate.

In terms of versatility, the BLF 5.0x offers just as much as the older versions:

- The choice of three wire outlet directions offers you proven design flexibility for your applications.
- Four flange variations, including the patented release latch, allow for user-friendly unplugging designs.

General ordering data

Order No.	Part designation	Version	GTIN (EAN)	Qty.	Packaging
1979500000	BLF 5.00/06/90F SN BK BX	PCB plug-in connector, female plug, 5.00 mm, No. of poles: 6, 90°, PUSH IN, Clamping range, max.: 3.31 mm², Box	4032248674701	42 pc(s).	Box
1980680000	BLF 5.00/06/90F SN OR BX	PCB plug-in connector, female plug, 5.00 mm, No. of poles: 6, 90°, PUSH IN, Clamping range, max.: 3.31 mm², Box	4032248675838	42 pc(s).	Box

BLT 5.08LH



Female connectors with TOP screw system for connecting conductors with straight 180° outlet direction. The female connectors include space for labelling and can be coded. Packed in cardboard box.

- 0.20 - 2.5 mm² (IEC) / 26 - 14 AWG (UL)
- 400 V (IEC) / 300 V (UL)
- 17 A (IEC) / 10 A (UL)

General ordering data

Order No.	Part designation	Version	GTIN (EAN)	Qty.	Packaging
1892530000	BLT 5.08/06/180LH SN BK BX	PCB plug-in connector, female plug, 5.08 mm, No. of poles: 6, 180°, TOP connection, Clamping range, max.: 2.5 mm², Box	4032248506576	42 pc(s).	Box
1890030000	BLT 5.08/06/180LH SN OR BX	PCB plug-in connector, female plug, 5.08 mm, No. of poles: 6, 180°, TOP connection, Clamping range, max.: 2.5 mm², Box	4032248498444	42 pc(s).	Box

System pitch 5.08 mm (0.200 inch) SL-SMT 5.08/06/90G 3.2SN BK BX

Weidmüller Interface GmbH & Co. KG
 Klingenbergstraße 16
 D-32758 Detmold
 Germany
 Fon: +49 5231 14-0
 Fax: +49 5231 14-2083
 www.weidmueller.com

Counterpart

BLZP 5.00/90F SN



Socket connectors with clamping yoke screw connection for conductor connection with a right-angle (90° or 270°) outlet direction. The female connectors provide space for labelling and can be coded. Can be fastened with flange or release latch. They feature an integrated plus/minus screw, protection against false insertion under clamping yoke. They are delivered with an opened clamping yoke.

- 0.2-2.5 mm² (IEC) / 26-12 AWG (UL)
- 400 V (IEC) / 300 V (UL)
- 15 A (IEC) / 10 A (UL)

General ordering data

Order No.	Part designation	Version	GTIN (EAN)	Qty.	Packaging
1959710000	BLZP 5.00/06/90F SN BK BX	PCB plug-in connector, female plug, 5.00 mm, No. of poles: 6, 90°, Clamping yoke connection, Clamping range, max.: 4 mm ² , Box	4032248638642	42 pc(s).	Box
1959480000	BLZP 5.00/06/90F SN OR BX	PCB plug-in connector, female plug, 5.00 mm, No. of poles: 6, 90°, Clamping yoke connection, Clamping range, max.: 4 mm ² , Box	4032248638413	42 pc(s).	Box

BLZ 5.08/225B



Female connectors with clamping yoke screw connection for conductor connection with 225° outlet direction. The female connectors provide space for labelling and can be coded. Packed in cardboard box.

- 0.20 - 2.5 mm² (IEC) / 26 - 12 AWG (UL)
- 400 V (IEC) / 300 V (UL)
- 16.5 A (IEC) / 10 A (UL)

General ordering data

Order No.	Part designation	Version	GTIN (EAN)	Qty.	Packaging
1742370000	BLZ 5.08/06/225B SN BK BX	PCB plug-in connector, female plug, 5.08 mm, No. of poles: 6, 225°, Clamping yoke connection, Clamping range, max.: 3.31 mm ² , Box	4032248049806	54 pc(s).	Box
1742140000	BLZ 5.08/06/225B SN OR BX	PCB plug-in connector, female plug, 5.08 mm, No. of poles: 6, 225°, Clamping yoke connection, Clamping range, max.: 3.31 mm ² , Box	4008190247126	54 pc(s).	Box

**System pitch 5.08 mm (0.200 inch)
SL-SMT 5.08/06/90G 3.2SN BK BX**

Weidmüller Interface GmbH & Co. KG
Klingenbergstraße 16
D-32758 Detmold
Germany
Fon: +49 5231 14-0
Fax: +49 5231 14-2083
www.weidmueller.com

Counterpart
BLZ 5.08/270B


Female connectors with clamping yoke screw connection. The female connectors provide space for labelling and can be coded. Packed in cardboard box.

- 0.20 - 2.5 mm² (IEC) / 26 - 12 AWG (UL)
- 400 V (IEC) / 300 V (UL)
- 15 A (IEC) / 10 A (UL)

General ordering data

Order No.	Part designation	Version	GTIN (EAN)	Qty.	Packaging
1560010000	BLZ 5.08/06/270B SN BK BX	PCB plug-in connector, female plug, 5.08 mm, No. of poles: 6, 270°, Clamping yoke connection, Clamping range, max.: 3.31 mm ² , Box	4008190269692	54 pc(s).	Box
1560060000	BLZ 5.08/06/270B SN OR BX	PCB plug-in connector, female plug, 5.08 mm, No. of poles: 6, 270°, Clamping yoke connection, Clamping range, max.: 3.31 mm ² , Box	4008190069650	54 pc(s).	Box

BLZP 5.00/180LH SN


Female connectors with clamping yoke screw connection for conductor connection with straight (180°) outlet direction. The female connectors provide space for labelling and can be coded. Can be fastened with flange or release latch. They feature an integrated plus/minus screw, protection against false insertion under clamping yoke. They are delivered with an opened clamping yoke.

- 0.2-2.5 mm² (IEC) / 26-12 AWG (UL)
- 400 V (IEC) / 300 V (UL)
- 19 A (IEC) / 15 A (UL)

General ordering data

Order No.	Part designation	Version	GTIN (EAN)	Qty.	Packaging
1956950000	BLZP 5.00/06/180LH SN OR BX	PCB plug-in connector, female plug, 5.00 mm, No. of poles: 6, 180°, Clamping yoke connection, Clamping range, max.: 4 mm ² , Box	4032248635832	45 pc(s).	Box
1957250000	BLZP 5.00/06/180LH SN BK BX	PCB plug-in connector, female plug, 5.00 mm, No. of poles: 6, 180°, Clamping yoke connection, Clamping range, max.: 4 mm ² , Box	4032248636068	45 pc(s).	Box

System pitch 5.08 mm (0.200 inch) SL-SMT 5.08/06/90G 3.2SN BK BX

Weidmüller Interface GmbH & Co. KG
 Klingenbergstraße 16
 D-32758 Detmold
 Germany
 Fon: +49 5231 14-0
 Fax: +49 5231 14-2083
 www.weidmueller.com

Counterpart

BLZP 5.08/270LH SN



Socket connectors with clamping yoke screw connection for conductor connection with a right-angle (90° or 270°) outlet direction. The female connectors provide space for labelling and can be coded. Can be fastened with flange or release latch. They feature an integrated plus/minus screw, protection against false insertion under clamping yoke. They are delivered with an opened clamping yoke.

- 0.2-2.5 mm² (IEC) / 26-12 AWG (UL)
- 400 V (IEC) / 300 V (UL)
- 15 A (IEC) / 10 A (UL)

General ordering data

Order No.	Part designation	Version	GTIN (EAN)	Qty.	Packaging
1947050000	BLZP 5.08/06/270LH SN OR BX	PCB plug-in connector, female plug, 5.08 mm, No. of poles: 6, 270°, Clamping yoke connection, Clamping range, max.: 4 mm ² , Box	4032248622917	42 pc(s).	Box
1947280000	BLZP 5.08/06/270LH SN BK BX	PCB plug-in connector, female plug, 5.08 mm, No. of poles: 6, 270°, Clamping yoke connection, Clamping range, max.: 4 mm ² , Box	4032248623242	42 pc(s).	Box

BLZF 5.08/270B



Female connectors for connecting conductors with tension clamp system. The female connectors include space for labelling and can be coded. Packed in cardboard box.

- 0.20 - 2.5 mm² (IEC) / 26 - 12 AWG (UL)
- 400 V (IEC) / 300 V (UL)
- 16.5 A (IEC) / 10 A (UL)

General ordering data

Order No.	Part designation	Version	GTIN (EAN)	Qty.	Packaging
1672670000	BLZF 5.08/06/270B SN BK BX	PCB plug-in connector, female plug, 5.08 mm, No. of poles: 6, 270°, Tension clamp connection, Clamping range, max.: 3.31 mm ² , Box	4008190434380	54 pc(s).	Box
1672440000	BLZF 5.08/06/270B SN OR BX	PCB plug-in connector, female plug, 5.08 mm, No. of poles: 6, 270°, Tension clamp connection, Clamping range, max.: 3.31 mm ² , Box	4008190434151	54 pc(s).	Box

System pitch 5.08 mm (0.200 inch) SL-SMT 5.08/06/90G 3.2SN BK BX

Weidmüller Interface GmbH & Co. KG
 Klingenbergstraße 16
 D-32758 Detmold
 Germany
 Fon: +49 5231 14-0
 Fax: +49 5231 14-2083
 www.weidmueller.com

Counterpart

BLZP 5.08/225B SN



Clamping-yoke wire connection with right-angled (90° or 270°) or angled (225°) outlet direction. The female connectors provide space for labelling and can be coded. Can be fastened with flange or release latch. They feature an integrated plus/minus screw, protection against false insertion under clamping yoke. They are delivered with an opened clamping yoke.

- 0.2-2.5 mm² (IEC) / 26-12 AWG (UL)
- 400 V (IEC) / 300 V (UL)
- 17.5 A (IEC) / 10 A (UL)

General ordering data

Order No.	Part designation	Version	GTIN (EAN)	Qty.	Packaging
1946020000	BLZP 5.08/06/225B SN BK BX	PCB plug-in connector, female plug, 5.08 mm, No. of poles: 6, 225°, Clamping yoke connection, Clamping range, max.: 4 mm ² , Box	4032248621552	54 pc(s).	Box
1945790000	BLZP 5.08/06/225B SN OR BX	PCB plug-in connector, female plug, 5.08 mm, No. of poles: 6, 225°, Clamping yoke connection, Clamping range, max.: 4 mm ² , Box	4032248621262	54 pc(s).	Box

BLZP 5.08/180LR SN



Female connectors with clamping yoke screw connection for conductor connection with straight (180°) outlet direction. The female connectors provide space for labelling and can be coded. Can be fastened with flange or release latch. They feature an integrated plus/minus screw, protection against false insertion under clamping yoke. They are delivered with an opened clamping yoke.

- 0.2-2.5 mm² (IEC) / 26-12 AWG (UL)
- 400 V (IEC) / 300 V (UL)
- 19 A (IEC) / 15 A (UL)

General ordering data

Order No.	Part designation	Version	GTIN (EAN)	Qty.	Packaging
1945100000	BLZP 5.08/06/180LR SN BK BX	PCB plug-in connector, female plug, 5.08 mm, No. of poles: 6, 180°, Clamping yoke connection, Clamping range, max.: 4 mm ² , Box	4032248620241	45 pc(s).	Box
1944870000	BLZP 5.08/06/180LR SN OR BX	PCB plug-in connector, female plug, 5.08 mm, No. of poles: 6, 180°, Clamping yoke connection, Clamping range, max.: 4 mm ² , Box	4032248619481	45 pc(s).	Box

System pitch 5.08 mm (0.200 inch) SL-SMT 5.08/06/90G 3.2SN BK BX

Weidmüller Interface GmbH & Co. KG
 Klingenbergstraße 16
 D-32758 Detmold
 Germany
 Fon: +49 5231 14-0
 Fax: +49 5231 14-2083
 www.weidmueller.com

Counterpart

BLF 5.08/90F SN



Just as reliable as the tried-and-true original, with innovation in detail:

The BLF 5.0x – the PUSH-IN version of the BLZ 5.0x socket block – features a new connection system and a more compact design. Weidmüller's innovative PUSH-IN spring connection features a trend-setting, tool-free wire connection system that is simple to operate.

In terms of versatility, the BLF 5.0x offers just as much as the older versions:

- The choice of three wire outlet directions offers you proven design flexibility for your applications.
- Four flange variations, including the patented release latch, allow for user-friendly unplugging designs.

General ordering data

Order No.	Part designation	Version	GTIN (EAN)	Qty.	Packaging
1000260001	BLF 5.08/06/90F SN BK BX	PCB plug-in connector, female plug, 5.08 mm, No. of poles: 6, 90°, PUSH IN, Clamping range, max.: 3.31 mm², Box	4032248690220	42 pc(s).	Box
1002130000	BLF 5.08/06/90F SN OR BX	PCB plug-in connector, female plug, 5.08 mm, No. of poles: 6, 90°, PUSH IN, Clamping range, max.: 3.31 mm², Box	4032248694082	42 pc(s).	Box

BLZF 5.08/180LR



Female connectors for connecting conductors with tension clamp system, straight 180° outlet direction. The female connectors include space for labelling and can be coded. Packed in cardboard box.

- 0.20 - 2.5 mm² (IEC) / 26 - 12 AWG (UL)
- 400 V (IEC) / 300 V (UL)
- 17 A (IEC) / 15 A (UL)

General ordering data

Order No.	Part designation	Version	GTIN (EAN)	Qty.	Packaging
1892760000	BLZF 5.08/06/180LR SN BK BX	PCB plug-in connector, female plug, 5.08 mm, No. of poles: 6, 180°, Tension clamp connection, Clamping range, max.: 3.31 mm², Box	4032248506804	42 pc(s).	Box
1851450000	BLZF 5.08/06/180LR SN OR BX	PCB plug-in connector, female plug, 5.08 mm, No. of poles: 6, 180°, Tension clamp connection, Clamping range, max.: 3.31 mm², Box	4032248382927	42 pc(s).	Box