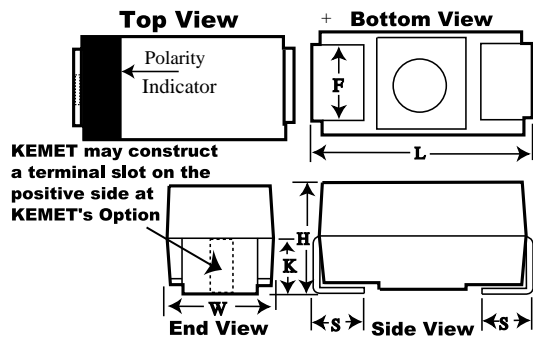


B45196H, Tantalum, MnO2 Tantalum, 330 uF, 20%, 6.3 V, SMD, Molded, 7343, Height Max = 4.4mm



| General Information |  |
|---------------------|--|
| Supplier:           | KEMET  |
| Series:             | B45196H  |
| Dielectric:         | MnO2 Tantalum  |
| Style:              | SMD Chip   |
| Description:        | SMD, Molded  |
| RoHS:               | Yes  |
| Termination:        | Tin  |
| Notes:              | Obsolete. Old Part Number [Obsolete] Was B45196H1337M509 |

| Dimensions |                |
|------------|----------------|
| Footprint  | 7343           |
| L          | 7.3mm +/-0.3mm |
| W          | 4.3mm +/-0.3mm |
| H          | 4.1mm +/-0.3mm |
| S          | 1.3mm +/-0.3mm |
| F          | 2.4mm +/-0.1mm |
| K          | 1.8mm TYP      |

| Specifications         |                                |
|------------------------|--------------------------------|
| Capacitance:           | 330 uF                         |
| Capacitance Tolerance: | 20%                            |
| Voltage DC:            | 6.3 VDC (85C), 4.22 VDC (125C) |
| Temperature Range:     | -55/+125C                      |
| Rated Temperature:     | 85C                            |
| Dissipation Factor:    | 8%                             |
| Failure Rate:          | N/A                            |
| Leakage Current:       | 21 uA                          |

| Packaging Specifications |            |
|--------------------------|------------|
| Packaging:               | T&R, 178mm |
| Packaging Quantity:      | 400        |