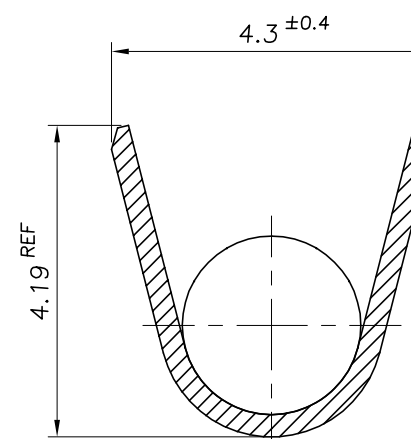
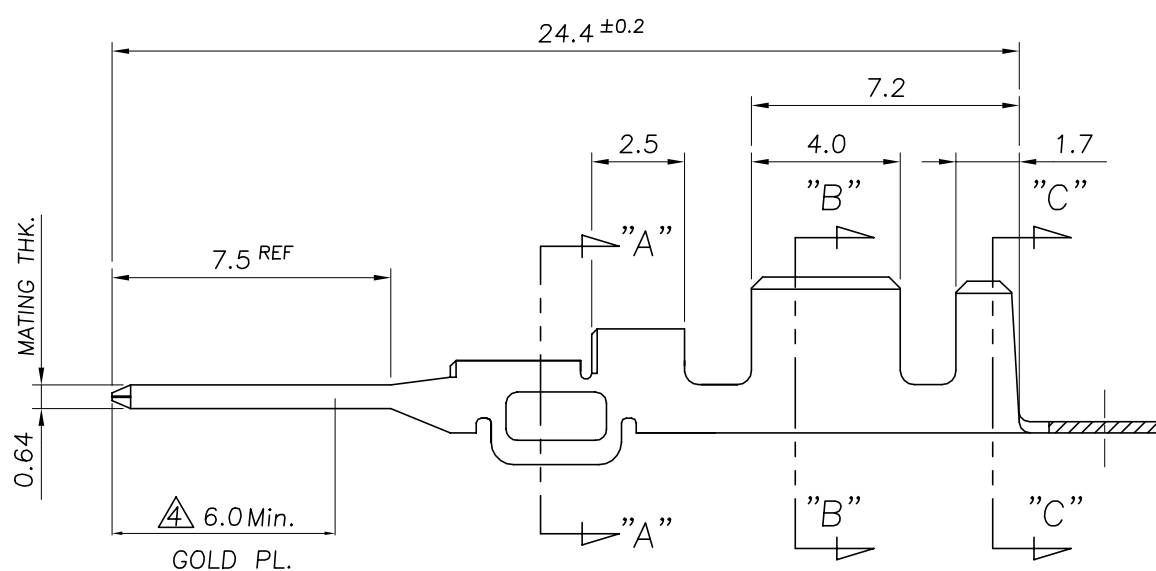
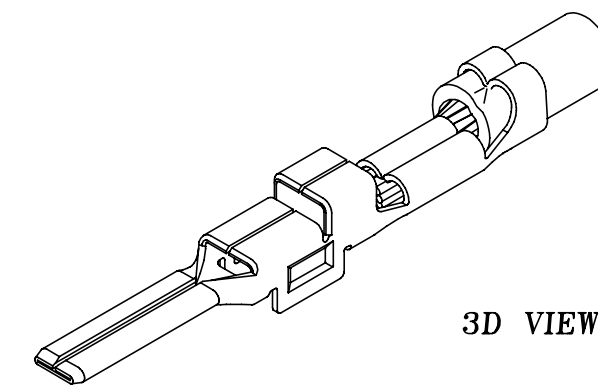
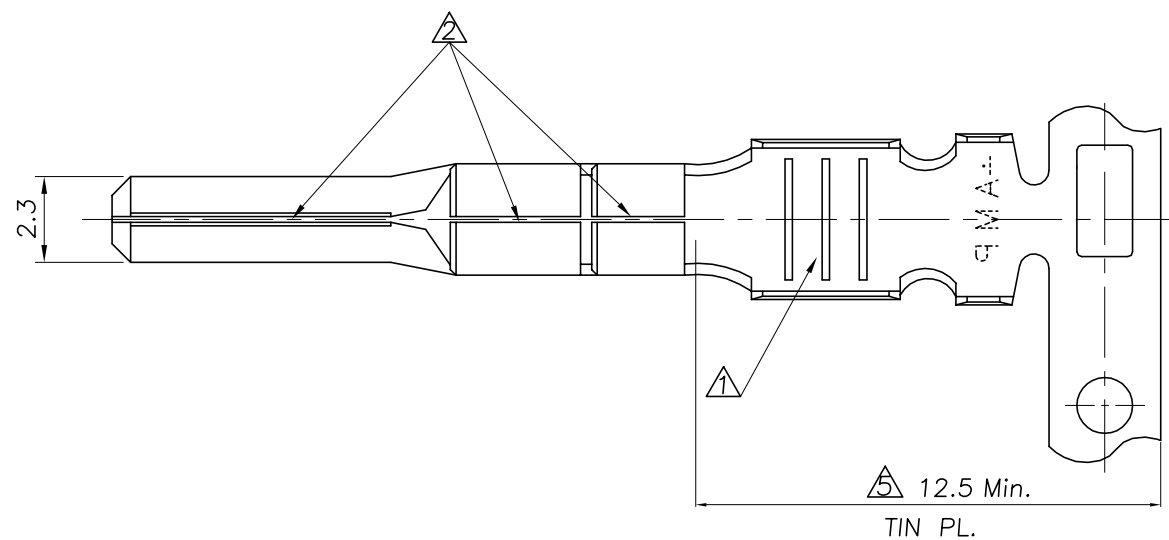
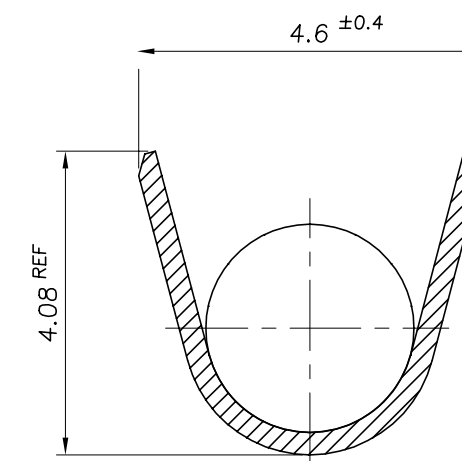


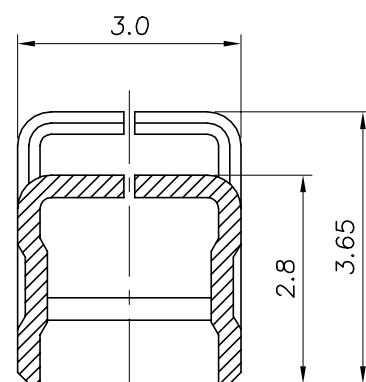
P	LTR	DESCRIPTION	DATE	DWN	APVD
C		REVISED (ECR-23-163501)	13/JAN/23	JW	KT



SECTION "B-B"
SCALE=10/1



SECTION "C-C"
SCALE=10/1



SECTION "A-A"
SCALE=10/1

* NOTES

- △ THREE SERRATIONS CENTERED IN WIRE BARREL.
- △ 0.15 MAX GAP PERMISSIBLE.
- 3 WIRE SIZE EQUIV AVSS 2.0 ~ AESSXF 2.5sqmm.

△△ SELECTIVE GOLD	BRASS STRIP 0.30THK.	1 368086 1
PRE-TINNED		368086-1
FINISH	MATERIAL	PART NUMBER

THIS DRAWING IS A CONTROLLED DOCUMENT.

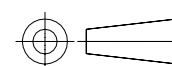
DWN	KT JUNG
CHK	JW JUNG
APVD	HG CHO
PRODUCT SPEC	108-61021
APPLICATION SPEC	114-61004
WEIGHT	NET; 0.37gf



TE Connectivity

NAME
.090 II MLC TAB CONTACT

TOLERANCES UNLESS OTHERWISE SPECIFIED:
 0 <XX<10 ± 0.2
 10<XX<30 ± 0.25
 ANGLES ± 3°



DIMENSIONS:	TOLERANCES UNLESS OTHERWISE SPECIFIED:
ZPT	
MATERIAL	FINISH
—	—

SIZE	CAGE CODE	DRAWING NO	RESTRICTED TO
A3	00779	C-368086	