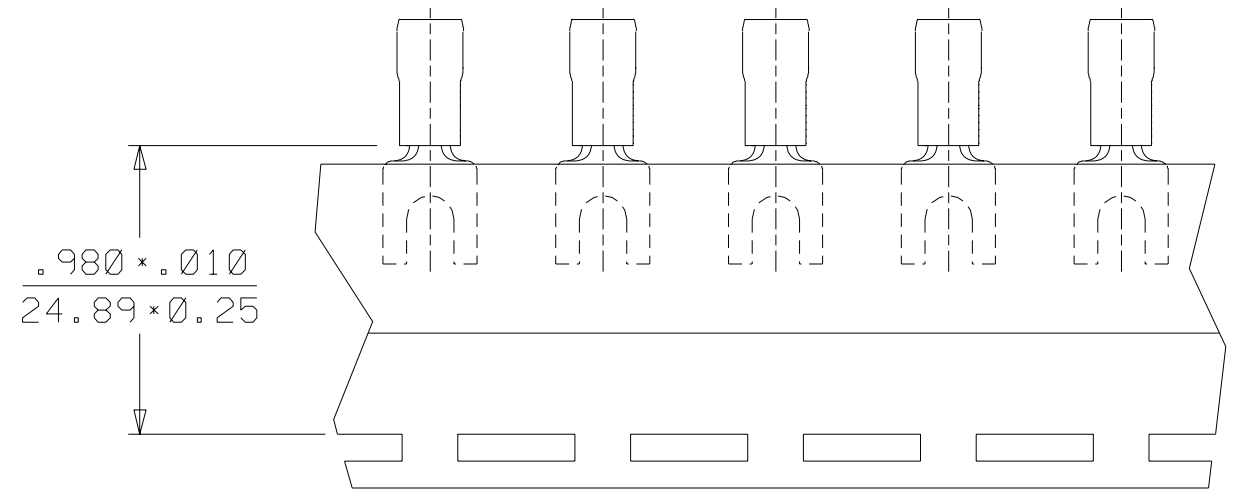
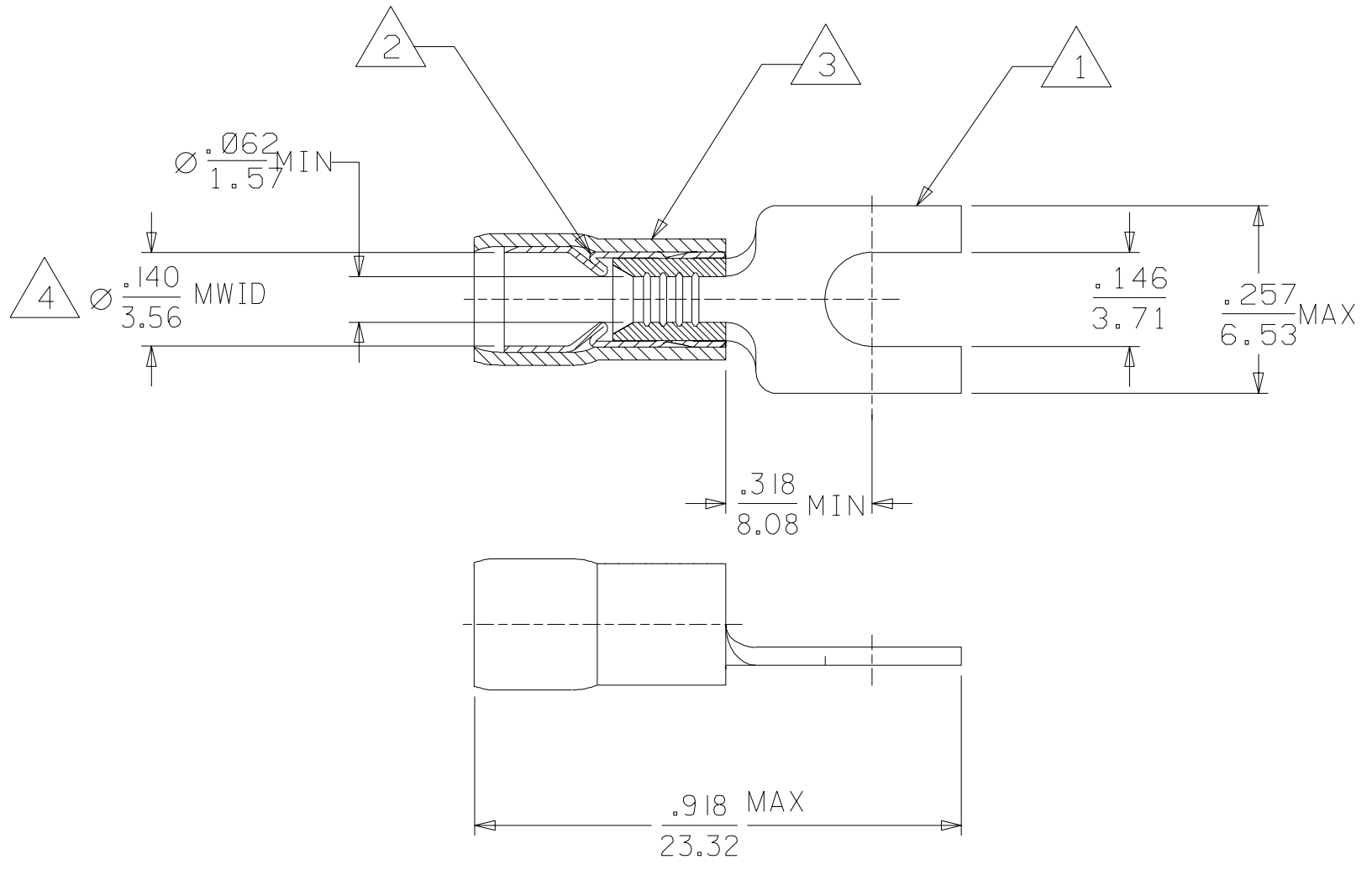


MATERIAL NUMBER	ENGINEERING NUMBER	STUD SIZE	PACKAGING
191390006	AA-8118-06	6	LOOSE PIECE
191390007	AA-8118-06T		TAPE MOUNTED



TAPE MONTING LOCATION

SALES DRAWING

NOTES:

- 1. TERMINAL MATERIAL: COPPER .028 THICK.
- 2. FERRULE: TIN-PLATED BRASS.
PLATING: ELECTROPLATE TIN
- 3. INSULATION: LT. RED NYLON
- 4. MWID=MAXIMUM WIRE INSULATION DIA.

NEW RELEASE EC NO. ETC2004-0027 DRWN: BRE 03/08/05 CHK: HEB 03/08/05 APPR: RWD 03/08/05	QUALITY SYMBOLS	DESCRIPTION
	MAJOR	
	CRITICAL	
	REV	A

GENERAL TOLERANCES: (UNLESS SPECIFIED)	
mm	INCH
4 PLACES ±0.	±.
3 PLACES ±0.	±.
2 PLACES ±0.	±.
1 PLACE ±0.	±.
ANGULAR: ±1/2°	
DRAFT WHERE APPLICABLE MUST REMAIN WITHIN DIMENSIONS	

SCALE NO: NE	DESIGN UNITS
NO: NE	<input type="checkbox"/> mm <input checked="" type="checkbox"/> INCH
DRAWN BY & DATE	
BRE 03/07/30	
CHECKED BY & DATE	
HEB 03/07/30	
APPROVED BY & DATE	
RWD 03/07/30	
CAD FILENAME	
SD-19139-002.DGN	

DIMENSIONS:	
<input type="checkbox"/> mm	<input checked="" type="checkbox"/> INCH
<input type="checkbox"/> INCH	<input type="checkbox"/> mm ONLY
THIRD ANGLE PROJECTION	

TITLE: BLOCK SPADE TONGUE TERMINAL AVIKRIMP 22-18 AWG	
MOLEX INCORPORATED	
MATERIAL NO.	DRAWING NO.
SEE CHART	SD-19139-004
SHEET NO. 1 OF 1	
SIZE B	