

**Technical specification:**

Rated voltage: 5pos  
IEC 61076-2-101 60 V

Current rating: 4 A at 40°C  
IEC 61076-2-101

Insulation resistance: >=100 MΩ  
IEC 60512

Pollution degree: 3/2  
IEC 60664-1

Degree of protection: IP 67, in mated condition  
IEC 60529

Temperature range: -30°C ... +80°C  
IEC 60664-1

Mating cycles: >=100  
IEC 60512-9a

**Materials:**

Contact: CuZn

Contact plating: Nickel, gold plated

Contact carrier: PBT, UL 94

Sealing: FPM

Coupling nut/screw: GD-Zn, nickel plated

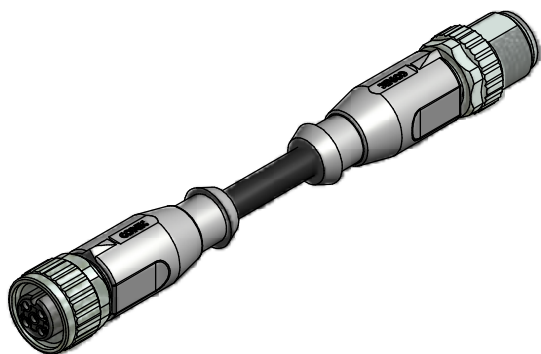
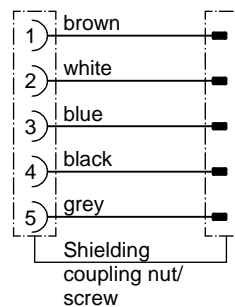
Moulding body: TPU, UL 94, grey

**Installation specification:**

Recommended torque: 0,6 Nm

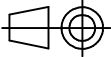
Conec installation tool: Torque wrench: 36-000200  
Insert across flats 13: 36-000220

**Contact assignment:**



Part no:	Description:	Length L:	Cable:
43-10832	SAL - 12S - RK5.1 - RS5.1 - 0,3 / G2	0,3m	TPU, UL 20549, black, 5x0,25mm <sup>2</sup> Cable: 781-G22500
43-10833	SAL - 12S - RK5.1 - RS5.1 - 0,6 / G2	0,6m	
43-10834	SAL - 12S - RK5.1 - RS5.1 - 1,5 / G2	1,5m	
43-10835	SAL - 12S - RK5.1 - RS5.1 - 3,0 / G2	3m	
43-xxxxx	SAL - 12S - RK5.1 - RS5.1 - ... / G2	x	

D see data sheet cable

DO NOT ALTER CAD DRAWING BY HAND Directive 2002/95/EC RoHS compliant	Index: b 31.01.2011 VF Ä3767 Coupling nut/screw modified, spanner flats added, data sheet modified	 dim. in mm	title: <b>Connecting cable M12x1, 360°-shielding, female connector axial - male connector axial</b> dwg no: <b>43K1A417</b> part no: <b>see table</b>						
	tolerance of cable: L ≤ 4m: L + 40mm L > 4m: L + 1%			<table border="1"> <tr> <td>date</td> <td>name</td> </tr> <tr> <td>drawn 08.03.07</td> <td>Fromm</td> </tr> <tr> <td>appd. 08.03.07</td> <td>Mankopf</td> </tr> </table>	date	name	drawn 08.03.07	Fromm	appd. 08.03.07
	date	name							
	drawn 08.03.07	Fromm							
appd. 08.03.07	Mankopf								
THIS DRAWING MAY NOT BE COPIED OR REPRODUCED IN ANY WAY, AND MAY NOT BE PASSED ON TO A THIRD PARTY WITHOUT WRITTEN PERMISSION. OWNERSHIP AND COPYRIGHT OF CONEC GmbH	