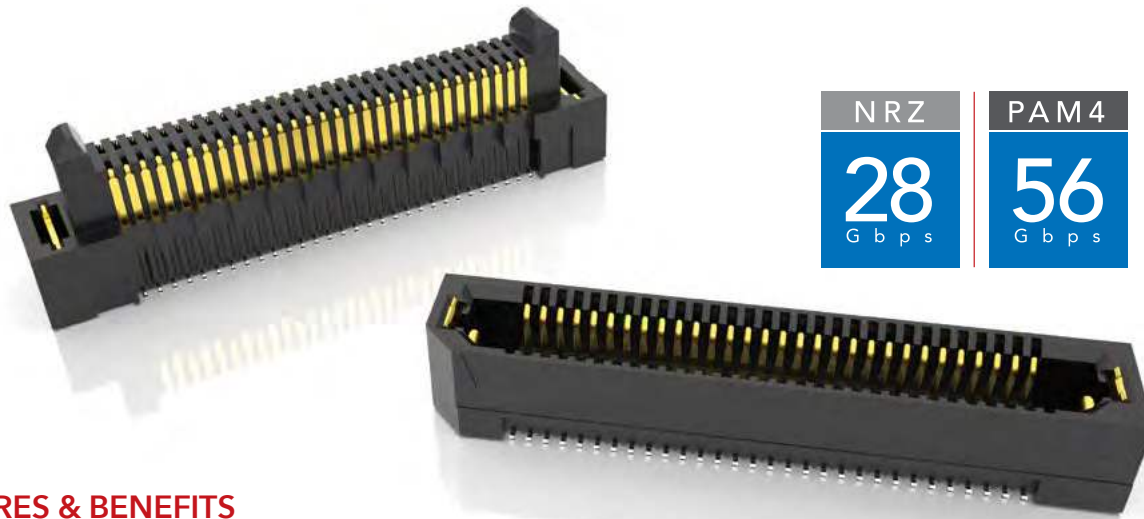


RUGGED HIGH-SPEED STRIPS

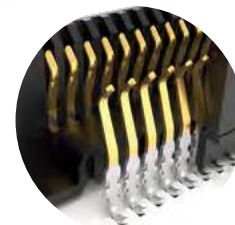


| | |
|------------|------------|
| NRZ | PAM4 |
| 28 Gbps | 56 Gbps |

FEATURES & BENEFITS

Edge Rate® rugged high-speed connector strips are designed for high speed, high cycle applications, and enabled by Samtec's signal integrity-optimized Edge Rate® contact system.

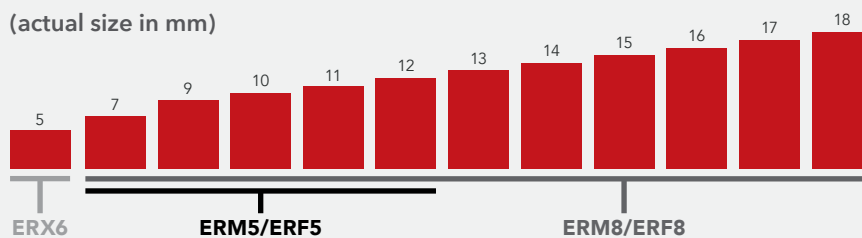
- Choice of 0.50 mm, 0.635 mm or 0.80 mm pitch
- 0.50 mm pitch system offers up to 40% PCB space savings vs. 0.80 mm pitch
- 0.635 mm pitch system with extremely slim 2.5 mm body width
- Rugged latching, locking and 360° shielding
- Up to 1.5 mm contact wipe; robust when "zippered" during unmating
- Compatible with UMPT/UMPS for power/signal flexibility



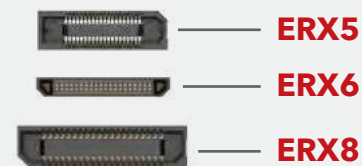
Signal integrity-optimized Edge Rate® contact system reduces broadside coupling

EDGE RATE® STACK HEIGHT FLEXIBILITY

(actual size in mm)



Sockets shown actual size with 40 total positions



KEY SPECIFICATIONS

| SERIES | PITCH | STACK HEIGHTS | TOTAL PINS / PAIRS | INSULATOR MATERIAL | TERMINAL MATERIAL | PLATING | OPERATING TEMP RANGE | LEAD-FREE SOLDERABLE |
|-------------|----------|---------------|--------------------|--------------------|---|----------------------------------|----------------------|----------------------|
| ERM5 / ERF5 | 0.50 mm | 7-12 mm | 20-150 | Black LCP | Phosphor Bronze or BeCu (ERM5), BeCu (ERF5) | Au or Sn over 50 μ" (1.27 μm) Ni | -55 °C to +125 °C | Yes |
| ERM6 / ERF6 | 0.635 mm | 5 mm | 20-120 | | Copper Alloy | | | |
| ERM8 / ERF8 | 0.80 mm | 7-18 mm | 10-200 | | Phosphor Bronze or BeCu (ERM8), BeCu (ERF8) | | | |

(0.80 mm) .0315" PITCH • SHIELDED HIGH-SPEED HEADERS & SOCKETS

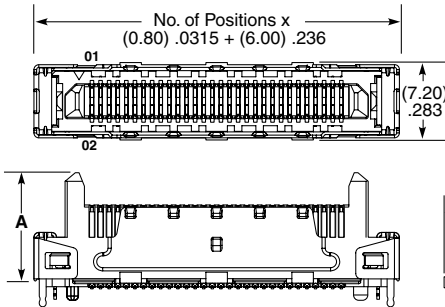
| TYPE | POSITIONS PER ROW | LEAD STYLE | PLATING OPTION | DV | OPTIONS | "X"R |
|------------------------------------|---|---|--|----|--|--|
| ERM8 = Shielded Terminal | -010, -020, -025, -030 | -02.0 = 2 mm (ERM8 with -S only) | -L = 10 μ" (0.25 μm) Gold on contact, Matte Tin on tail | | -S = Shield (Lead Styles: ERM8 -02.0 only; ERF8 -05.0 only) | -TR = Tape & Reel |
| ERF8 = Shielded Socket | | -05.0 = 5 mm (ERF8 with -S & ERM8 with -EGPS & -DSS only) | -S = 30 μ" (0.76 μm) Gold on contact, Matte Tin on tail | | -EGPS = Extended Guide Post Shield (Lead Styles: ERM8 -05.0 & -09.0 only; ERF8 -07.0 only) | -FR = Full Reel Tape & Reel (must order maximum quantity per reel; contact Samtec for quantity breaks) |
| | | -07.0 = 7 mm (ERF8 with -EGPS only) | | | -DSS = Differential Pair with Extended Guide Post Shield (ERM8 only, with -05.0 & -09.0 Lead Styles, -10 & -025 Pos. only) | |
| | | -09.0 = 9 mm (ERM8 with -EGPS & -DSS only) | | | -K = Polyimide Film Pick & Place Pad (-02.0 Lead Style N/A) | |
| | | | | | -P = Pick & Place Pad (ERM8 -02.0 & -05.0 Lead Styles only) | |

ERM8-S

Board Mates:

See "Mated Height" Chart

(Note: ERF8-S does not mate with ERM8-EGPS)



| LEAD STYLE | A | B |
|------------|--------------|--------------|
| -05.0 | (9.87) .389 | (10.81) .425 |
| -09.0 | (13.87) .546 | (14.81) .583 |

-S OPTION -EGPS OR -DSS OPTION

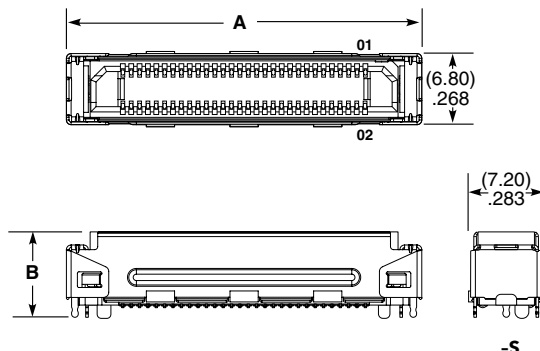
View complete specifications at: samtec.com?ERM8

ERF8-S

Board Mates:

See "Mated Height" Chart

(Note: ERM8-EGPS does not mate with ERF8-S)



| LEAD STYLE | B (-S) | B (-EGPS) |
|------------|-------------|-------------|
| -05.0 | (5.90) .232 | N/A |
| -07.0 | N/A | (7.42) .292 |

| POSITIONS PER ROW | A |
|-------------------|--------------|
| -010 | (18.00) .71 |
| -020 | (26.00) 1.02 |
| -025 | (30.00) 1.18 |
| -030 | (34.00) 1.34 |

-S

View complete specifications at: samtec.com?ERF8

Note:

Some lengths, styles and options are non-standard, non-returnable.