

MATERIAL NO.	ENGINEERING NO.	FINISHED LENGTH
1201080015	E11B03002M002	7.87IN (0.2M)

PART NO. MATRIX

E11B03002M002

FINISHED LENGTH
M002= 0.2 METER
M010= 1 METER
M150= 10 METER

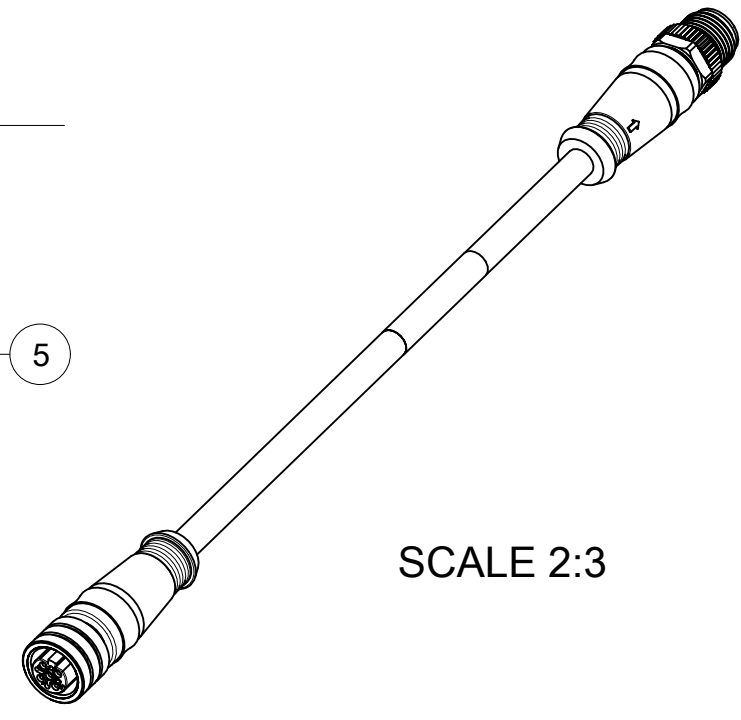
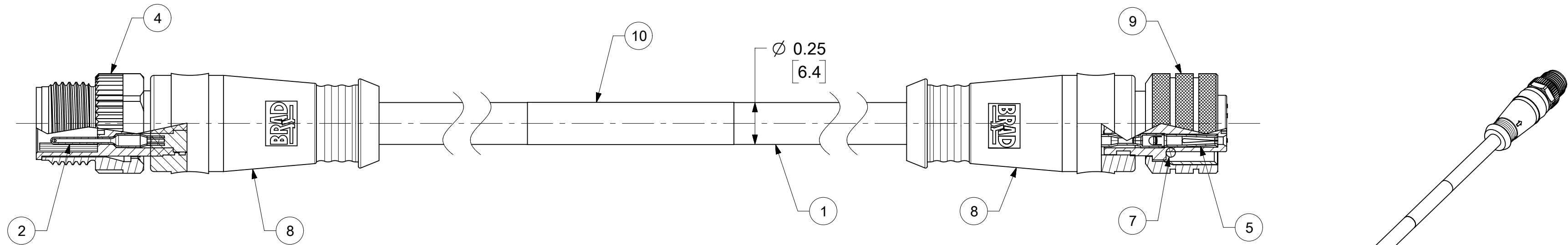
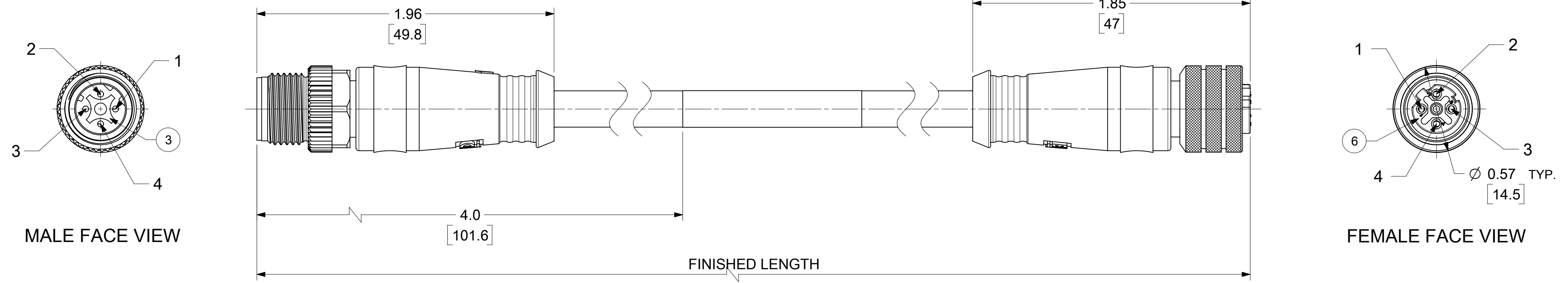
WIRING DIAGRAM

MALE		FEMALE
1	WHITE-ORANGE	2
2	WHITE-BLUE	1
3	ORANGE	4
4	BLUE	3

CABLE LENGTH TOLERANCES

<.3M [1FT]:	+19mm-0 [+ .75in-0]
.3 - .9M [1 - 3FT]:	+44.5mm-0 [+1.75in-0]
.9 - 1.8M [3 - 6FT]:	+55.6mm-0 [+2.19in-0]
1.8 - 3.7M [6 - 12FT]:	+88.9mm-0 [+3.50in-0]
3.7 - 7.3M [12 - 24FT]:	+165.1mm-0 [+6.50in-0]
7.3-14.6M [24 - 48FT]:	+317.5mm-0 [+12.50in-0]
14.6 - 30.5M [48-100FT]:	+622.3mm-0 [+24.50in-0]
OVER 30M [100FT]:	+2% OF FINISHED LENGTH

- NOTES:**
1. MATERIAL: AS NOTED
 2. FINISH: AS NOTED
 3. ELECTRICAL SPECIFICATIONS
VOLTAGE RATING: 125V
CURRENT RATING: 1.5A
 4. TEMP RANGE: -20°C TO +75°C
 5. PROTECTION: IP67 (WHEN MATED)
 6. UL FILE: E361772
 7. COUPLING NUT: M12 X 1.0
 8. ALL DIMS ARE FOR REFERENCE UNLESS TOLERANCED OR NOTED OTHERWISE



10	LABEL	VINYL	BLACK/WHITE
9	COUPLING NUT M12 FEMALE	BRASS	NICKEL
8	OVERMOLD	TPU	BLACK
7	O-RING	VITON	RED
6	INSERT D-CODE 4 POLE FEMALE	PUR	BLACK
5	CONTACT SOCKET	COPPER ALLOY	GOLD PLATED
4	COUPLING NUT M12 MALE	BRASS	NICKEL
3	INSERT D-CODE 4 POLE MALE	PUR	BLACK
2	CONTACT PIN	COPPER ALLOY	GOLD PLATED
1	CABLE, ETHERNET, 24-4	PVC JACKET	TEAL
ITEM	DESCRIPTION	MATERIAL	FINISH

FUNCTIONAL SYMBOLS	THIS DRAWING CONTAINS INFORMATION THAT IS PROPRIETARY TO MOLEX ELECTRONIC TECHNOLOGIES, LLC AND SHOULD NOT BE USED WITHOUT WRITTEN PERMISSION		CURRENT REV DESC: INITIAL RELEASE	
	DIMENSION UNITS	SCALE		
$\frac{F}{A} = 0$	INCH/MM	2:1		
DIVISIONAL SYMBOLS	GENERAL TOLERANCES (UNLESS SPECIFIED)			
		MM	INCH	
$\frac{F}{C} = 0$	4 PLACES	±	±	
$\frac{F}{P} = 0$	3 PLACES	±	±	
	2 PLACES	±	±	
	1 PLACE	±	±	
	0 PLACES	±	±	
	ANGULAR TOL	±	°	
DRAFT WHERE APPLICABLE MUST REMAIN WITHIN DIMENSIONS		THIRD ANGLE PROJECTION		DRAWING SERIES
		C-SIZE		120108

EC NO: 648668		2020/09/23	
DRWN: VBASUTHKARP		2020/11/11	
CHK'D: RSTONE		2020/11/18	
APPR: BWOODMAN			
INITIAL REVISION:			
DRWN: VBASUTHKARP		2020/09/23	
APPR: BWOODMAN		2020/11/18	

DOCUMENT NUMBER		DOC TYPE	DOC PART	REVISION
1201080015		PSD	000	A
MATERIAL NUMBER	CUSTOMER	SHEET NUMBER		
SEE TABLE	GENERAL MARKET	1 OF 1		