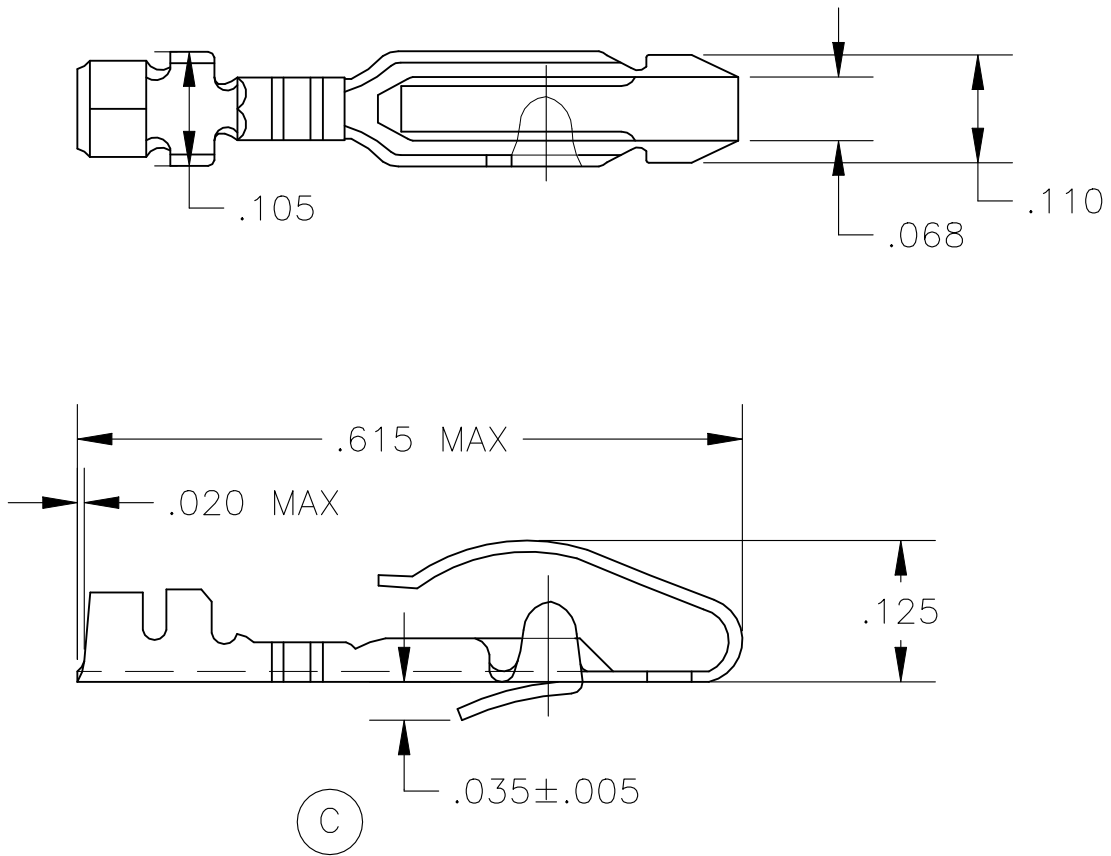


REVISIONS				
P	LTR	DESCRIPTION	DATE	APVD
E1		ECN-22-171534	30AUG2022	JO



- 66084-1 1. AS SHOWN
- 66084-2 1. SAME AS -1 EXCEPT:
2. TIN PLATED.
- 66084-3 1. SAME AS -1 EXCEPT:
2. GOLD PLATED.
- 5-66084-2 1. SAME AS -1 EXCEPT:
2. MATTE TIN PLATED.

TE Connectivity. All Rights Reserved.

©

DIMENSIONS: INCHES	DWN	-	MATERIAL	PHOS. BRONZE	FINISH	-
	CHK	-	TE Connectivity			
TOLERANCES UNLESS OTHERWISE SPECIFIED:	APVD	-				
	0 PLC	± -	AMP LEAF USED FOR DUMMY TERMINAL			
1 PLC	± -	PRODUCT SPEC	SIZE	CAGE CODE	DRAWING NO	RESTRICTED TO
2 PLC	± -	APPLICATION SPEC	A4	00779	C-66084	-
3 PLC	± .015	WEIGHT	CUSTOMER DRAWING			
4 PLC	± -		SCALE	5:1	SHEET	1 OF 1
ANGLES	± 1°				REV	E1