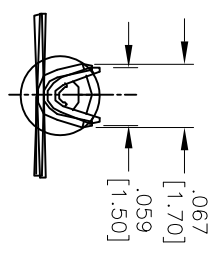
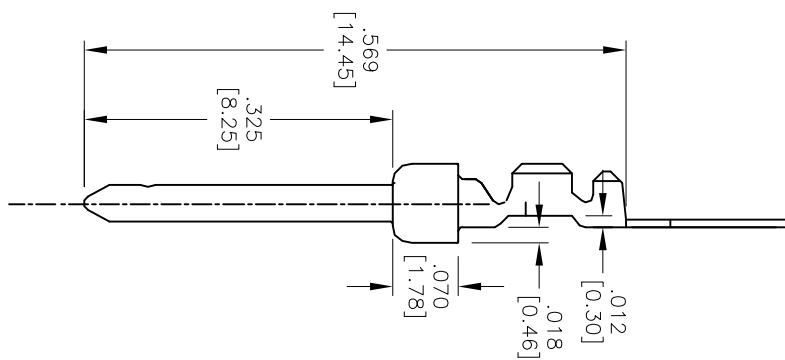
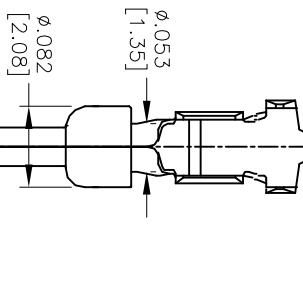
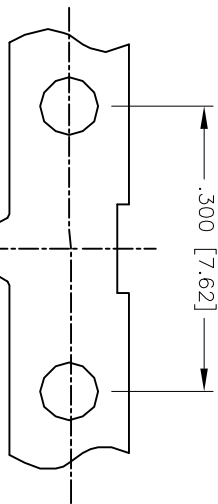


APPROVED: _____
 DATE: _____ TITLE: _____

Rev	AWO #	Description	Date	Appr
-		RELEASED	1/11/05	
A		REVISED LOW FEET DIM.	3/20/08	
B		REDRAWN	6/30/14	HR/QZL



SPECIFICATIONS:
 Material: Phosphor Bronze
 Contact: Phosphor Bronze
 Plating: Gold flash over Nickel underplate overall
 Electrical:
 Operating voltage: 250 VAC max
 Current rating: 3 Amps max
 Contact resistance: 20 mohms max initial
 Mechanical:
 Recommended wire range: 24-28 AWG
 Temperature Rating:
 Operating temperature: -55°C to +105°C
 Packaging:
 B = Loose Cut
 R = Tape and Reel
 Environmental:
 Lead free, RoHS compliant



UNLESS OTHERWISE SPECIFIED
 ALL DIMENSIONS ARE IN INCHES [MM]
 TOLERANCES: EXCEPT AS NOTED
 INCHES: .X ± .10 ØXX ± .10
 .XX ± .020 ØXXX ± .015
 .XXX ± .015
 APPROVALS: _____ DATE: _____

DRAWN	SS	1/11/05
CHECKED		
APPROVED		

ADAM TECH
 909 Rahway Avenue, Union, NJ 07083
 Phone: 908-687-5000 Fax: 908-687-5710

TITLE	D-SUB PLUG CONTACT, 24-28 AWG GOLD FLASH	
SIZE	PART NO.	DCP-01-X
REF:	SCALE:	NTS
SHEET	1	OF 1
REV.	B	