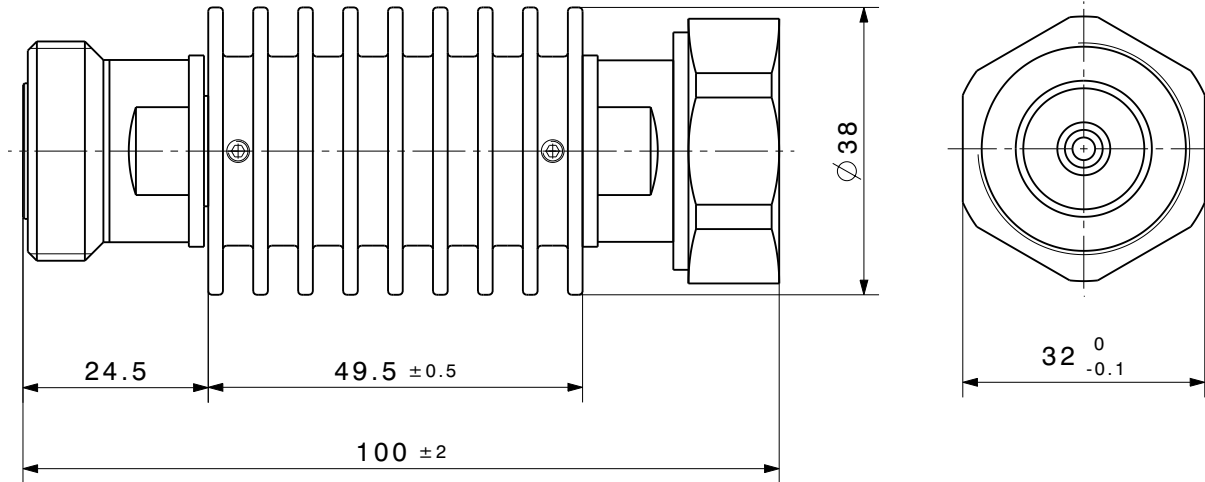


Types:
5903.41.0001
5906.41.0001



Type:	All dimensions after treatment in millimeter (mm)		
Assembly drawing	Released date: 31.10.2022	alternative ID	3D-ID PRO-01168069 A Sheet: 1 / 1
	description	ID	Release
	Attenuator	DOU-01168070	A