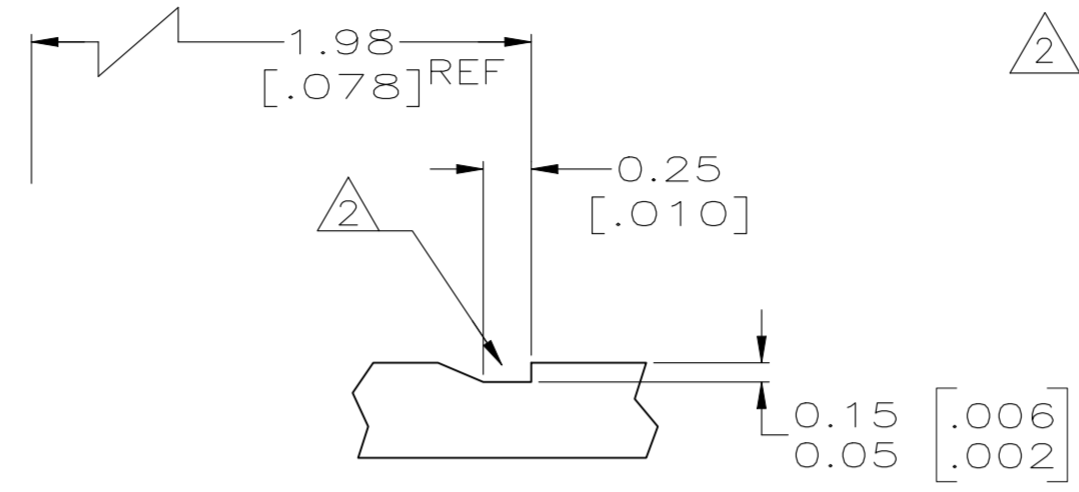
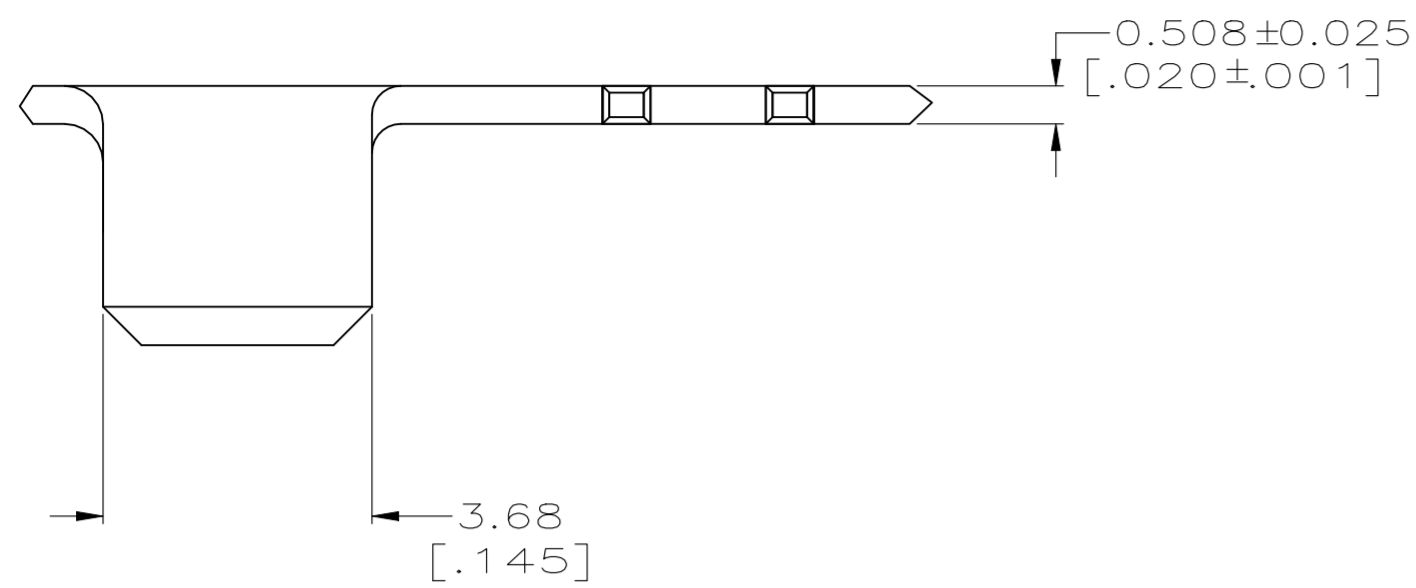


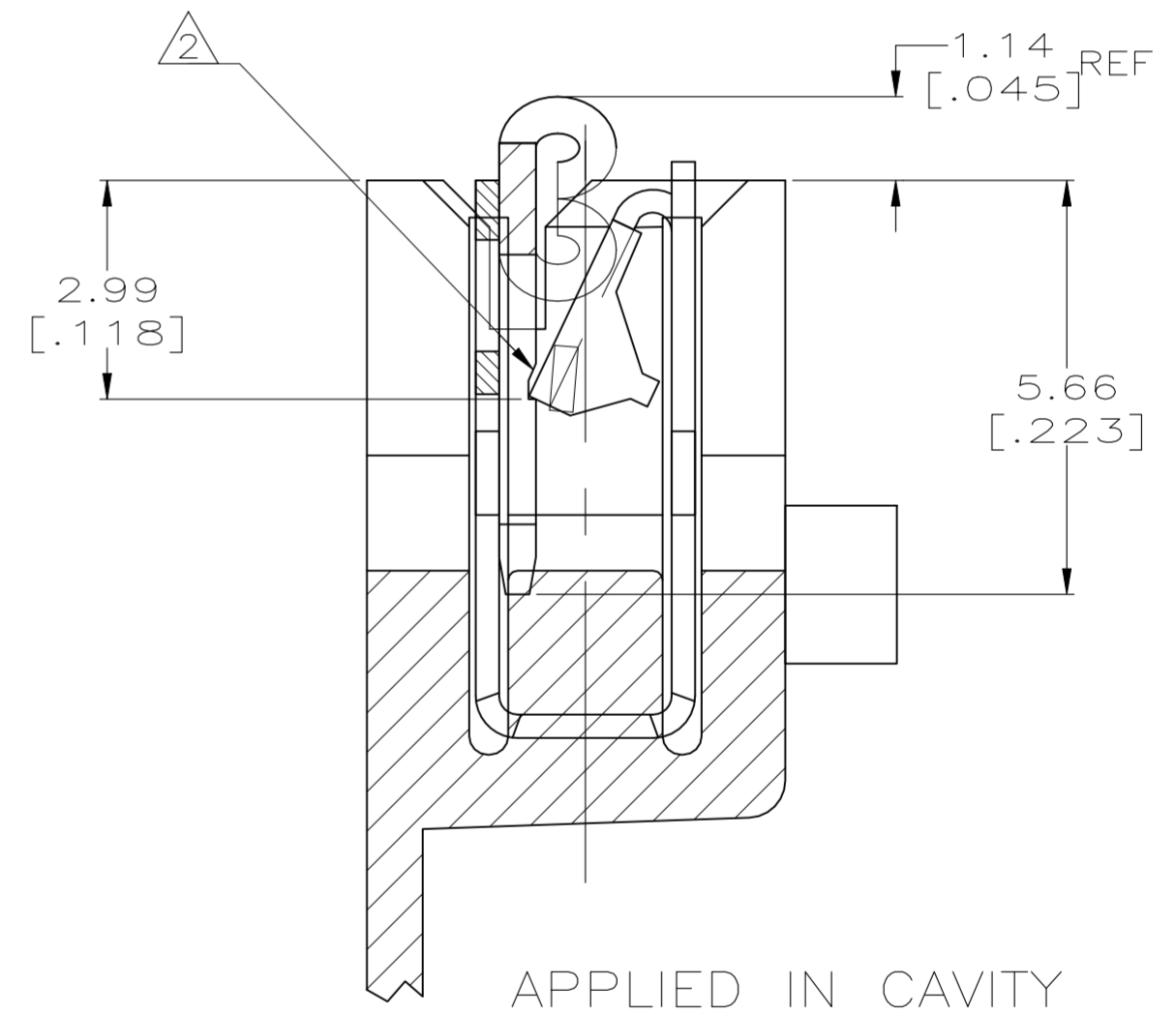
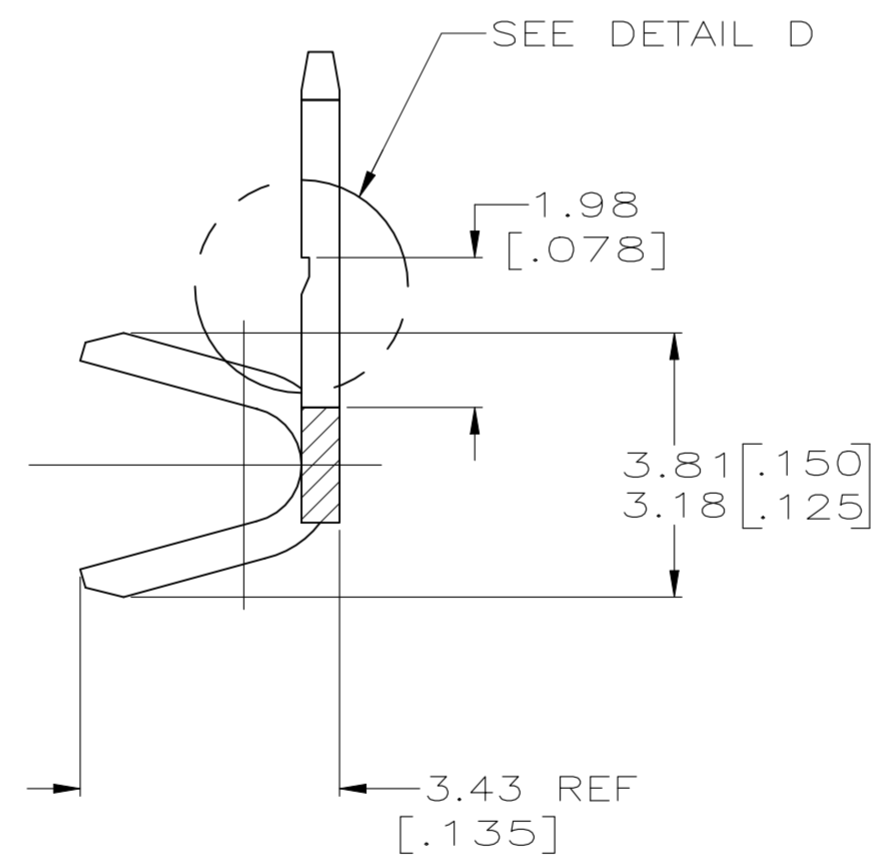
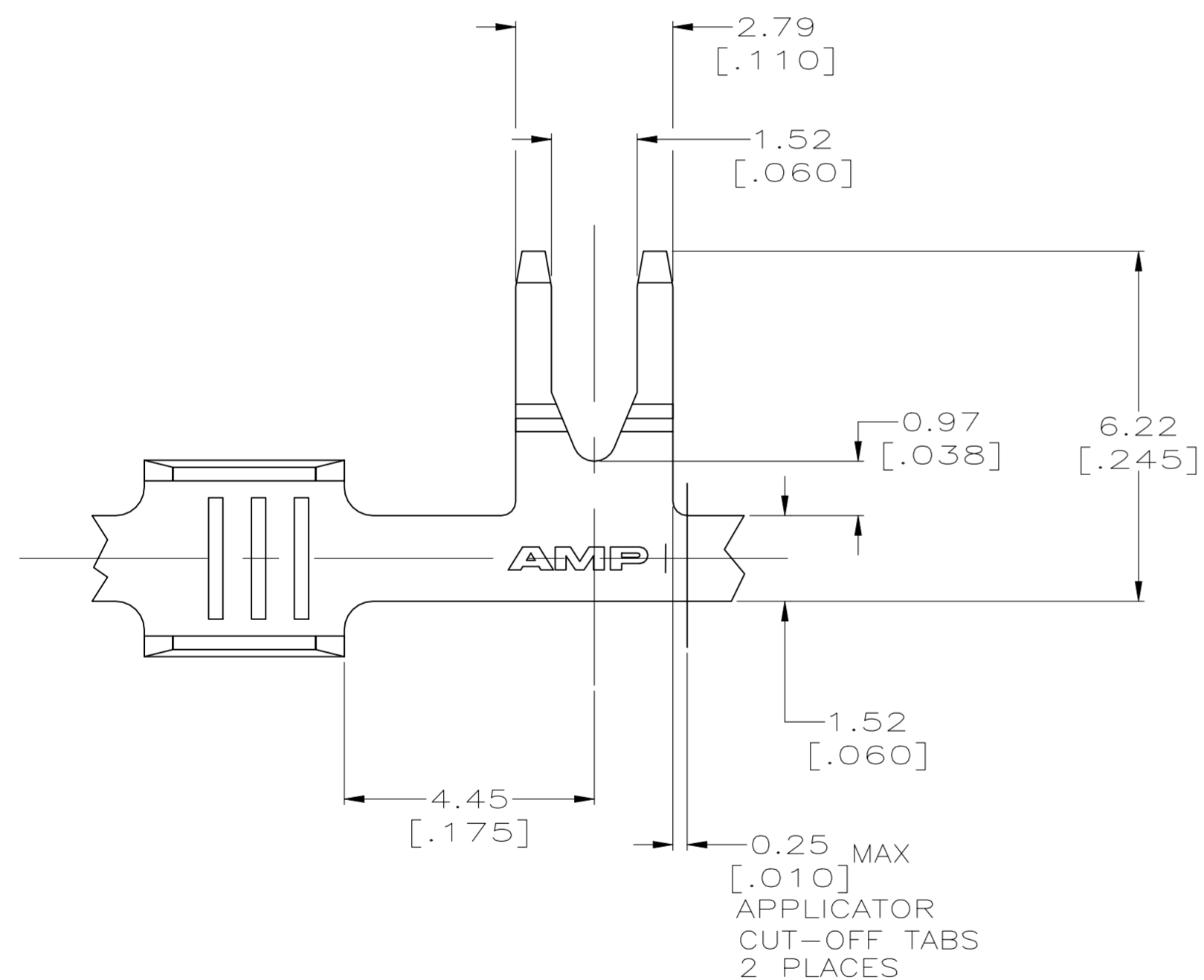
THIS DRAWING IS UNPUBLISHED. RELEASED FOR PUBLICATION
 © COPYRIGHT - By - ALL RIGHTS RESERVED.

LOC		DIST		REVISIONS			
P	LTR	DESCRIPTION		DATE	DWN	APVD	
AF	50	D4	REVISED PER ECR-23-172581		20APR2023	PC	TD

- 1 CONTINUOUS STRIP ON REELS.
- 2 FOR OPTIMUM RETENTION IN POKE-IN MAG-MATE TERMINALS, THE SERRATION, MUST BE ENGAGED WITH THE EDGE OF THE LEAF.



D DETAIL
 SCALE 25:1
 ROTATED 90° CW



STRIP LENGTH	TYPE	WIDTH	HEIGHT	WIRE
4.32 [.170]	F	2.79 [.110]	1.75 [.069]	1.3mm ² [16]
±0.38			±0.51 [±.002]	0.8mm ² [18]
±0.15			1.50 [.059]	0.5mm ² [20]

WIRE BARREL CRIMP

REVERSE	0.5-1.4mm ² [#20-#16] AWG	1217406-2
STANDARD	0.5-1.4mm ² [#20-#16] AWG	1217406-1
REELING	WIRE RANGE	PART NUMBER

THIS DRAWING IS A CONTROLLED DOCUMENT.

DWN MICHAEL S. FEHER 08MAY2000	 TE Connectivity
CHK KURT A. RANDOLPH 08MAY2000	
APVD KURT A. RANDOLPH 08MAY2000	
NAME PRODUCT SPEC	
108-22045	TAB, RIGHT ANGLE, POKE-IN, MAG-MATE
114-2050	SIZE CAGE CODE DRAWING NO RESTRICTED TO
WEIGHT -	A2 00779 C=1217406 -
CUSTOMER DRAWING	SCALE 10:1 SHEET 1 OF 1 REV D4