

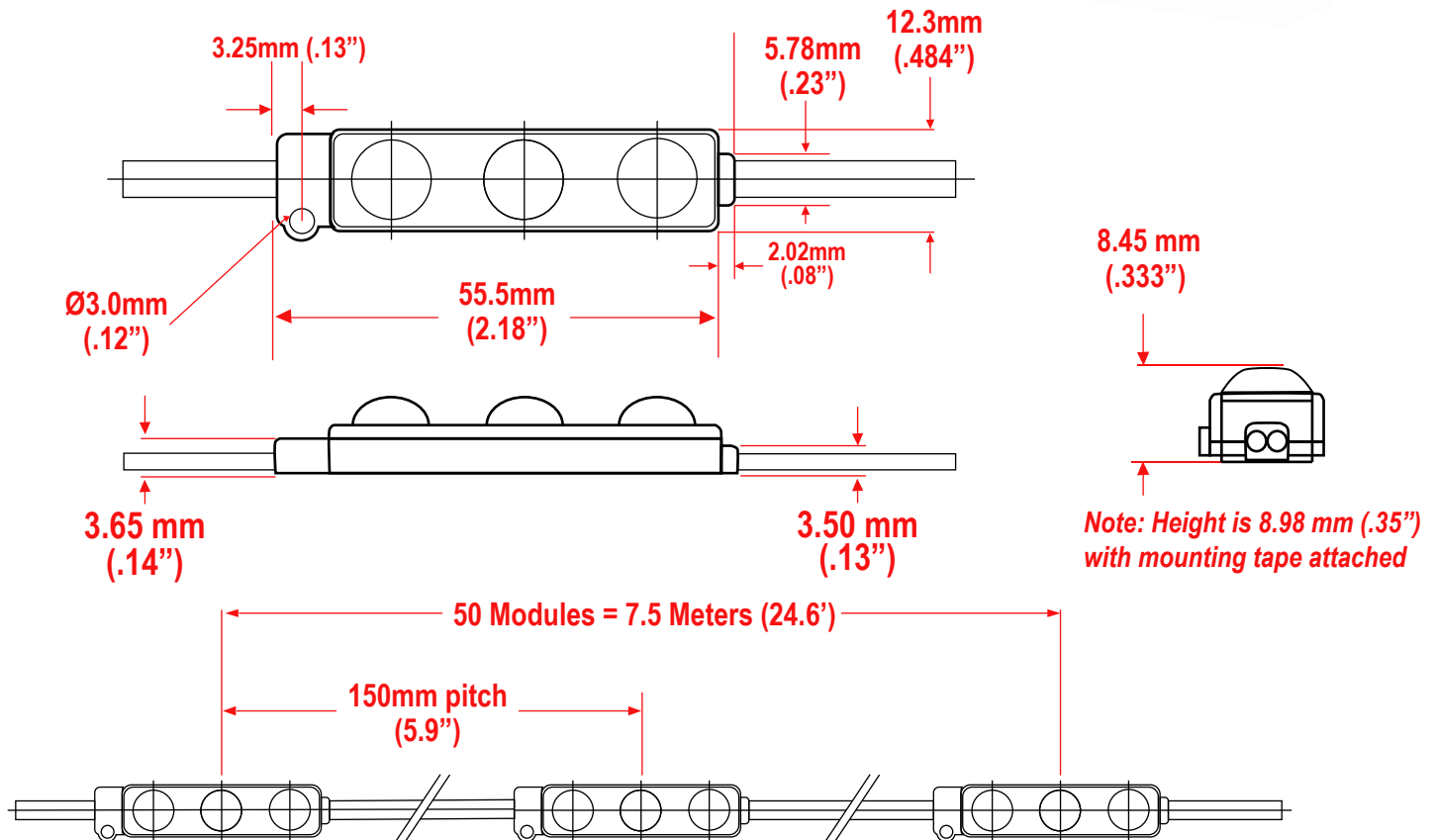
FEATURES

- 12VDC
- IP67
- 50,000 Life Hours/5 Year Warranty
- 115 lm/W High Efficacy
- Operating Temperature -20°C to +70°C
- 170° Wide Beam
- 50 Modules per Strand

170° WIDE BEAM HIGH-OUTPUT LED CHANNEL for SMALL/MEDIUM CHANNEL LETTERS and SIGN BOXES



12.6mm (.496") edge to edge
10mm (.393") edge to center hole



Note: Height is 8.98 mm (.35") with mounting tape attached

NOTES:

- Mounting can be accomplished with double sided tape that is on the backside of modules. Screw holes are also present. Wire with Red Stripe is Positive Input.
- Use no more than 50 modules in series.
- Take care to prevent exposed wire on the ends.



JKL Part Number	Input Voltage	Power per Module	CCT	Beam Angle	CRI	Lumen Flux per Module	Lumen Efficacy	No. Modules Per Pack
ZM-333-CW	12V DC	0.66W	6500° K	170°	Ra80	76 lm	115 lm/W	50 pc/24.6' (7.5 Meters)

		METRIC THIRD ANGLE PROJECTION		DIMENSIONS ARE IN mm (INCHES) TOLERANCE UNLESS OTHERWISE SPECIFIED 1 PL +/- REF. 2 PL +/- REF. ANGLE +/-		JKL COMPONENTS CORPORATION TITLE WIDE BEAM COOL WHITE LED CHANNEL MODULE				
B	CORRECTED DIMENSIONS	5/16/23	DRAWN BY	APP'VD BY	DATE	SIZE	FSCM NO.	DRAWING NO.		
A	ADDED DIMENSIONS	3/3/22	S Newton	JV	5/10/23	A	55335	ZM-333-CW		
	Released	9/14/19								
REV. NO.	DESCRIPTION/ECO NUMBER	APP'VD DATE				SCALE	RELEASED DATE	REVISION	REV. NO	SHEET
						NONE	9/14/19	5/16/23	B	1 OF 1