

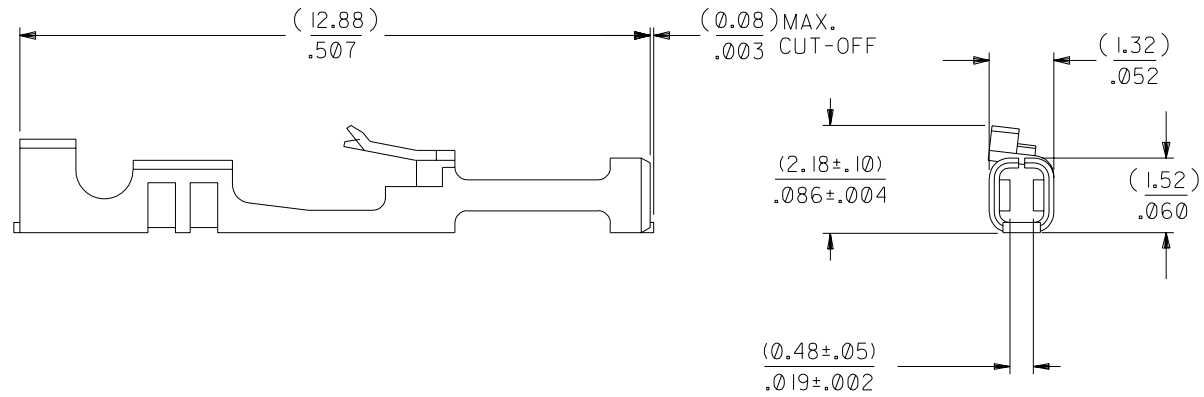
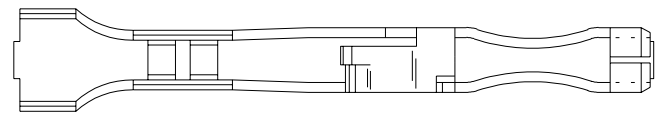
NOTES:

1. TERMINAL TO BE USED IN HOUSINGS 70066-**** AND 70450-****
2. REFER TO PRODUCT SPECIFICATION PS-71851
3. REFER TO MOLEX OPERATIONS AND SERVICE MANUAL FOR CRIMP DETAILS
4. TERMINAL TO BE USED WITH (0.64)/.025 SQUARE PINS
5. TERMINAL TO BE USED WITH 24-30 AWG STRANDED WIRE WITH (1.52)/.060 MAX. DIA. INSULATION
6. TERMINALS SUPPLIED IN REEL FORM

PLATING:

.000030 MINIMUM GOLD PLATE IN SELECT AREA WITH .000075 MINIMUM TIN PLATE IN SELECT AREA OVER NICKEL PLATE OVERALL

*THE PRIMARY SHIPPING CARTON WILL BE LABELED "COMPLIANT TO RoHS DIRECTIVE 2002/95/EC AND ELV ANNEX II OF DIRECTIVE 2000/53/EC". CARTONS WITHOUT THIS LABEL MAY CONTAIN PRODUCT WITH LEAD.



F
E
D
C
B
A

| | | | |
|------|--|------|---|
| | | CI | REVISED ECR #U80270 MCGRATH 97/07/31 |
| | | C | REVISE PER ECR# U82219 11-07-88 MJM/MGB |
| D | LEAD FREE UCP2004-1769 RWHITE 04/03/24 | B | REVISE PER ECR #U80064 3/25/88 MJM |
| LTR. | REVISIONS | LTR. | REVISIONS |

| | |
|--|--------------------|
| DIMENSIONS SHOWN (METRIC) INCH | |
| UNLESS OTHERWISE SPECIFIED TOLERANCES: ANGULAR ± 1/2° | |
| | INCH METRIC |
| 3 PLACE | ± .010 --- |
| 2 PLACE | ± .014 ± 0.25 |
| 1 PLACE | --- ± 0.35 |
| DRAFT WHERE APPLICABLE MUST REMAIN WITHIN DIMENSIONS | |
| DRWG. BY: MJM | CHK'D. BY: MJM |
| APP'D. BY: WAZ | SCALE: 10:1 |

| | | | |
|---|--|---------------------------|-------------------|
| ▽ = 0 | ▼ = 0 | REVISE ONLY ON CAD SYSTEM | |
| TITLE TERMINAL-BOX/CRIMP HIGH FORCE CONTACT | | | |
| MOLEX INCORPORATED LISLE, ILL. 60532 U.S.A. | | SHEET NO. 1 | DATE 03/25/88 |
| PART NO. 016-02-1113 | | DRWG. NO. SD-71851-0008 | |
| FILE NAME S71851X25 | THIS DRAWING CONTAINS INFORMATION THAT IS PROPRIETARY TO MOLEX INC. AND SHOULD NOT BE USED WITHOUT WRITTEN PERMISSION. | | DIV. DA SIZE B |